

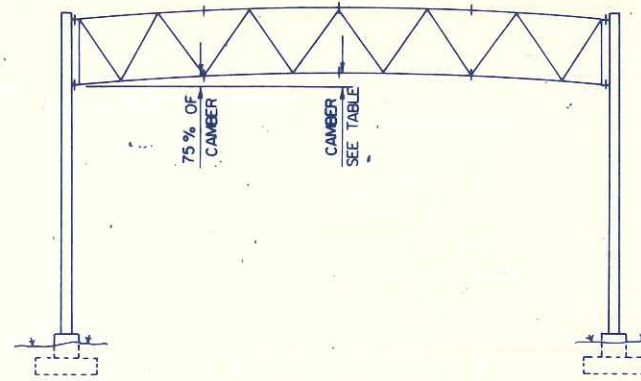


SIMPLE SPAN TRUSS TYPE-A CAMBER								
SPAN	40'	50'	60'	70'	80'	90'	100'	110'
CAMBER	1/4"	3/8"	1/2"	5/8"	3/4"	7/8"	1 1/8"	1 1/4"
D.L. DEFLECTION	0"	1/16"	1/8"	3/16"	1/4"	5/16"	3/8"	7/16"
RESIDUAL CAMBER	1/4"	3/8"	1/2"	5/8"	3/4"	7/8"	1 1/8"	1 1/4"

SIMPLE SPAN TRUSS TYPE-B CAMBER										
SPAN	40'	50'	60'	70'	80'	90'	100'	110'	120'	130'
CAMBER	1/4"	3/8"	1/2"	5/8"	3/4"	7/8"	1 1/8"	1 1/4"	1 5/8"	2 1/8"
D.L. DEFLECTION	0"	1/16"	1/8"	3/16"	1/4"	5/16"	3/8"	7/16"	1/2"	5/8"
RESIDUAL CAMBER	1/4"	3/8"	1/2"	5/8"	3/4"	7/8"	1 1/8"	1 1/4"	1 5/8"	2 1/8"

SIMPLE SPAN TRUSS TYPE-C CAMBER														
SPAN	40'	50'	60'	70'	80'	90'	100'	110'	120'	130'	140'	150'		
CAMBER	1/4"	3/8"	1/2"	5/8"	3/4"	7/8"	1 1/8"	1 1/4"	1 5/8"	2 1/8"	2 5/8"	3 1/4"		
D.L. DEFLECTION	0"	1/16"	1/8"	3/16"	1/4"	5/16"	3/8"	7/16"	1/2"	5/8"	1 1/16"	1 1/2"		
RESIDUAL CAMBER	1/4"	3/8"	1/2"	5/8"	3/4"	7/8"	1 1/8"	1 1/4"	1 5/8"	2 1/8"	2 5/8"	3 1/4"		

NOTE:  
CAMBER AND DEFLECTIONS SHOWN ARE AT  $\frac{1}{2}$  SPAN.  
THE DEFLECTIONS AND CAMBER AT THE QUARTER POINTS  
SHALL BE APPROXIMATELY 75% OF THESE VALUES.



SIMPLE SPAN  
NOT TO SCALE

TRUSS QUANTITIES ①		
TRUSS TYPE A	TRUSS TYPE B	TRUSS TYPE C
123 LBS./FT.	168 LBS./FT.	196 LBS./FT.

NOTE ①  
USE LENGTH FROM  $\frac{1}{2}$  POST WHEN CALCULATING  
TOTAL WEIGHTS.

PANEL MOUNTING POST QUANTITIES ④	
PANEL HEIGHT	WEIGHT/POST
7'-0"	74
7'-6"	78
8'-0"	82
8'-6"	86
9'-0"	90
9'-6"	93
10'-0"	97
10'-6"	101
11'-0"	105

④ INCLUDES MOUNTING CLIP ANGLES  
AND CAST STEEL CLAMPS.

WALKWAY SUPPORT QUANTITIES			
PANEL HEIGHT ②	TRUSS TYPE (WEIGHT/SUPPORT)		
	A	B	C
7'-0"	96	101	110
7'-6"	98	103	112
8'-0"	100	105	114
8'-6"	102	107	116
9'-0"	104	109	118
9'-6"	106	111	120
10'-0"	108	113	122
10'-6"	110	115	124
11'-0"	112	117	126

NOTE ②  
USE MAXIMUM PANEL HEIGHT ON STRUCTURE  
TO CALCULATE QUANTITIES.

POST QUANTITIES ③			
POST TYPE	QUANTITY	POST TYPE	QUANTITY
1	1934+118 LBS./FT.	11	2929+217 LBS./FT.
2	1936+137 LBS./FT.	12	3371+224 LBS./FT.
3	2137+149 LBS./FT.	13	3658+278 LBS./FT.
4	2464+172 LBS./FT.	14	1716+123 LBS./FT.
5	2764+194 LBS./FT.	15	1907+161 LBS./FT.
6	2810+229 LBS./FT.	16	2014+176 LBS./FT.
7	3282+279 LBS./FT.	17	2375+232 LBS./FT.
8	2222+157 LBS./FT.	18	2760+239 LBS./FT.
9	2490+176 LBS./FT.	19	3179+293 LBS./FT.
10	2601+188 LBS./FT.		

NOTE ③  
INCLUDES ANCHORAGE ASSEMBLY.

WALKWAY GRATING-30LBS./FT.  
INCLUDES HANDRAIL (8LBS./FT.) AND  
FIXTURE MOUNTING CHANNELS (4LBS./FT.)

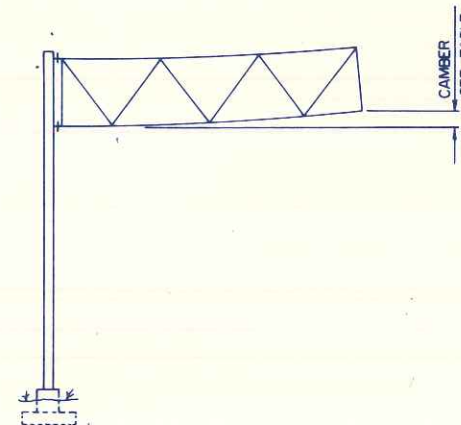
NOTE:  
FOR FOUNDATION QUANTITIES SEE DRAWING ST.3.

CANTILEVER SPAN TRUSS TYPE-A CAMBER				
SPAN	15'	20'	30'	45'
CAMBER	1/8"	1/4"	3/8"	1 1/4"
D.L. DEFLECTION	0"	0"	1/16"	1/4"
RESIDUAL CAMBER	1/8"	1/4"	3/8"	1 1/4"

CANTILEVER SPAN TRUSS TYPE-B CAMBER						
SPAN	15'	20'	30'	40'	50'	70'
CAMBER	3/16"	1/4"	5/16"	1"	1 5/8"	3 1/8"
D.L. DEFLECTION	0"	0"	1/16"	1/8"	5/16"	1 5/16"
RESIDUAL CAMBER	3/16"	1/4"	5/16"	1"	1 5/8"	3 1/8"

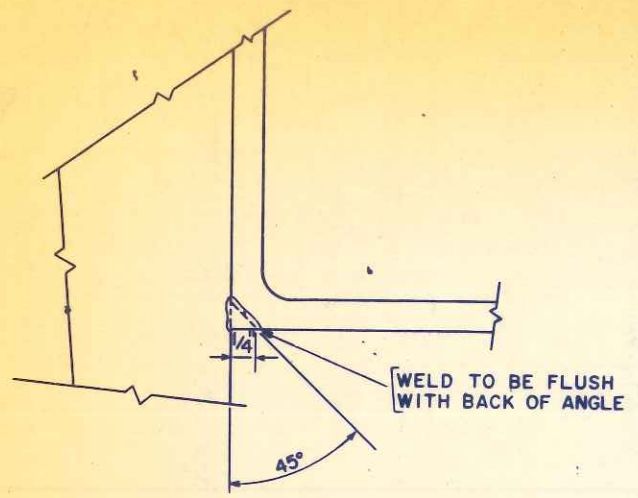
CANTILEVER SPAN TRUSS TYPE-C CAMBER						
SPAN	15'	20'	30'	40'	50'	70'
CAMBER	1/8"	1/4"	5/8"	1 1/16"	2 3/8"	3 3/4"
D.L. DEFLECTION	0"	0"	1/16"	1/8"	5/16"	1 1/4"
RESIDUAL CAMBER	1/8"	1/4"	5/8"	1 1/16"	2 3/8"	3 3/4"

NOTE:  
CAMBER AND DEFLECTIONS ARE  
SHOWN AT END OF CANTILEVER.  
WHEN ERECTING CANTILEVER  
TRUSSES, THE POSTS SHALL BE SET  
1/8 PER FOOT OUT OF PLUMB TO  
COMPENSATE FOR THE BENDING OF  
THE POST.

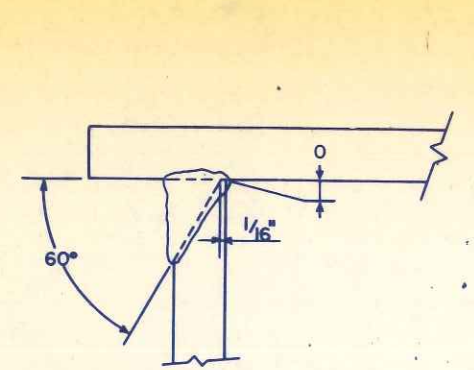


CANTILEVER SPAN  
NOT TO SCALE

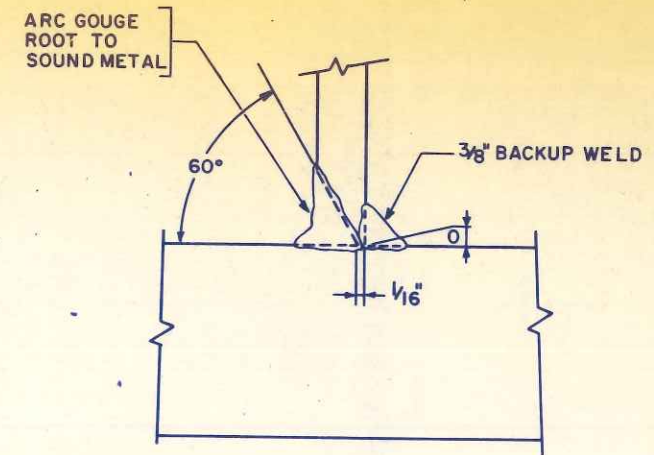




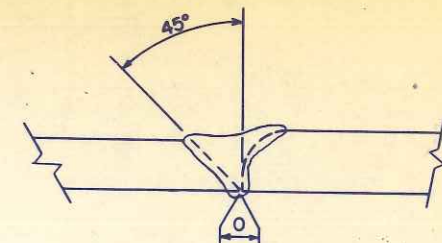
**WELD DETAIL R**  
DRAWING ST 10



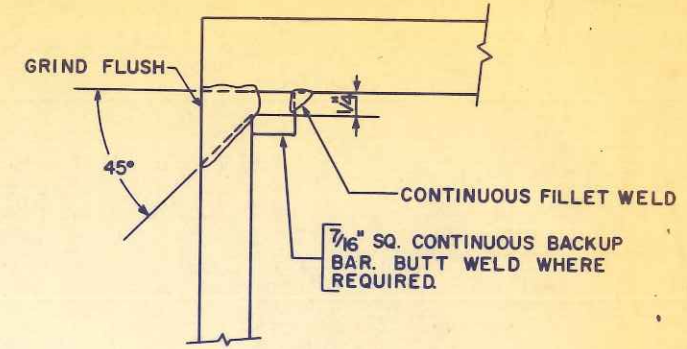
**WELD DETAIL S**  
DRAWING ST 9



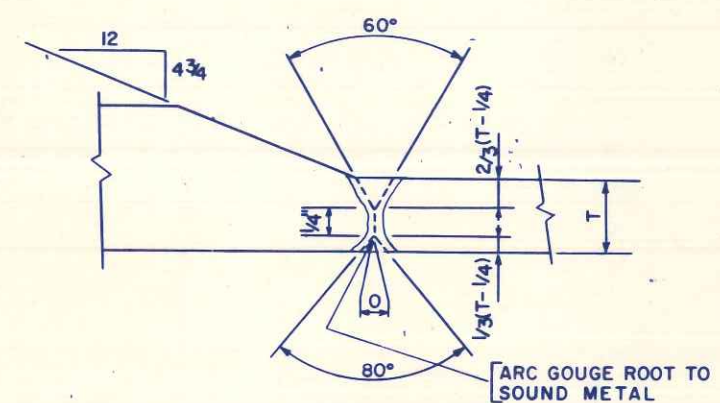
**WELD DETAIL T**  
DRAWING ST 6,7 & 8



**WELD DETAIL U**  
DRAWING ST 5

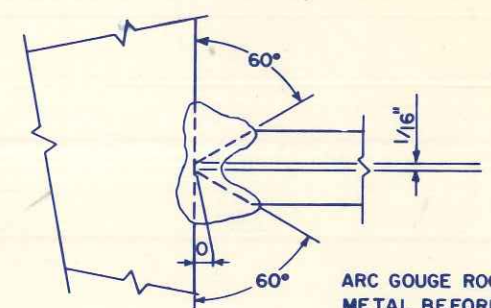


**WELD DETAIL V**  
DRAWING ST 4



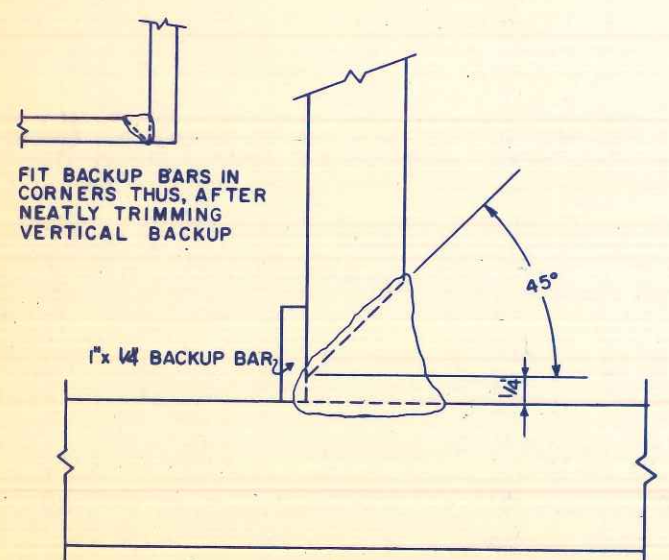
**WELD DETAIL X**  
DRAWING ST 4

NOTE: GRIND FLUSH BOTH SIDES

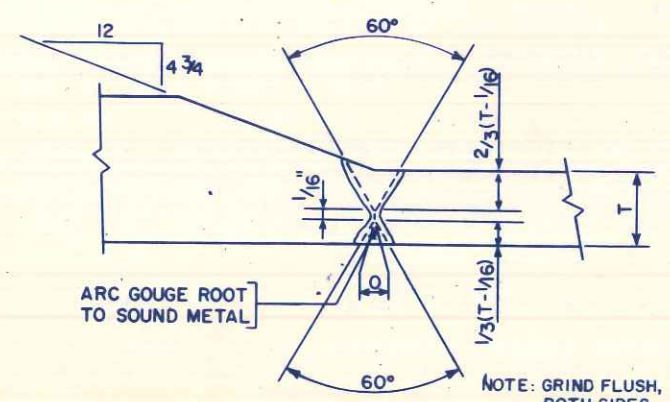


**WELD DETAIL Y**  
DRAWING ST 4 & 9

NOTES:  
POST PLATE BUTT WELDS TO BE GROUND, RADIOGRAPHED (RT) AND ACCEPTED UNDER MN/DOT 2471.3J444 BEFORE FITTING OF POST.  
ULTRASONIC TESTING (UT) PER MN/DOT 2471.3J444 WHERE INDICATED. VERTICAL POST WELDS TO BE TESTED 15% PER WELD PLUS CUMULATIVE LENGTHS OF UNACCEPTABLE DEFECTS. INCLUDE 12" AT ENDS OF WELD. TESTING TO BE WITNESSED BY MHD INSPECTOR. ONE REPORT PER POST OR TRUSS SECTION PER AWS D2.0-68, FIG C-6.



**WELD DETAIL Z**  
DRAWING ST 4



**WELD DETAIL XM**  
DRAWING ST 4  
ALTERNATE FOR SHIELDED METAL-ARC

NOTE: GRIND FLUSH, BOTH SIDES