

SIGNING PLAN INDEX

SHEET NO.	DESCRIPTION
ST1	TITLE SHEET
ST2	TABULATIONS
ST3	ROADWAY LAYOUTS
ST4	PANEL LAYOUTS
ST5	STRUCTURE ELEVATIONS

PERMANENT SIGNING SUMMARY					(A)	ST
TAB	SHEET NO	ITEM NO	ITEM	UNIT	TOTAL SIGNING QUANTITIES	
ST-D	ST2	2104.502	REMOVE I BEAM SIGN	EACH	1	
ST-D	ST2	2546.608	STRUCTURAL STEEL - I-BEAM SIGN (P)	POUND	1878	
ST-C	ST2	2546.608	STRUCTURAL STEEL - PANEL MOUNTING POST (P)	POUND	42	
ST-C	ST2	2564.618	SIGN PANEL OVERLAY	SQ FT	182.75	
ST-C	ST2	2564.618	EXTRUDED PANEL	SQ FT	182.75	

(P) DENOTES PLAN QUANTITY

ABBREVIATIONS

BR-SN	BRIDGE MOUNTED STREET NAME
BR-MG	BRIDGE MOUNTED MINOR GUIDE
CR	CONCRETE RAIL - POST TYPE
MA	MAST ARM
R	ROUND POST
SQ	SQUARE TUBE
U	U CHANNEL

SIGNING LEGEND

	SIGN
	SIGN BACK TO BACK
	I-BEAM SIGN
	SIGN ON LIGHT POLE
	SIGN ON ROUND POST
	SIGN ON ROUND POST BACK TO BACK
	MAST ARM
	CANTILEVER
	SIGN BRIDGE
	BRIDGE MOUNTED OH SIGN
	CONCRETE RAIL STRUCTURE
	INPLACE RIGHT OF WAY

THIS EXAMPLE ASSUMES THAT THE SIGNING PLAN IS A SUBSET OF A LARGER CONSTRUCTION PLAN. STANDARD PLAN SHEETS RELATED TO THE SIGNING ARE LISTED HERE, BUT THE ACTUAL SHEETS ARE INCLUDED IN THE STANDARD PLANS SECTION OF THE LARGER CONSTRUCTION PLAN.

(A) 80% FEDERAL, 20% STATE FUNDS

STANDARD PLANS	
NUMBER	DESCRIPTION
5-297.710	EXTRUDED PANEL MOUNTING DETAILS (4 SHEETS)
5-297.711	I-BEAM SUPPORTED SIGN STRUCTURE DETAILS - FOOTING AND BASE CONNECTIONS (2 SHEETS)

GENERAL INFORMATION:

1. MOUNTING HEIGHT IS MINIMUM (WITH A + 6 INCH TOLERANCE)
2. SEE CURRENT MNDOT STANDARD SIGNS AND MARKINGS MANUAL FOR STANDARD SIGN DESIGNS, SPLICE PLATES, STRINGERS AND PUNCHING CODES.
3. SEE PANEL LAYOUTS FOR SIGNS WITH PANEL CODES THAT BEGIN WITH THE LETTER "P" (P1, P2 ETC.).
4. SEE STANDARD PLANS AND DETAILS FOR SIGN STRUCTURE INSTALLATION AND PLACEMENT.

I HEREBY CERTIFY THAT SHEETS ST1-ST5 WERE PREPARED BY ME OR UNDER MY DIRECT SUPERVISION AND THAT I AM A DULY LICENSED PROFESSIONAL ENGINEER UNDER THE LAWS OF THE STATE OF MINNESOTA.

PRINT NAME: LICENSE #

DATE: 5/6/2022 SIGNATURE:

DESIGN SQUAD

TITLE SHEET SIGNING

BY:	DATE:	REVISIONS

PLOTTED/REVISED: 6-MAY-2022

I/PLOT NAME: tabs
 PATH & FILENAME: OTS\TS\Signing\Training\FREEWAY CLASS 202N Beam_Example\tabs.dgn

PANEL OVERLAY, EXTRUDED PANEL AND PANEL MOUNTING POST								ST-C			
SIGN SUPPORT NUMBER	PANEL NUMBER	PANEL OVERLAY		EXTRUDED PANELS		PANEL MOUNTING POSTS					
		PANEL LEGEND	SIGN PANEL OVERLAY		F. & I. EXTRUDED PANEL		NO.	TYPE	LENGTH	STRUCTURAL STEEL-PANEL MOUNTING POST	
			INCH	SQ FT	INCH	SQ FT					INCH
IB US24-019	EP-1	EXIT 46		96 x 30	20	96 x 30	20	2	U	84	42
	IB US24-019	MARICOPA COUNTY 45 CLEVELAND ST R 45 DEGREE		186 x 126	162.75	186 x 126	162.75				
TOTAL					182.75		182.75				42

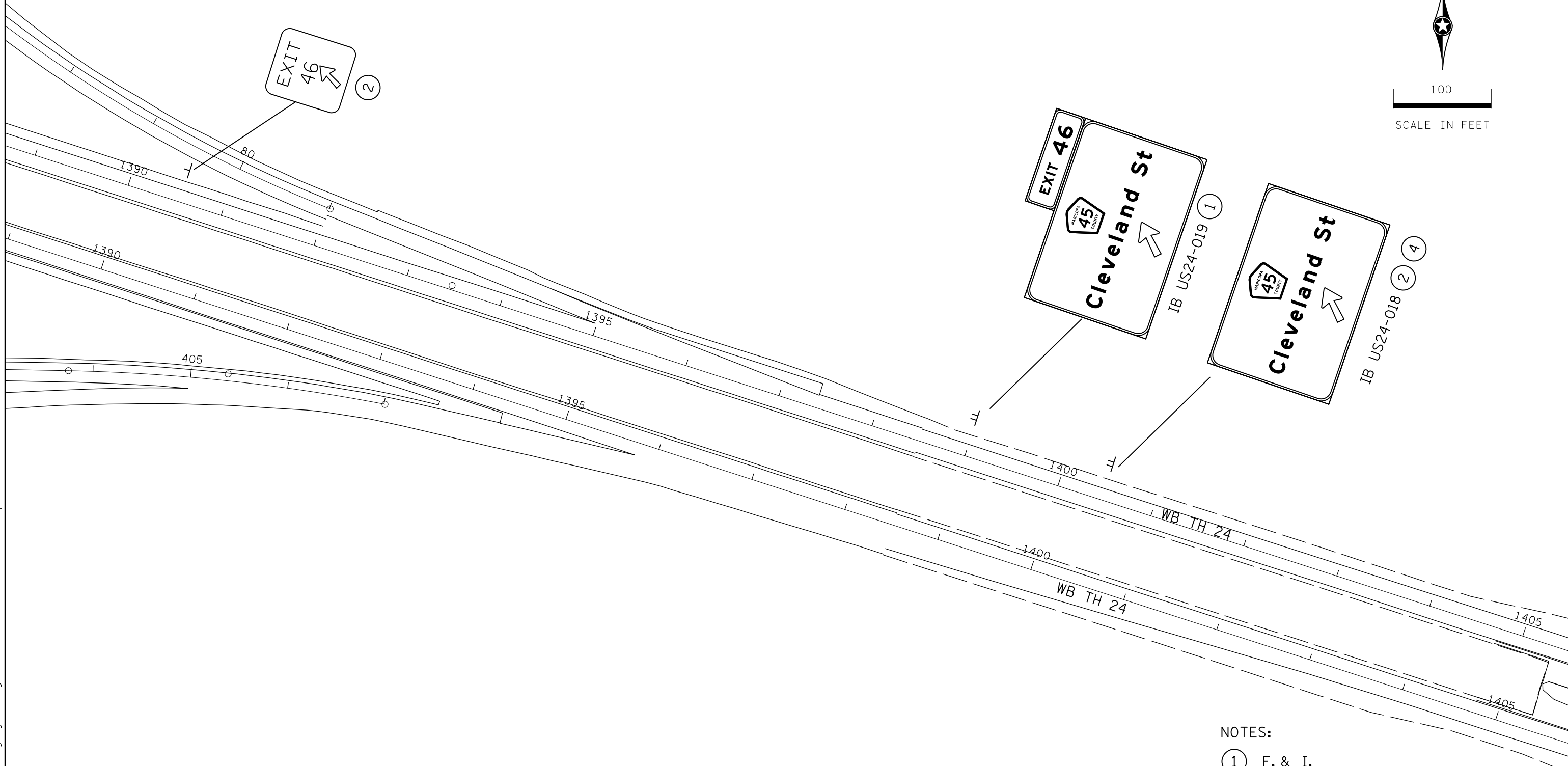
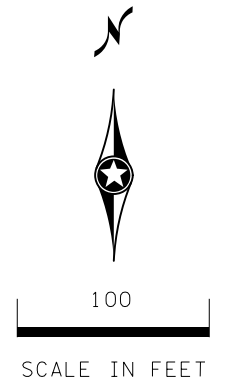
I-BEAM, MONOTUBE AND OVERHEAD SIGN STRUCTURE QUANTITIES		ST-D
SIGN SUPPORT NUMBER	REMOVE I-BEAM SIGN	STRUCTURAL STEEL-I-BEAM SIGN
	EACH	POUND
IB MN24-018	1	
IB MN24-019		1878
TOTAL	1	1878

GENERAL NOTE(S):
 1. QUANTITIES SHOWN ARE APPROXIMATE BASED UPON ELEVATIONS AND DIMENSIONS SHOWN IN SIGNING STRUCTURE ELEVATIONS. FABRICATIONS DEPENDENT ON THESE ELEVATIONS SHALL NOT BE STARTED UNTIL THE ENGINEER HAS MADE FINAL DETERMINATION OF THEM IN THE FIELD.
 2. SEE STRUCTURE ELEVATIONS SHEETS FOR DETAILS.

BY: _____	DATE: _____	REVISIONS:	CERTIFIED BY _____	LIC. NO. _____	DATE <u>5/6/2022</u>	TABULATIONS SIGNING
			DRAWN BY: _____	CHECKED BY: _____	S.A.P. NO. _____	

PLOTTED/REVISED: 6-MAY-2022

I/PLOT NAME: PSI
PATH & FILENAME: OT\ST\Signing\Training\FREEWAY CLASS 202N Beam_Example\PSI.DGN



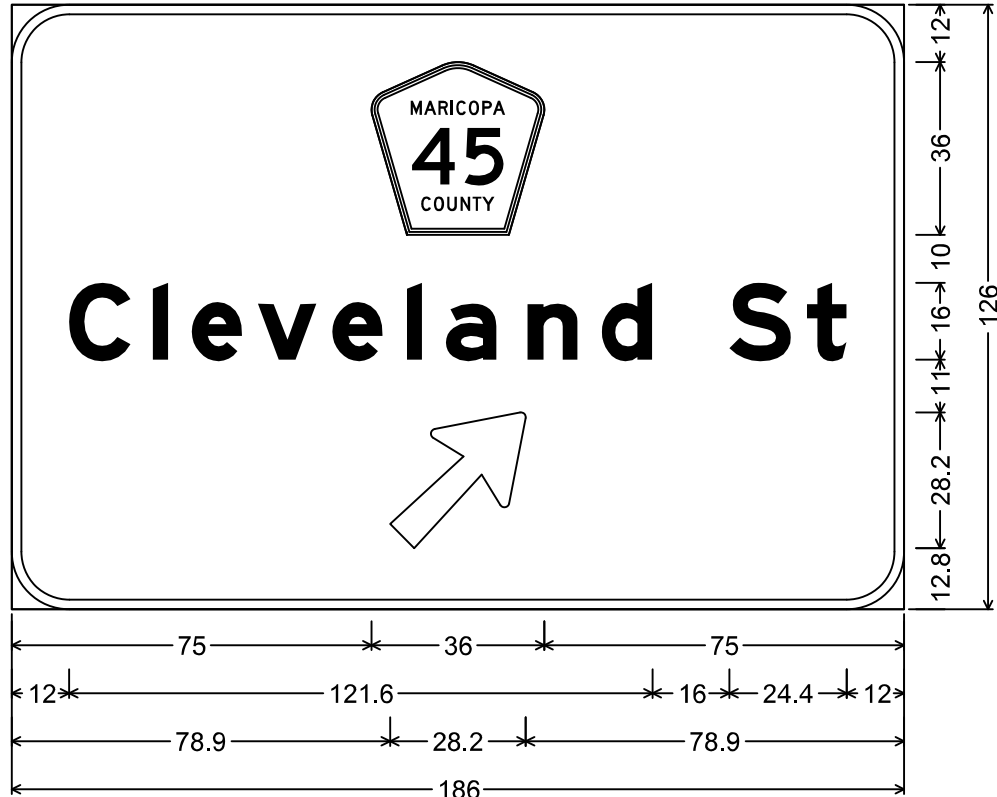
- NOTES:
- (1) F. & I.
 - (2) INPLACE
 - (4) REMOVE

BY:	DATE:	REVISIONS:

CERTIFIED BY _____	LIC. NO. _____	DATE <u>5/6/2022</u>
DRAWN BY: _____	CHECKED BY: _____	S.A.P. NO. _____

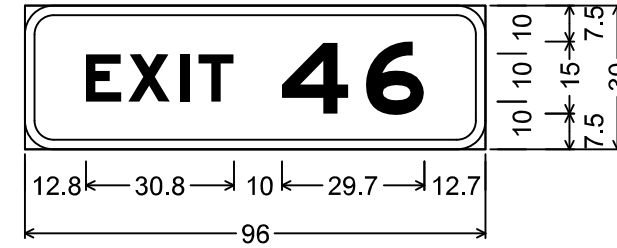
ROADWAY LAYOUTS SIGNING		
STATE PROJ. NO. 2020-005 (TH 24)	SHEET NO. ST3	OF ST5 SHEETS

IB US24-019



MARICOPA COUNTY 45 CLEVELAND ST R 45 DEGREE
 12.0" Radius, 2.0" Border, White on, Green;
 Pentagonal County 45 M1-6M; "Cleveland St", E Mod 2K;
 Arrow 17 - 36.0" 45';

EP-1



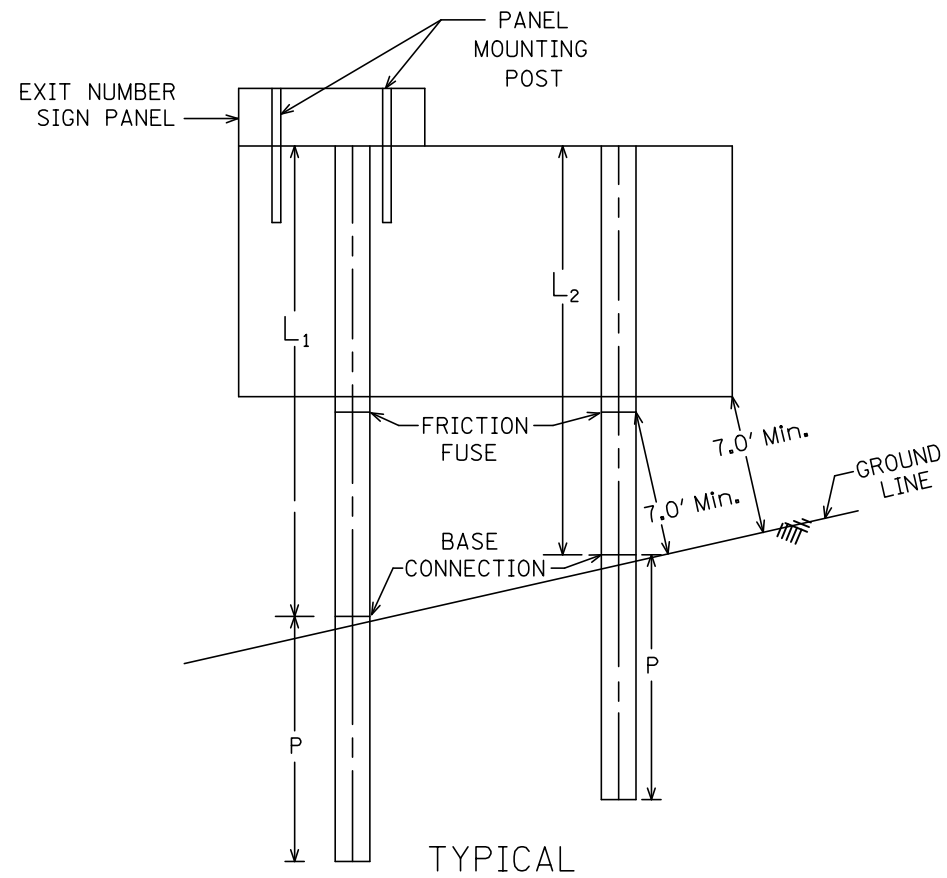
EXIT 46
 6.0" Radius, 2.0" Border, White on, Green;
 "EXIT 46", E Mod 2K;

NOTES:

1. CORNERS OF THE SIGN PANELS EXTENDING BEYOND THE BORDER SHALL NOT BE TRIMMED.
2. SEE MNDOT STANDARD SIGNS AND MARKING MANUAL FOR ARROW, FRACTION, ROUTE MARKER AND OVERLAY DETAILS.
3. ALL DIMENSIONS ARE IN INCHES.

BY:	DATE:	REVISIONS:	CERTIFIED BY _____ LIC. NO. _____ DATE <u>5/6/2022</u>		PANEL LAYOUTS SIGNING
			DRAWN BY:	CHECKED BY:	
				S.A.P. NO.	

PLOTTED/REVISED: 6-MAY-2022



SIGN IB US24-019

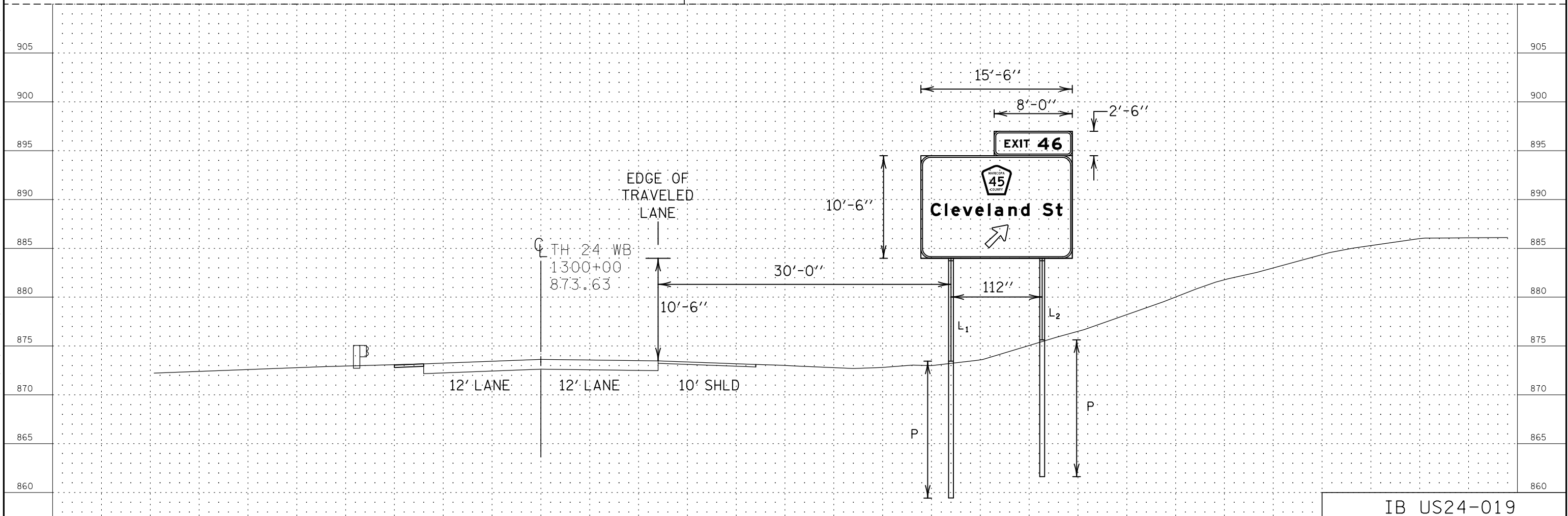
WB TH 24
STA. 1300+00

POST TYPE	W8x24
POST LENGTH L ₁	21.0 FEET
POST LENGTH L ₂	19.0 FEET
PILE FOOTING P	14 FEET
STRUCTURAL STEEL-I-BEAM SIGN	1878 POUND
STRUCTURAL STEEL-PANEL MOUNTING POST	42 POUND

GENERAL NOTES:

1. QUANTITIES ARE BASED ON DESIGN ELEVATIONS AND DIMENSIONS WHICH ARE APPROXIMATE. FABRICATION IS DEPENDENT ON THESE ELEVATIONS AND DIMENSIONS AND SHALL NOT BE STARTED UNTIL THE ENGINEER HAS MADE THE FINAL DETERMINATION IN THE FIELD.
2. SEE STANDARD PLAN 5-297.711 FOR STRUCTURAL DETAILS.
3. SEE STANDARD PLAN 5-297.710 FOR EXIT PANEL STRUCTURE DETAIL.
4. POST LENGTHS TO BE VERIFIED IN FIELD.
5. TO AVIOD SPECULAR GLARE, THE SIGN PANEL SHALL BE ANGLED APPROXIMATELY 93 DEGREES AWAY FROM ALIGNMENT FOR SIGNS LOCATED LESS THAN 30' FROM EDGE OF THRU LANE AND APPROXIMATLEY 92 DEGREES FOR SIGNS LOCATED 30' OR MORE FROM THE THRU LANE.

I/PLOT NAME: structure elevation
PATH & FILENAME: OTST\Signing\Training\FREEMWAY CLASS 202N Beam Example\structure elevation.dgn



IB US24-019

BY: DATE:	REVISIONS	CERTIFIED BY _____ LIC. NO. _____ DATE 5/6/2022	STRUCTURE ELEVATIONS SIGNING
		DRAWN BY: _____ CHECKED BY: _____ S.A.P. NO. _____	
			STATE PROJ. NO. 2020-005 (TH 24) SHEET NO. ST5 OF ST5 SHEETS