



MINNESOTA DEPT OF TRANSPORTATION

TRAFFIC DATA COLLECTION - METRO

Location: I-35 W / DUPONT AVE AT 98TH
 Ref.Pt.: 006+00.350 WEST RAMPS
 JAMAR# 634/2582 DR
 TURN MOVEMENT COUNT

File Name : I 35 W AT 98TH ST W RAMPS 2007
 Site Code : 00000000
 Start Date : 7/11/2007
 Page No : 1

Groups Printed- Unshifted

Start Time	ramp from I-35W SB Southbound				98TH ST W Westbound				Dupont Ave. Northbound				98TH ST W Eastbound				Int. Total
	Left	Thru	Right	Peds	Left	Thru	Right	Peds	Left	Thru	Right	Peds	Left	Thru	Right	Peds	
06:00	14	7	28	0	8	71	0	0	7	0	13	0	0	83	7	0	238
06:15	12	3	44	0	0	113	0	0	2	0	14	0	0	119	4	0	311
06:30	15	12	69	0	1	126	0	0	7	0	28	0	0	150	3	0	411
06:45	18	14	63	0	15	216	0	0	14	0	31	0	0	188	5	0	564
Total	59	36	204	0	24	526	0	0	30	0	86	0	0	540	19	0	1524
07:00	26	10	44	0	16	188	0	0	11	0	54	0	0	232	10	0	591
07:15	35	10	64	0	8	224	0	0	11	0	37	0	0	281	7	0	677
07:30	18	3	77	0	10	291	0	0	18	0	43	0	0	201	7	0	668
07:45	47	9	76	0	16	369	0	0	32	0	85	0	0	319	4	0	957
Total	126	32	261	0	50	1072	0	0	72	0	219	0	0	1033	28	0	2893
08:00	44	14	60	0	18	290	0	0	22	0	38	0	0	275	11	0	772
08:15	41	13	58	0	15	239	0	0	39	0	41	0	0	260	20	0	726
08:30	30	13	68	0	14	218	0	0	33	0	32	0	0	229	14	0	651
08:45	41	13	81	0	11	259	0	0	14	0	40	0	0	243	10	1	713
Total	156	53	267	0	58	1006	0	0	108	0	151	0	0	1007	55	1	2862
*** BREAK ***																	
15:00	32	11	86	0	11	177	0	0	10	0	23	0	0	338	15	0	703
15:15	50	11	75	0	19	204	0	0	11	0	34	0	0	338	24	0	766
15:30	39	13	69	0	18	185	0	0	7	0	20	0	0	383	22	0	756
15:45	46	17	55	0	20	204	0	0	14	0	33	0	0	384	30	0	803
Total	167	52	285	0	68	770	0	0	42	0	110	0	0	1443	91	0	3028
16:00	43	19	64	0	19	218	0	0	6	0	38	0	0	366	30	0	803
16:15	35	23	74	0	27	242	0	0	12	0	41	0	0	426	36	0	916
16:30	19	0	65	0	38	243	0	0	17	0	60	0	0	327	31	0	800
16:45	34	27	53	0	30	246	0	0	20	0	45	0	0	480	47	0	982
Total	131	69	256	0	114	949	0	0	55	0	184	0	0	1599	144	0	3501
17:00	33	12	65	0	46	321	0	0	18	0	66	0	0	499	46	0	1106
17:15	34	13	65	0	47	314	0	0	25	0	50	2	0	517	60	0	1127
17:30	27	15	81	0	48	287	0	0	15	0	61	10	0	444	46	0	1034
17:45	37	25	66	0	42	295	0	0	16	0	31	0	0	424	35	0	971
Total	131	65	277	0	183	1217	0	0	74	0	208	12	0	1884	187	0	4238
Grand Total	770	307	1550	0	497	5540	0	0	381	0	958	12	0	7506	524	1	18046
Approch %	29.3	11.7	59	0	8.2	91.8	0	0	28.2	0	70.9	0.9	0	93.5	6.5	0	
Total %	4.3	1.7	8.6	0	2.8	30.7	0	0	2.1	0	5.3	0.1	0	41.6	2.9	0	



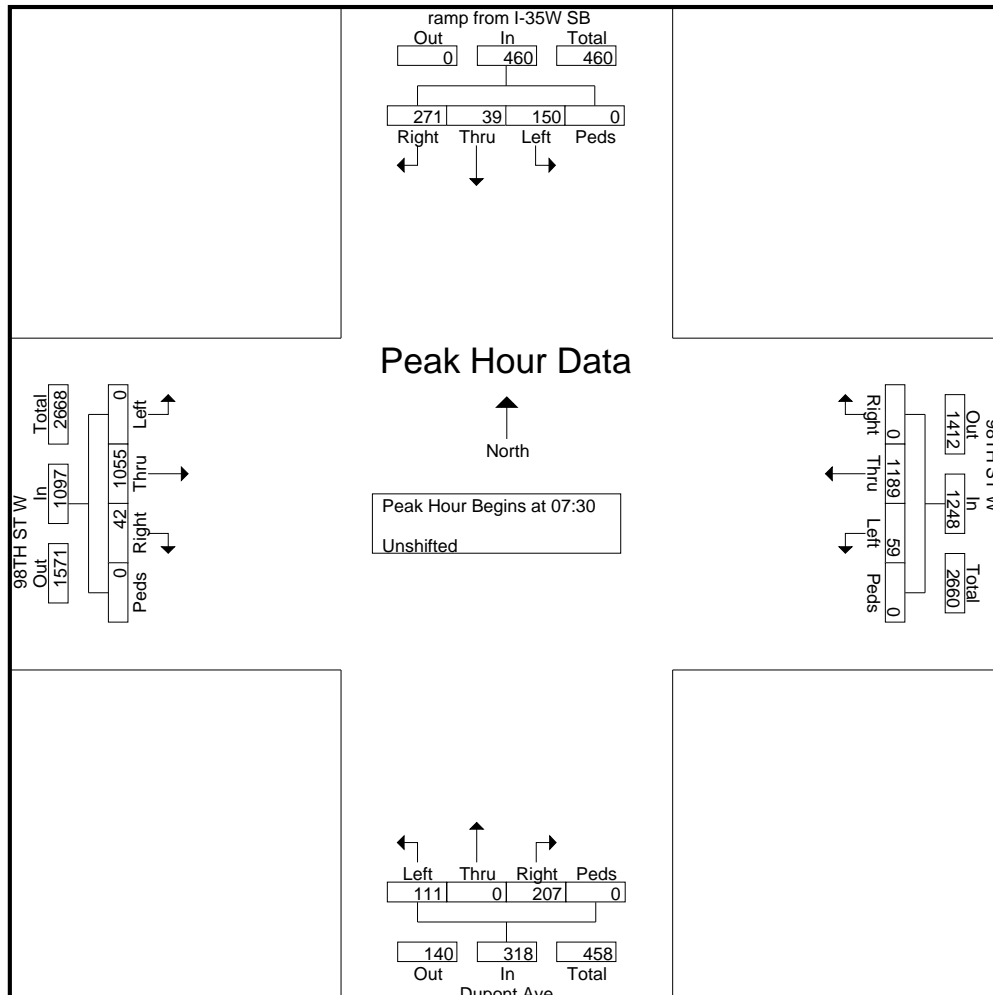
MINNESOTA DEPT OF TRANSPORTATION

TRAFFIC DATA COLLECTION - METRO

Location: I-35 W / DUPONT AVE AT 98TH
 Ref.Pt.: 006+00.350 WEST RAMPS
 JAMAR# 634/2582 DR
 TURN MOVEMENT COUNT

File Name : I 35 W AT 98TH ST W RAMPS 2007
 Site Code : 00000000
 Start Date : 7/11/2007
 Page No : 2

Start Time	ramp from I-35W SB Southbound					98TH ST W Westbound					Dupont Ave. Northbound					98TH ST W Eastbound					Int. Total
	Left	Thru	Right	Peds	App. Total	Left	Thru	Right	Peds	App. Total	Left	Thru	Right	Peds	App. Total	Left	Thru	Right	Peds	App. Total	
Peak Hour Analysis From 06:00 to 08:45 - Peak 1 of 1																					
Peak Hour for Entire Intersection Begins at 07:30																					
07:30	18	3	77	0	98	10	291	0	0	301	18	0	43	0	61	0	201	7	0	208	668
07:45	47	9	76	0	132	16	369	0	0	385	32	0	85	0	117	0	319	4	0	323	957
08:00	44	14	60	0	118	18	290	0	0	308	22	0	38	0	60	0	275	11	0	286	772
08:15	41	13	58	0	112	15	239	0	0	254	39	0	41	0	80	0	260	20	0	280	726
Total Volume	150	39	271	0	460	59	1189	0	0	1248	111	0	207	0	318	0	1055	42	0	1097	3123
% App. Total	32.6	8.5	58.9	0		4.7	95.3	0	0		34.9	0	65.1	0		0	96.2	3.8	0		
PHF	.798	.696	.880	.000	.871	.819	.806	.000	.000	.810	.712	.000	.609	.000	.679	.000	.827	.525	.000	.849	.816





MINNESOTA DEPT OF TRANSPORTATION

TRAFFIC DATA COLLECTION - METRO

Location: I-35 W / DUPONT AVE AT 98TH
 Ref.Pt.: 006+00.350 WEST RAMPS
 JAMAR# 634/2582 DR
 TURN MOVEMENT COUNT

File Name : I 35 W AT 98TH ST W RAMPS 2007
 Site Code : 00000000
 Start Date : 7/11/2007
 Page No : 3

Start Time	ramp from I-35W SB Southbound					98TH ST W Westbound					Dupont Ave. Northbound					98TH ST W Eastbound					Int. Total
	Left	Thru	Right	Peds	App. Total	Left	Thru	Right	Peds	App. Total	Left	Thru	Right	Peds	App. Total	Left	Thru	Right	Peds	App. Total	
Peak Hour Analysis From 15:00 to 17:45 - Peak 1 of 1																					
Peak Hour for Entire Intersection Begins at 16:45																					
16:45	34	27	53	0	114	30	246	0	0	276	20	0	45	0	65	0	480	47	0	527	982
17:00	33	12	65	0	110	46	321	0	0	367	18	0	66	0	84	0	499	46	0	545	1106
17:15	34	13	65	0	112	47	314	0	0	361	25	0	50	2	77	0	517	60	0	577	1127
17:30	27	15	81	0	123	48	287	0	0	335	15	0	61	10	86	0	444	46	0	490	1034
Total Volume	128	67	264	0	459	171	1168	0	0	1339	78	0	222	12	312	0	1940	199	0	2139	4249
% App. Total	27.9	14.6	57.5	0		12.8	87.2	0	0		25	0	71.2	3.8		0	90.7	9.3	0		
PHF	.941	.620	.815	.000	.933	.891	.910	.000	.000	.912	.780	.000	.841	.300	.907	.000	.938	.829	.000	.927	.943

