

REVISION DATE 02/05/20

25-FEB-2020

Sample Plan

MISCELLANEOUS DESIGN DETAILS ----- NARRATIVE

References:

- Design Scene: Chapter 3 - Details and ADA
- Standard Plates: 8400 Pipe Railing
8401 At Grade Pipe Rail
- Miscellaneous: Metro District's Electronic Details Library
pw:\\Documents\OTS\DesignStandards\Design Details\

General Information:

Miscellaneous Details are specific project details other than construction details, concrete paving details, bituminous paving details, retaining wall details, drainage details, impact attenuator details, and traffic barrier details. Examples of Miscellaneous Details include the following:

- Curb and Gutter Modified for Specific Plan Situations
- Rumble Strips
- Sign Collars
- Stairways
- Reinforced Curb & Gutter at Drainage Structures

Depending on the project, specific details may be grouped into the Miscellaneous Details category.

All special bid items shall include a complete detail and a list of materials to be shown in the Plan. The Special Provisions or notes for this item shall be specifically written with a description of the work involved to include measurement and payment of that item. Do not show any quantities for the listed materials.

Note any incidental work which applies to Miscellaneous Details.

Aesthetics and cost participation should be addressed during scoping.

If the detail was developed by another functional group, their Engineer should sign the sheet and technician initial. See General Notes of this Sample Plan.

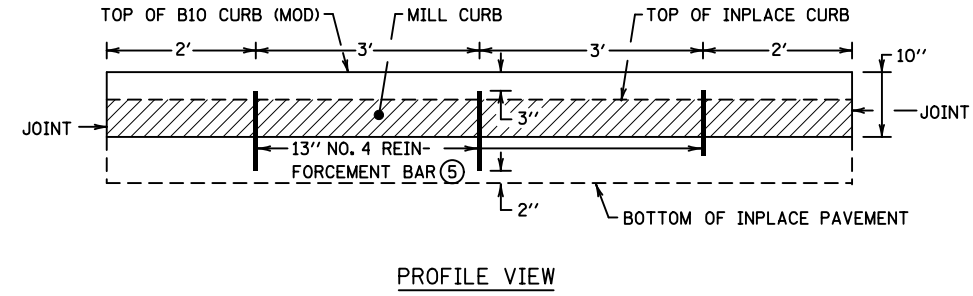
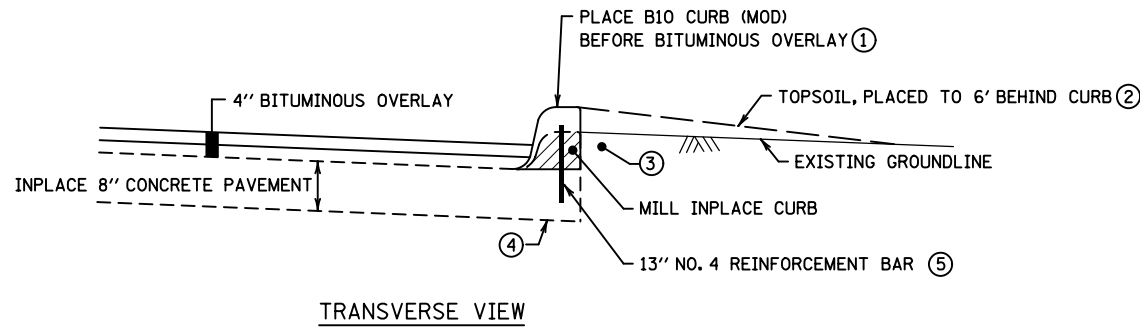
Sample Plan

MISCELLANEOUS DESIGN DETAILS ----- CHECKLIST

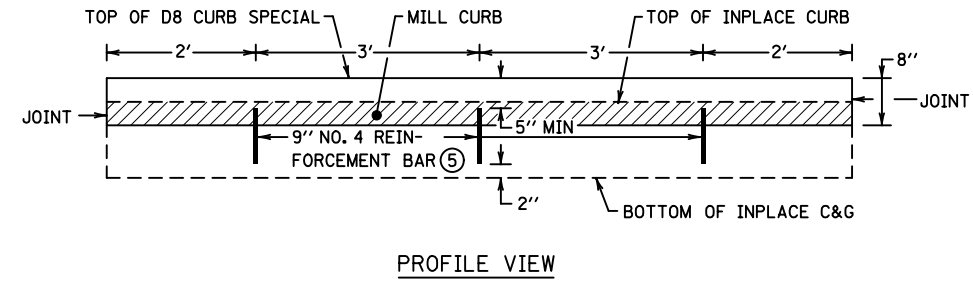
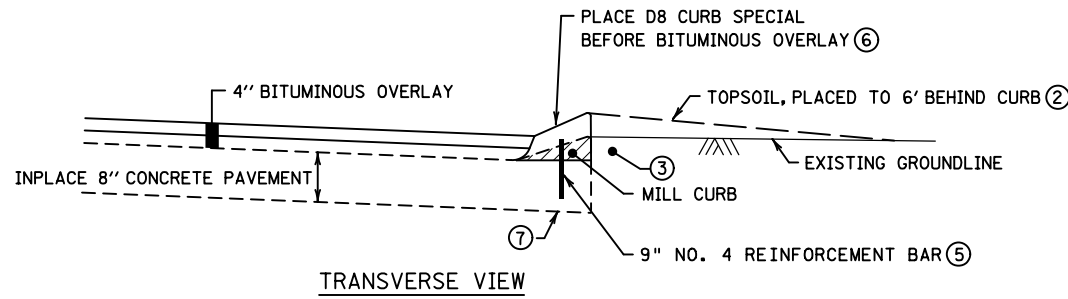
- ___ 1. Pay Item provided for Miscellaneous Design Details
- ___ 2. Note Incidental Work Which Applies to Miscellaneous Design Details
- ___ 3. Provide Special Provisions in the proposal for Miscellaneous Design Details
- ___ 4. Cross references to other sheets (as applicable)
- ___ 5. Drawn by: and Checked by: Initials and Engineer's signature

REVISION DATE 02/05/20
 PLOTTED/REVISED: 25-FEB-2020

CONCRETE CURB DESIGN B10 (MOD)



CONCRETE CURB DESIGN D6 SPECIAL

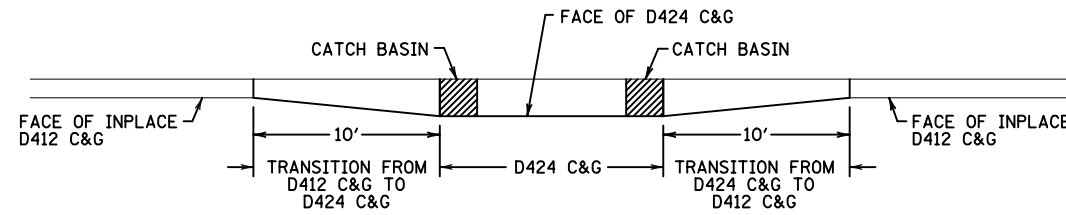


NOTES:

- ① 6" CURB HEIGHT AFTER BITUMINOUS OVERLAY. CONTRACTOR SHALL ADJUST MILLING TO ENSURE 6" CURB HEIGHT.
- ② TURF ESTABLISHMENT INCLUDES SEED MIX 25-121, FERTILIZER 22-5-10, ROLLED EROSION PREVENTION CATEGORY 20. SEE TABULATION ON SHEET 9 FOR APPLICATION RATES.
- ③ EXCAVATION REQUIRED FOR MILLING OPERATION, INCIDENTAL. BACKFILLING AFTER CURB PLACEMENT, INCIDENTAL.
- ④ INPLACE B6 INTEGRANT CURB.
- ⑤ NO. 13 EPOXY COATED REINFORCEMENT BARS SHALL BE DRILLED AND ANCHORED WITH AN APPROVED NON-SHRINK GROUT, INCIDENTAL.
- ⑥ 4" CURB HEIGHT AFTER BITUMINOUS OVERLAY. CONTRACTOR SHALL ADJUST MILLING TO ENSURE 4" CURB HEIGHT.
- ⑦ INPLACE D4 INTEGRANT CURB.

SAMPLE PLAN

TRANSITION BETWEEN D412 C&G AND D424 C&G AT CATCH BASINS



CONCRETE CURB DESIGN B6 (MOD)
 CONCRETE CURB DESIGN D6 SPECIAL
 C&G TRANSITION AT CATCH BASINS

DISTRICT #: Metro
 PLOT NAME: miscdef1
 FILENAME: Projects\DM罗斯\Wong\Project\Design\SamplePlan\English\miscdef1.dgn

DRAWN BY: MB

CHECKED BY: EB

CERTIFIED BY

Will D. Zire
 LICENSED PROFESSIONAL ENGINEER

LIC. NO. 00000 DATE 03/26/18

CONSTRUCTION DETAILS

STATE PROJ. NO. 0000-00 (T.H. 00) SHEET NO. 27 OF 84 SHEETS