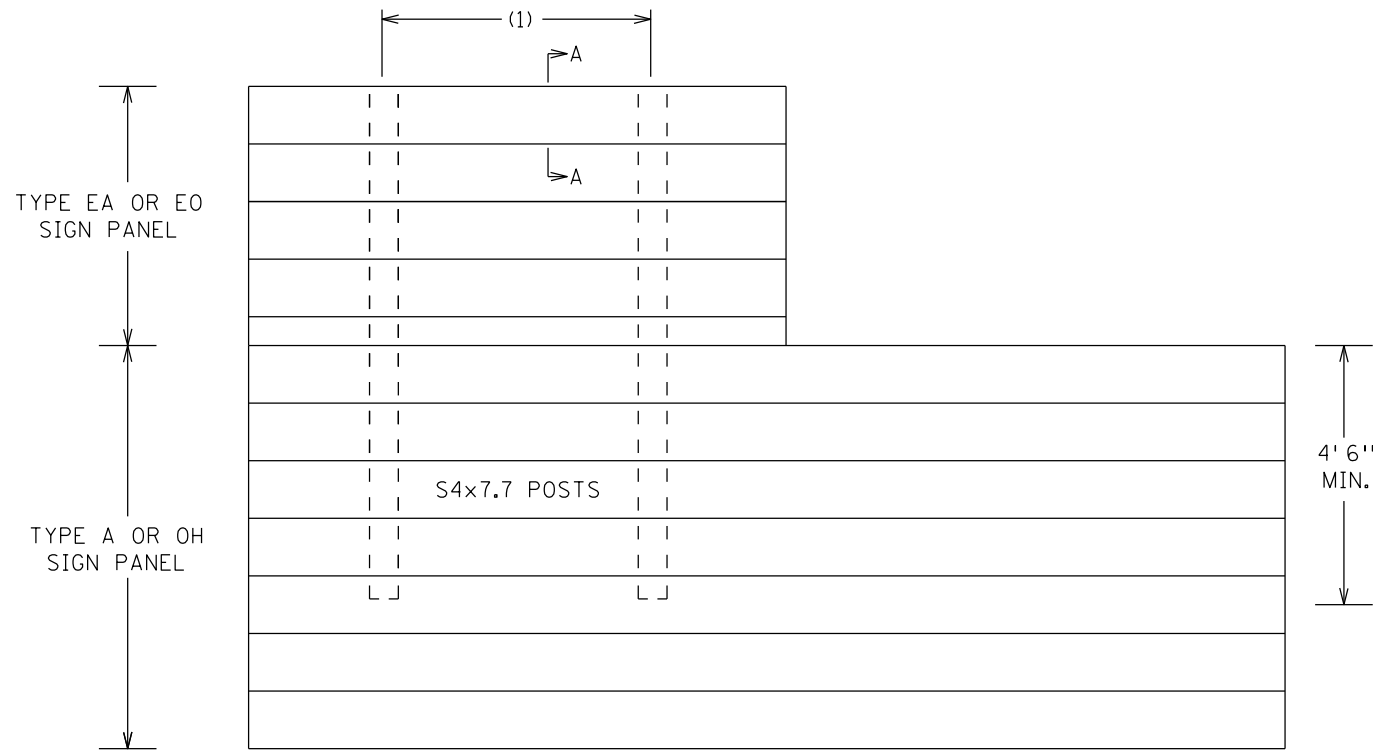
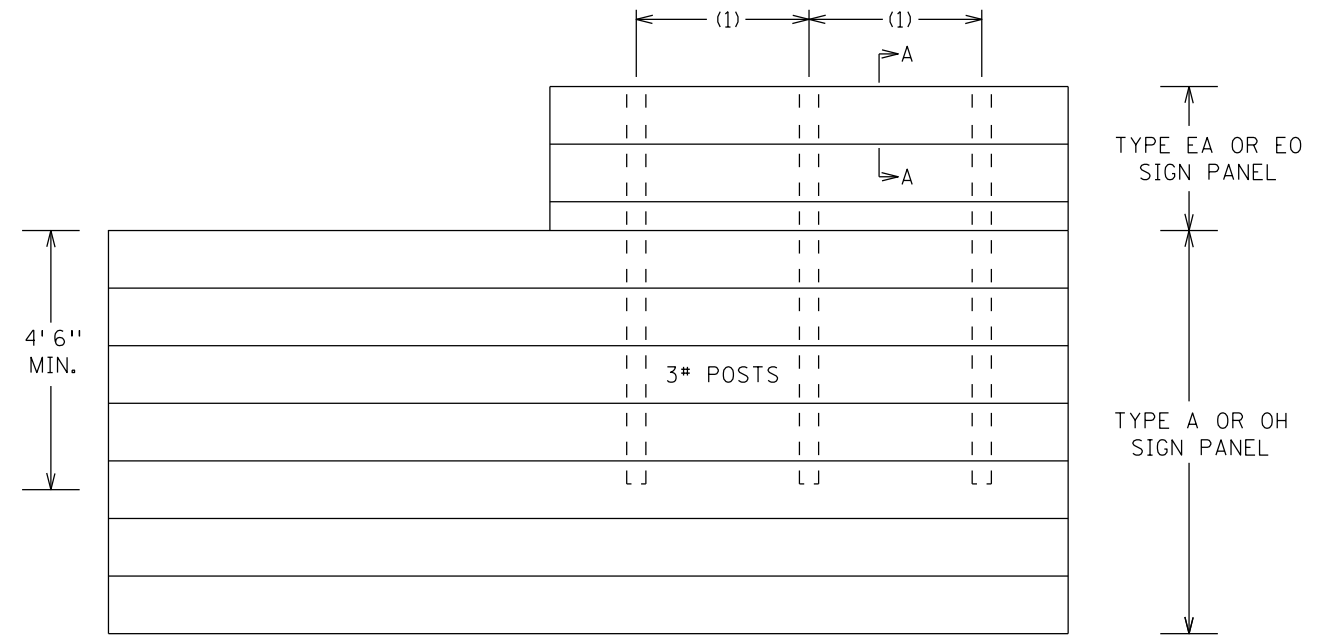


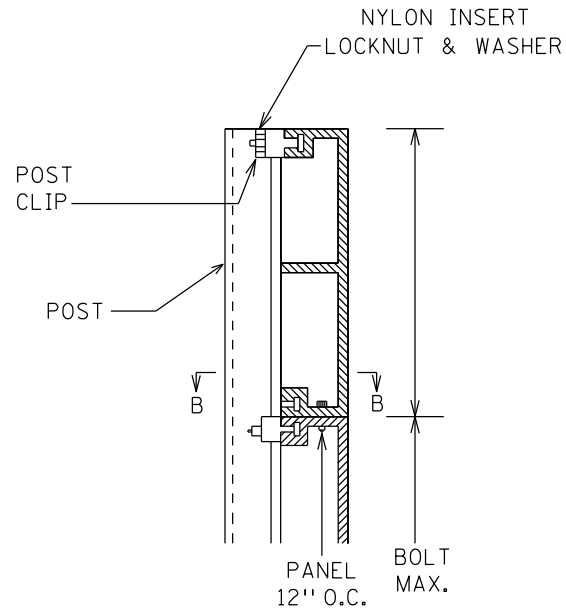
PLOTTED/REVISED: 4/28/2015



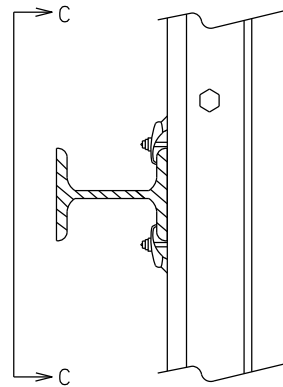
LEFT JUSTIFIED PANEL MOUNTING



RIGHT JUSTIFIED PANEL MOUNTING

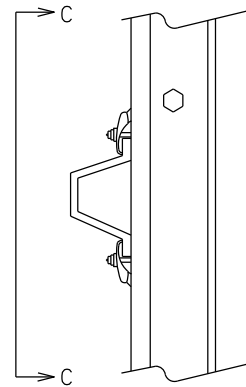


SECTION A-A



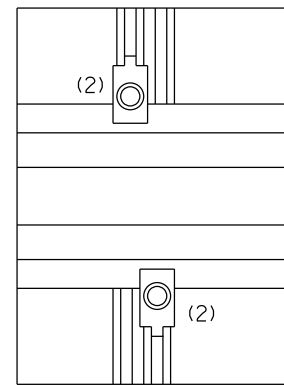
SECTION B-B

S4x7.7 POST



SECTION B-B

3# POST
(Mn/DOT 3401)



VIEW C-C

SPECIFIC NOTES:

- (1) SEE TABULATION SHEET FOR NUMBER AND SPACING OF POSTS. SPACING AND LOCATION CAN BE ADJUSTED WHERE NECESSARY.
- (2) POST CLIPS SHALL BE ATTACHED ON BOTH SIDES OF EACH POST AT EACH PANEL JOINT AS INDICATED.

GENERAL NOTE:

- 1. TYPE EA OR EO SIGN PANEL SHALL BE LEFT JUSTIFIED FOR LEFT EXITS AND RIGHT JUSTIFIED FOR RIGHT EXITS ON TYPE A OR OH SIGN PANEL.

TYPE EA & EO SIGN
STRUCTURAL DETAILS

DISTRICT #: METRO
PLOT NAME: EA & EO SIGN-STR
PATH & FILENAME: IP_PWP-d1624788EA & EO SIGN-STR.dgn