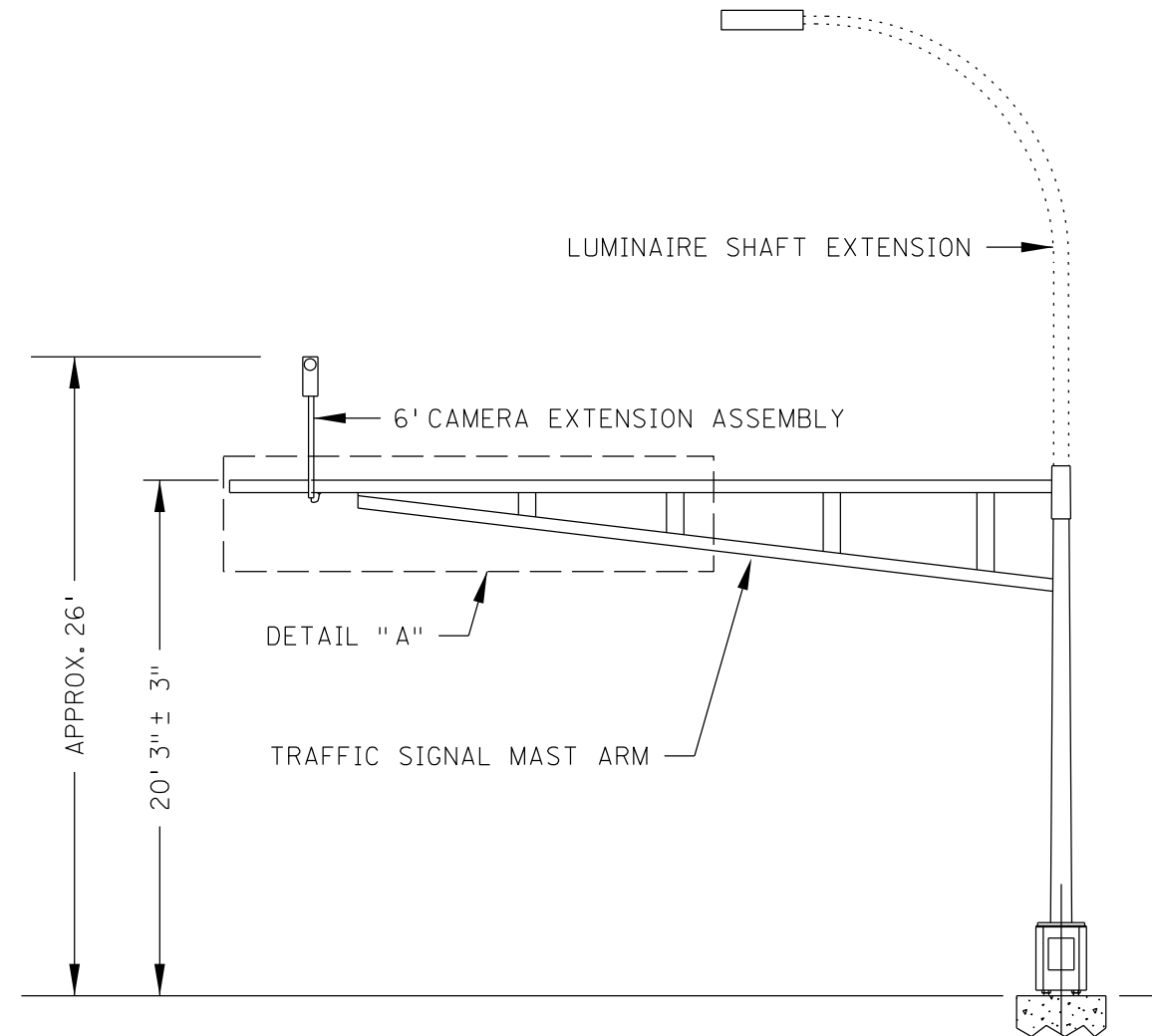
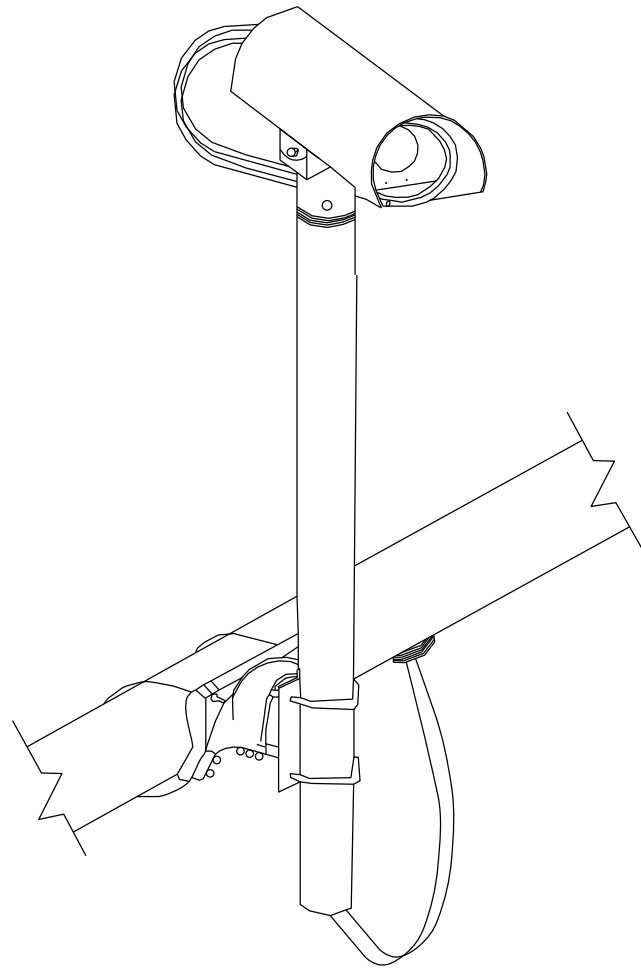


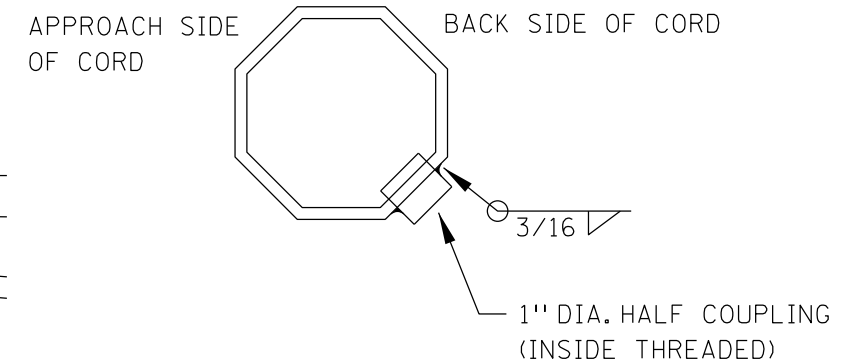
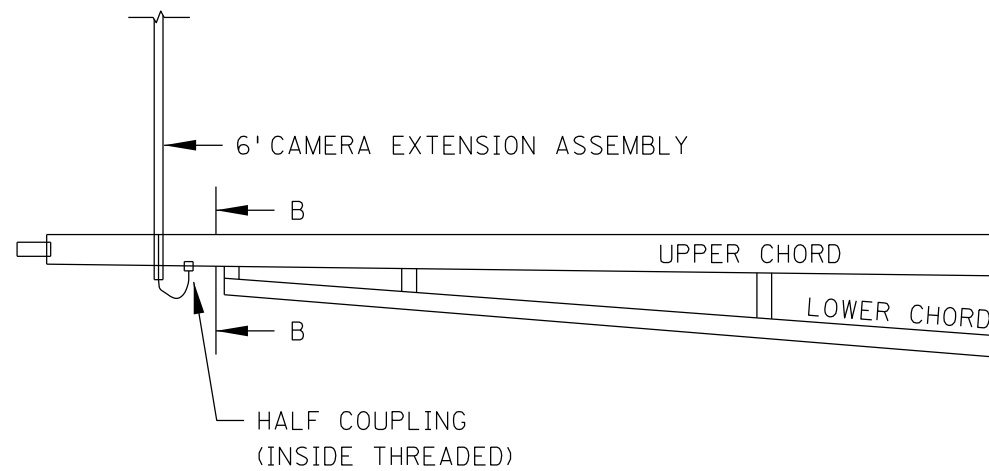
TYPICAL MAST ARM CAMERA MOUNTING DETAILS

MAST ARM CAMERA INSTALLATION



DETAIL "A" (MAST ARM)

SECTION B-B (UPPER CHORD)



NOTES:

- 1) F & I MAST ARMS WITH MANUFACTURER WELDED 1" HALF COUPLINGS AS SHOWN ON THE PLAN.
- 2) IF POSSIBLE RUN CONTINUOUS WITHOUT SPLICE VIDEO DETECTION CABLES BETWEEN THE SIGNAL CONTROL CABINET AND THE CAMERA. WHEN SPLICING IS NECESSARY F & I SPLICES APPROVED BY THE VIDEO DETECTION MANUFACTURER IN THE POLE TRANSFORMER BASES AND AT THE CAMERAS.
- 3) RUN CABLES INSIDE THE POLES, MAST ARMS AND CAMERA MOUNTING EXTENSIONS.
- 4) F & I CORD GRIPS INTO THE 1" HALF COUPLINGS WHERE THE CABLES ARE ROUTED THROUGH.
- 5) F & I ALUMINUM TUBE CAMERA MOUNTING EXTENSIONS, ALUMINUM MOUNTING BRACKETS, AND STAINLESS STEEL STRAPS AND HARDWARE TO THE MAST ARM AS SHOWN ON THE PLAN. REVERSE THE MOUNTING BRACKET WHEN IN CONFLICT WITH THE MAST ARM SIGNING DETAIL.

PLOTTED/REVISED: \$\$\$@DATE@\$\$\$

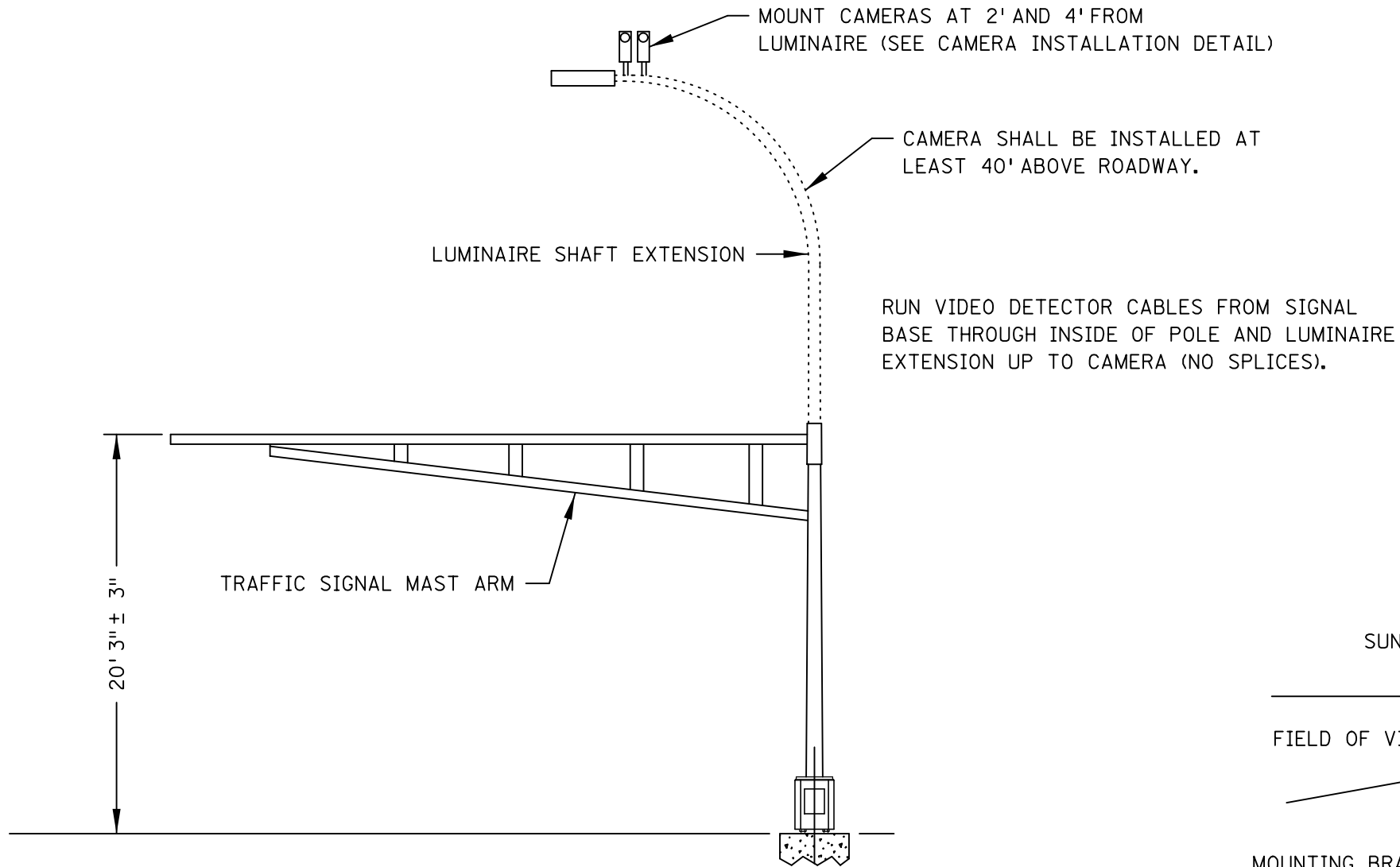
DISTRICT #: \$\$\$@DISTRICT@\$\$
 IPLOT NAME: \$\$\$@IPLOT\$NAME@\$\$
 PATH & FILENAME: \$\$\$@PATH\$FILENAME@\$\$\$

BY	DATE	REVISIONS	SYSTEM ID: _____ T.E. _____	S.A.P. NO. _____	DRAWN BY: _____	CKD BY: _____	DATE: 01-13-20
			METER ADDRESS: _____	CERTIFIED BY: _____	LIC. NO. _____	DATE: _____	
			OLD SYSTEM ID: _____	STATE PROJ. NO. _____ (T.H. _____)	SHEET NO. _____	OF _____	SHEETS

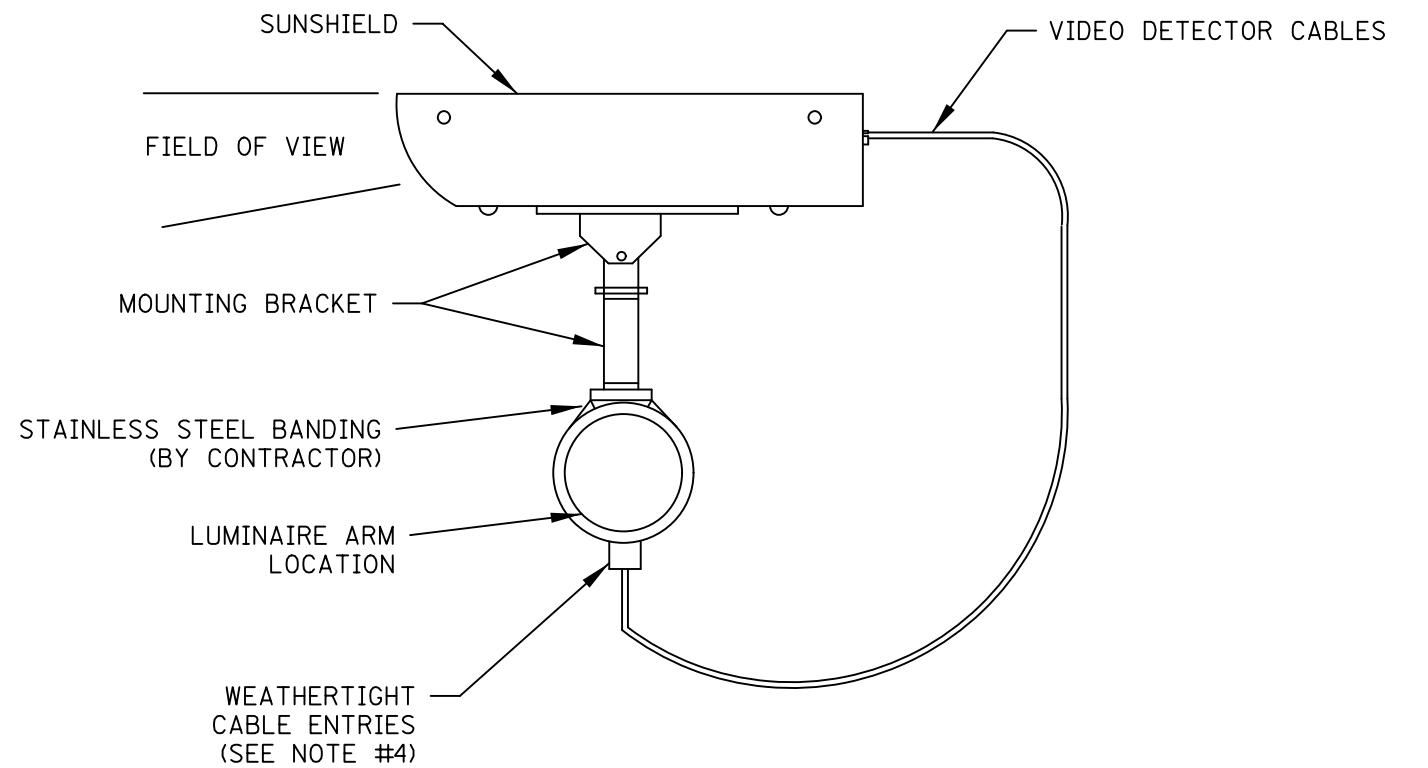
TYPICAL MAST ARM
CAMERA MOUNTING DETAIL

LICENSED PROFESSIONAL ENGINEER

TYPICAL LUMINAIRE CAMERA MOUNTING DETAILS



CAMERA INSTALLATION DETAIL



NOTES:

- 1) ALL CAMERA DETECTION EQUIPMENT SHALL BE FURNISHED AND INSTALLED BY CONTRACTOR.
- 2) IT IS DESIRABLE FOR CABLES BETWEEN THE CAMERA AND THE TRAFFIC SIGNAL CONTROL CABINET TO BE CONTINUOUS, HOWEVER, A SPLICE (APPROVED FOR OUTDOOR USE) WILL BE ALLOWED IN THE TRANSFORMER BASE OF THE SIGNAL POLE.
- 3) CABLES FOR CAMERA OPERATION SHALL BE AS INDICATED IN THE SPECIAL PROVISIONS AND SHALL BE IN ACCORDANCE WITH THE APPLICABLE PROVISIONS OF THE MANUFACTURER OF THE VIDEO DETECTION SYSTEM USED.
- 4) A 3/4" HALF COUPLING, 3/4" PIPE NIPPLE AND CONDUIT OUTLET BODY FOR CAMERA CABLES SHALL BE F&I ON THE UNDER SIDE OF MAST ARM SEE SIGNAL LAYOUT FOR LOCATION OF HUB.

DISTRICT #: Metro
 PLOT NAME: 002 Video Detection Camera Mount on Luminaire (2-22-18)
 PATH & FILENAME: OTST\Signals\Details\Video Detection Camera Mount\Video Detection Camera Mount Detail (2-22-18).dgn
 PLOTTED/REVISED: 22-FEB-2018

BY	DATE	REVISIONS	SYSTEM ID:	T.E.	S.A.P. NO.	DRAWN BY:	CKD BY:	DATE: 02-22-18
			METER ADDRESS:		CERTIFIED BY _____	LIC. NO. _____	DATE: _____	
			OLD SYSTEM ID:		STATE PROJ. NO.	(T.H.)	SHEET NO.	OF SHEETS

**TYPICAL LUMINAIRE
CAMERA MOUNTING DETAIL**