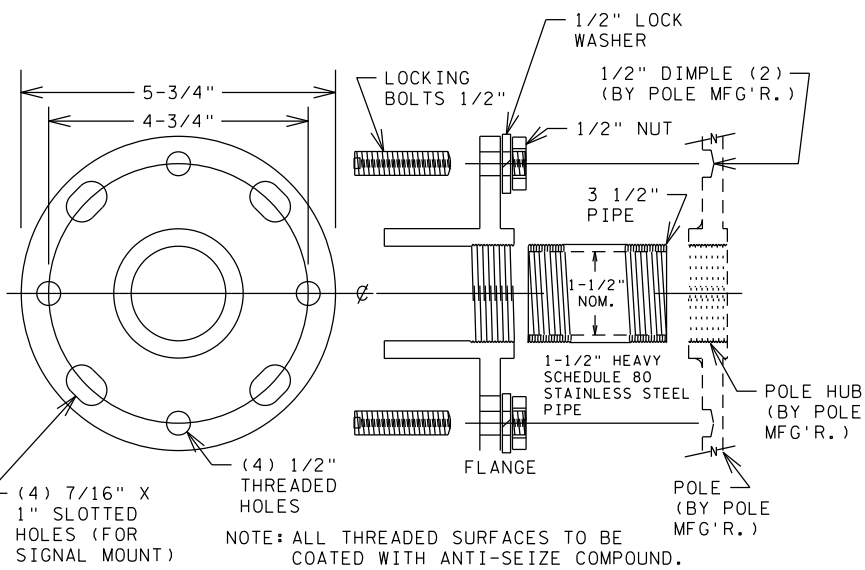
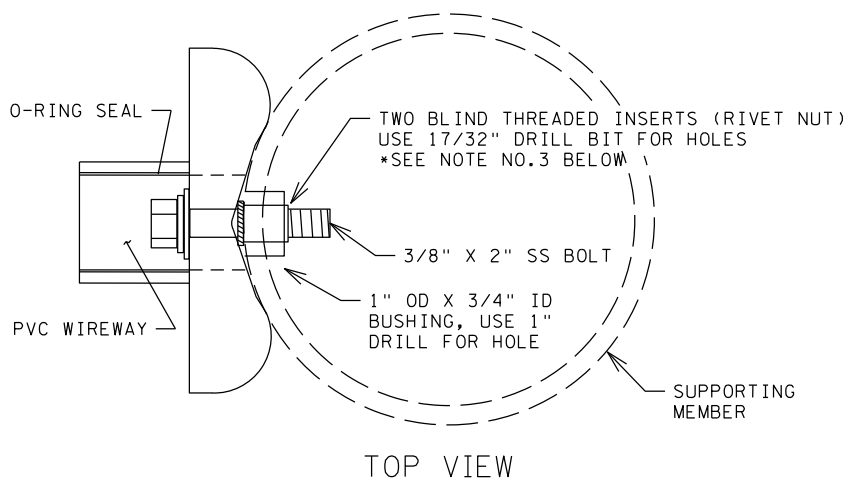
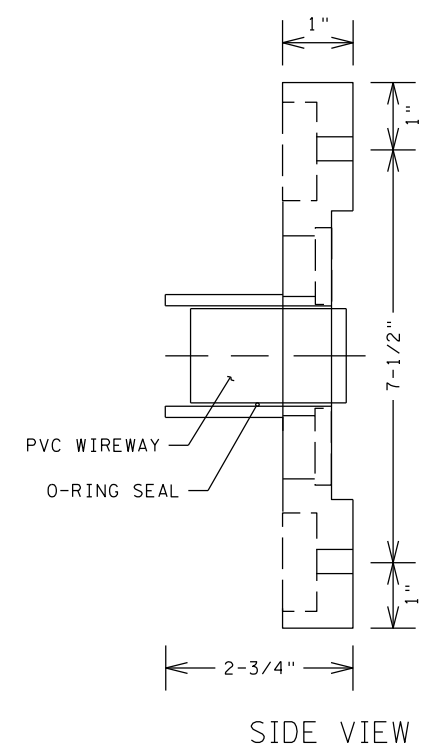
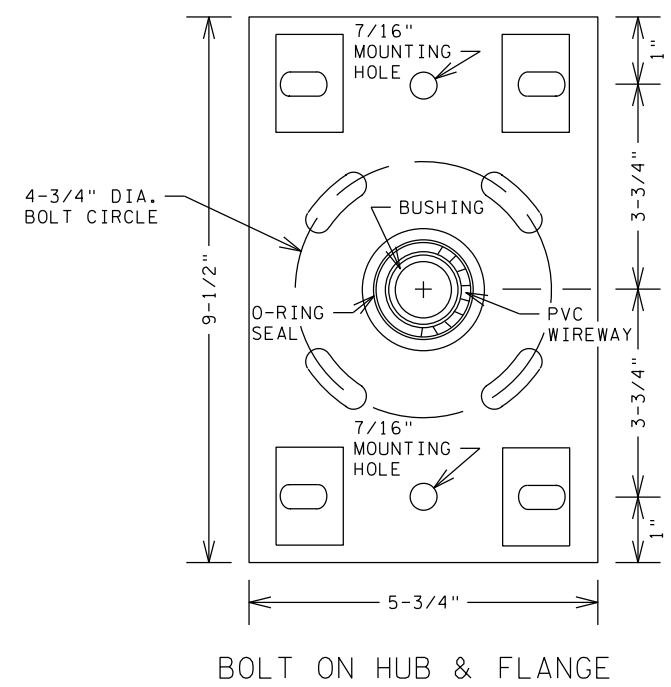
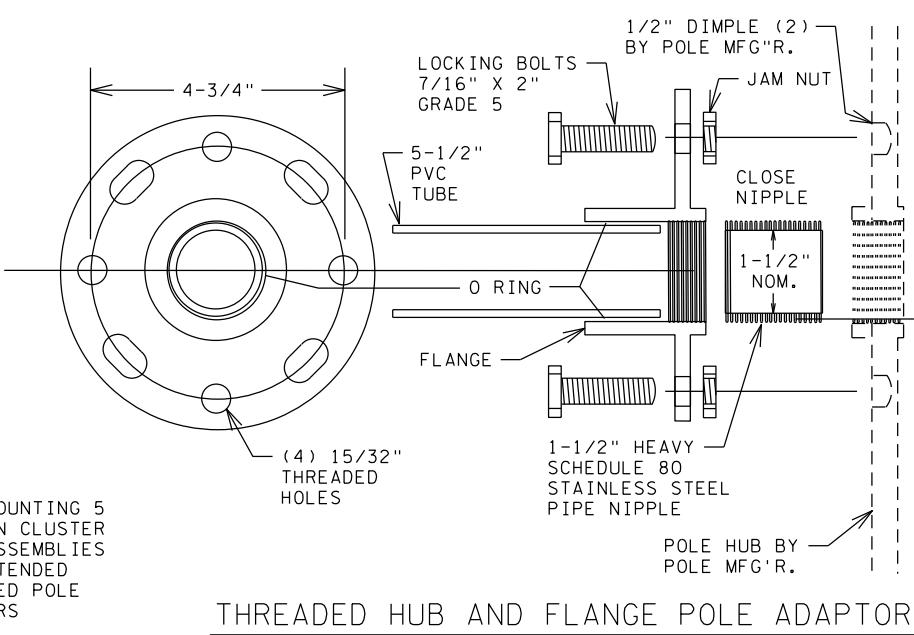
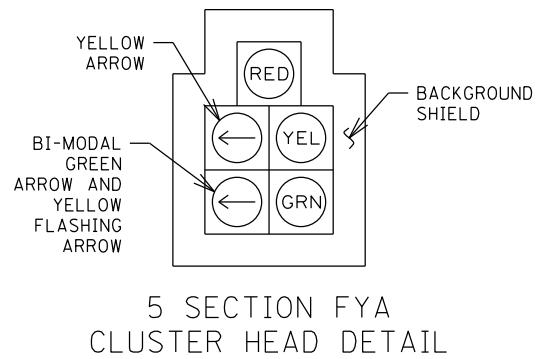
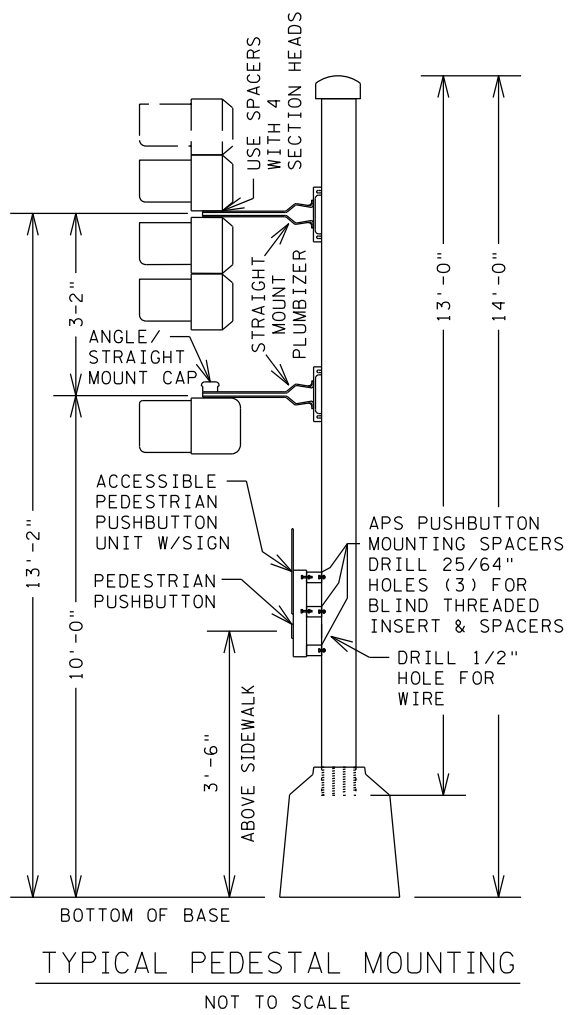
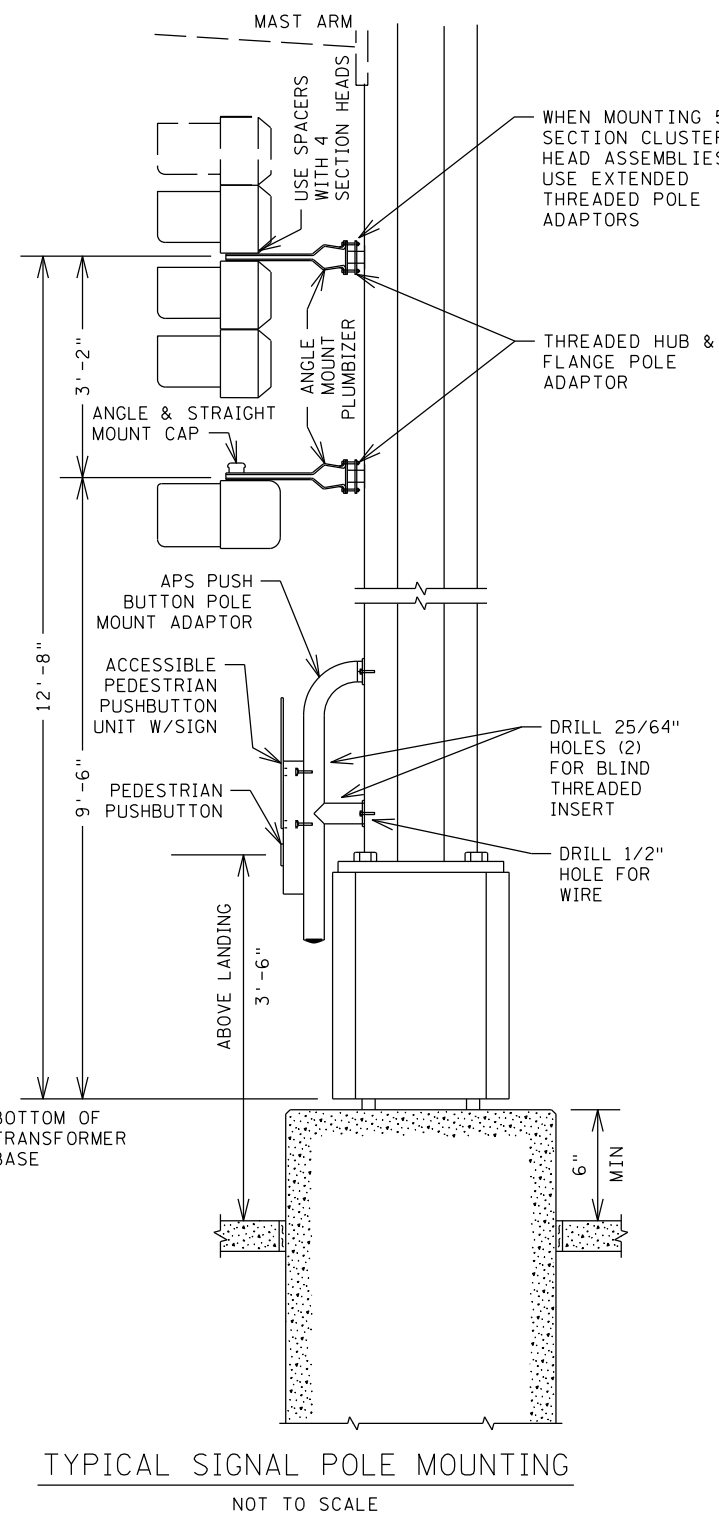


PLOTTED/REVISED: \$\$\$@DATE@\$\$\$

DISTRICT #: \$\$\$@DISTRICT@\$\$
 IPLOT NAME: \$\$\$@PLOT\$NAME@\$\$
 PATH & FILENAME: \$\$\$@PATH\$FILENAME@\$\$\$



- NOTES:
1. ALL THREADED SURFACES TO BE COATED WITH ANTI-SEIZE COMPOUND.
 2. USE SIGNAL HEAD MOUNTED SPACERS FOR 4 SECTION POLY HEADS.
 3. SEE STANDARD PLATE NUMBER 8123 FOR ADDITIONAL SIGNAL DETAILS.
 4. EXTENDED THREADED POLE ADAPTOR ONLY USED WITH 5 SECTION CLUSTER HEADS.



- NOTES:
1. ALL THREADED SURFACES TO BE COATED WITH ANTI-SEIZE COMPOUND.
 2. USE SIGNAL HEAD MOUNTED SPACERS FOR 4 SECTION POLY HEADS.
 3. BLIND THREADED INSERTS (RIVET NUT) MUST BE INSERTED USING MANUFACTURERS SPECIFIC INSERTION TOOL. NO OTHER METHOD IS ACCEPTABLE.
 4. SEE STANDARD PLATE NUMBER 8122 FOR ADDITIONAL PEDESTAL POLE DETAILS.

BY	DATE	REVISIONS

SYSTEM ID: _____ T.E. _____
 METER ADDRESS: _____
 OLD SYSTEM ID: _____

POLE MOUNT DETAIL

S.A.P. NO. _____ DRAWN BY: _____ CKD BY: _____ DATE: 02-22-19
 CERTIFIED BY: _____ LIC. NO. _____ DATE: _____
 STATE PROJ. NO. _____ (T.H. _____ SHEET NO. _____ OF _____ SHEETS