

Standard Signs Manual

NEW, CHANGED, OR DELETED 1/2017

"X" SERIES: MISCELLANEOUS

Group 1 - General Information

X1-1.....	BEGIN ___ MILE ODOMETER CHECK ___ FT AHEAD
X1-2.....	BEGIN (END) ODOMETER CHECK HERE
X1-3.....	MILE ___ (Odometer Check)
X1-5.....	AIRCRAFT APPROACH AREA

Group 3 - State Property

X3-1.....	Right of Way Boundary Marker
X3-2.....	CONTROLLED ACCESS
X3-3.....	Scenic Easement Marker
X3-4.....	___ FEET (Scenic Easement Marker)
X3-6a.....	KEEP OFF INFILTRATION AREA

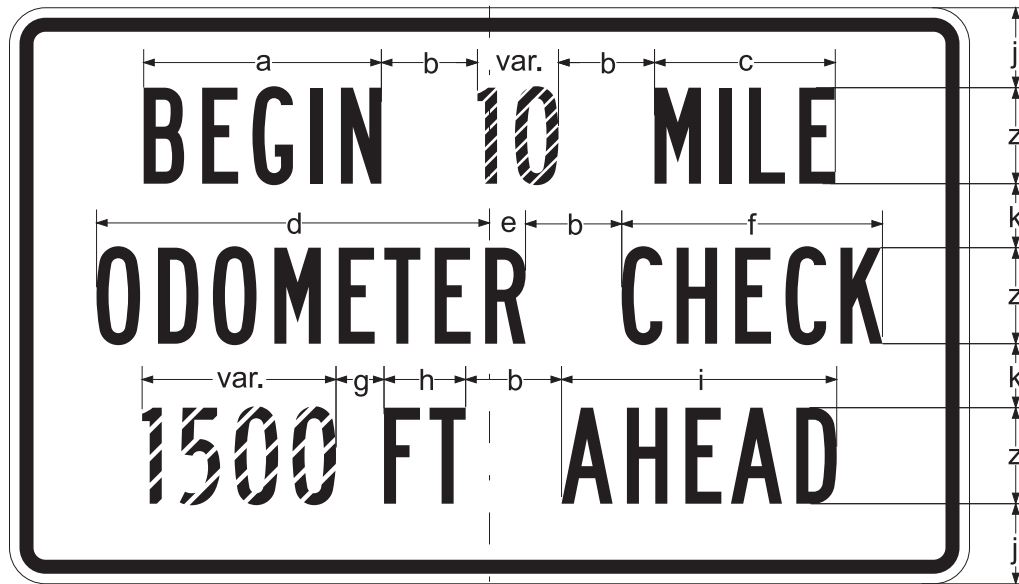
Group 4 - Markers

X4-2.....	Type 1 Object Marker
X4-3.....	Type 2 Object Marker
X4-4 (1 of 2).....	Type 3 Object Marker
X4-4 (2 of 2).....	Type 3 Object Marker
X4-5.....	Snowplow Marker
X4-6.....	Guide Delineator
X4-8.....	One Tenth Mile Delineator
X4-11.....	Type 4 Object Marker for End of Roadway
X4-12a, X4-12b.....	Bridge Number Plaque (4 and 5 Digit)
X4-13.....	Cylinder Style Delineator
X4-24.....	Fire Hydrant Marker

Group 5 - Overhead and Feed Point Plate

X5-1.....	Overhead Sign Identification Plate
X5-2.....	Feed Point Identification Plate

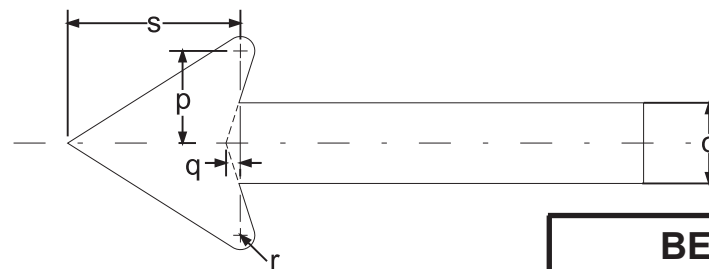
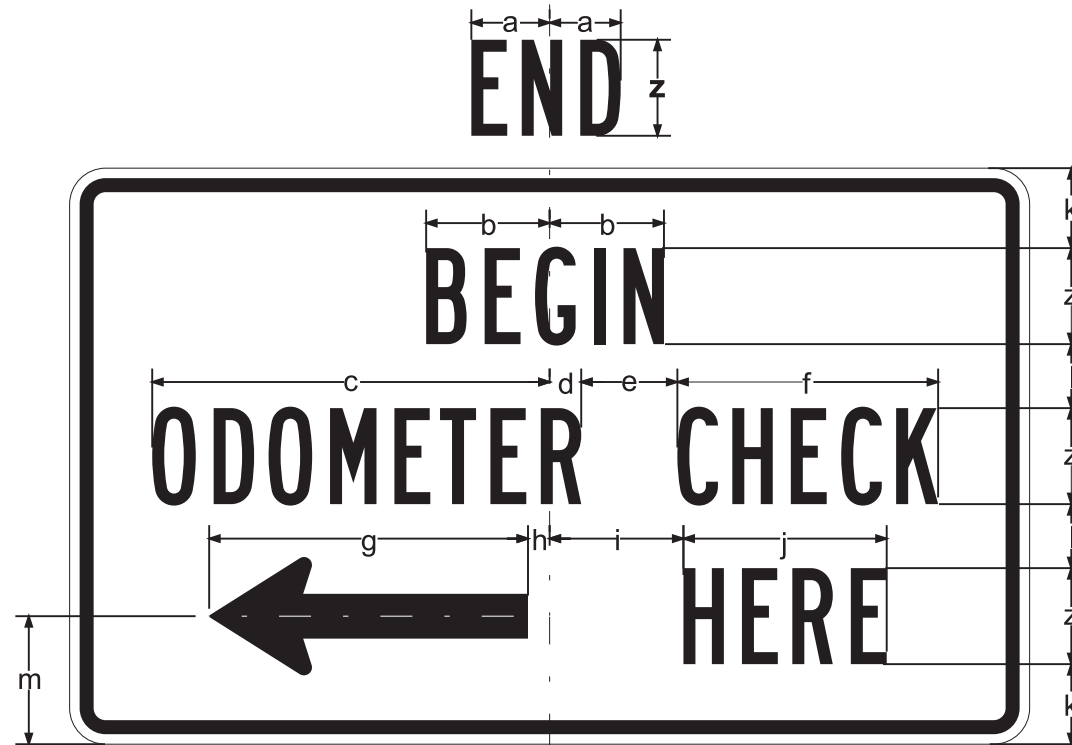
SIZE DIMENSION	60 X 36	
RADIUS	2.25	
MARGIN	.63	
BORDER	.88	
a	14.9	
b	6	
c	11.3	
d	24.5	
e	2.3	
f	16.3	
g	3	
h	5.1	
i	17.2	
j	5	
k	4	
l		
m		
n		
o		
p		
q		
r		
s		
t		
u		
v		
w		
x		
y		
z	6B	



BEGIN ___ MILE ODOMETER CHECK ___ FT AHEAD		
APPROVED 1/1/73	DATE OF REV.	SIGN NUMBER X1-1

- NOTES: 1. All dimensions are in inches.
2. Color - Black legend and border on white reflectorized background.

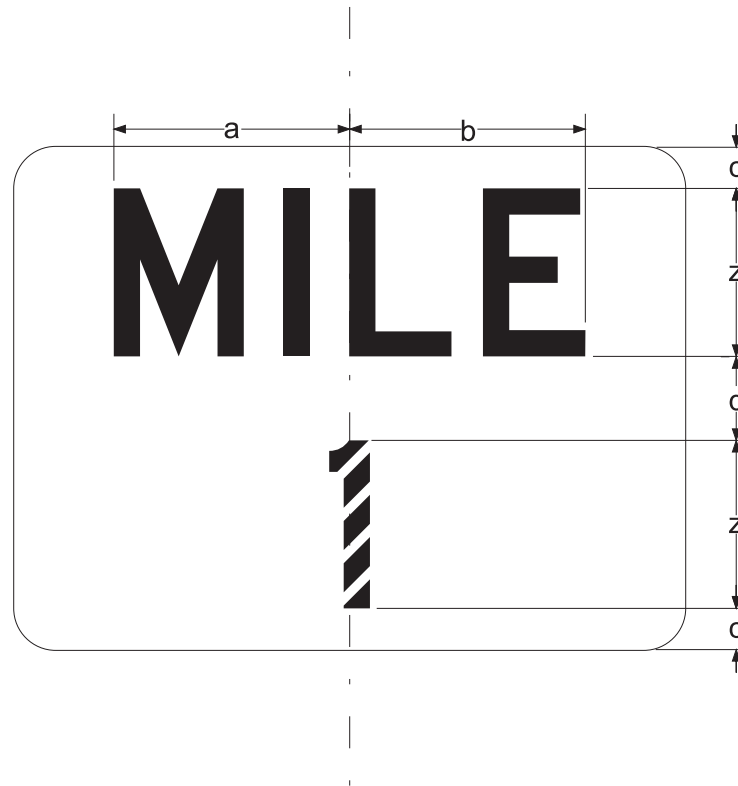
SIZE DIMENSION	60 X 36	
RADIUS	2.25	
MARGIN	.63	
BORDER	.88	
a	4.7	
b	7.4	
c	24.5	
d	2.3	
e	16.3	
f	20	
g	1.4	
h	8.6	
i	8.6	
j	12.7	
k	5	
l	4	
m	8	
n		
o	2.8	
p	3.2	
q	.5	
r	.5	
s	6	
t		
u		
v		
w		
x		
y		
z	6B	



BEGIN (END) ODOMETER CHECK HERE		
APPROVED 1/1/73	DATE OF REV. 	

- NOTES: 1. All dimensions are in inches.
2. Color - Black legend and border on white reflectorized background.

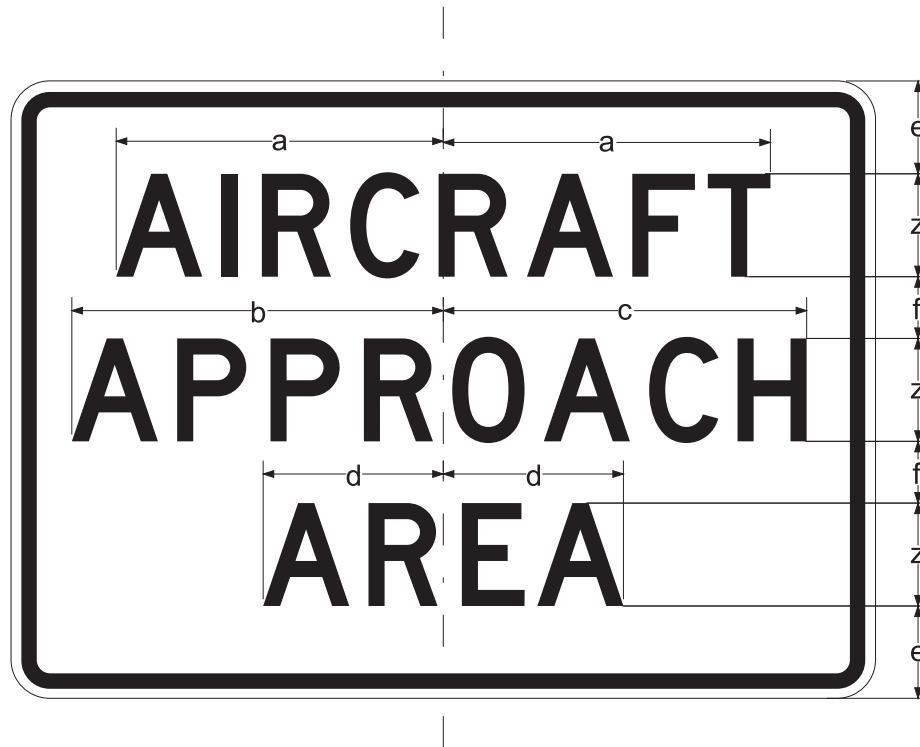
SIZE DIMENSION	24 X 18	
RADIUS	1.5	
MARGIN		
BORDER		
a	8.4	
b	8.4	
c	1.5	
d	3	
e		
f		
g		
h		
i		
j		
k		
l		
m		
n		
o		
p		
q		
r		
s		
t		
u		
v		
w		
x		
y		
z	6D	



MILE ____ (Odometer Check)		
APPROVED 1/1/73	DATE OF REV.	

- NOTES:
1. All dimensions are in inches.
 2. Color - Black legend and border on white reflectorized background.
 3. Appropriate mileage to be specified.

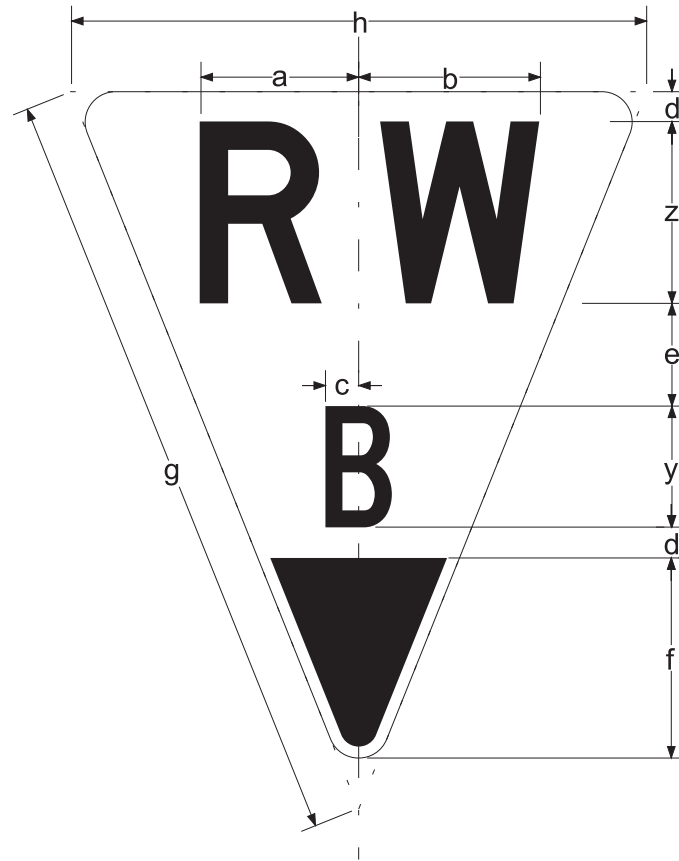
SIZE DIMENSION	42 X 30	72 X 48
RADIUS	1.88	3
MARGIN	.5	.75
BORDER	.75	1.25
a	15.9	25.4
b	18	28.8
c	17.7	28.3
d	8.7	14
e	4.5	7
f	3	5
g		
h		
i		
j		
k		
l		
m		
n		
o		
p		
q		
r		
s		
t		
u		
v		
w		
x		
y		
z	5D	8D



AIRCRAFT APPROACH AREA		
APPROVED 6/1/73	DATE OF REV.	

- NOTES: 1. All dimensions are in inches.
2. Color - Black legend and border on white reflectorized background.

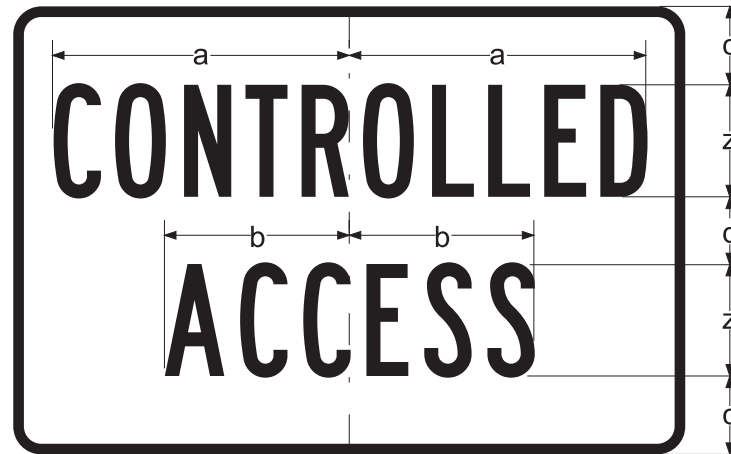
SIZE DIMENSION	9.5 X 12.75	
RADIUS	.5	
MARGIN		
BORDER		
a	2.6	
b	3	
c	.55	
d	.5	
e	1.7	
f	3.3	
g	12.75	
h	9.5	
i		
j		
k		
l		
m		
n		
o		
p		
q		
r		
s		
t		
u		
v		
w		
x		
y	2C	
z	3D	




Right of Way Boundary Marker		
APPROVED 1/1/73	DATE OF REV.	

- NOTES: 1. All dimensions are in inches.
2. Color - Green legend and bottom section on white background, all non-reflectorized.

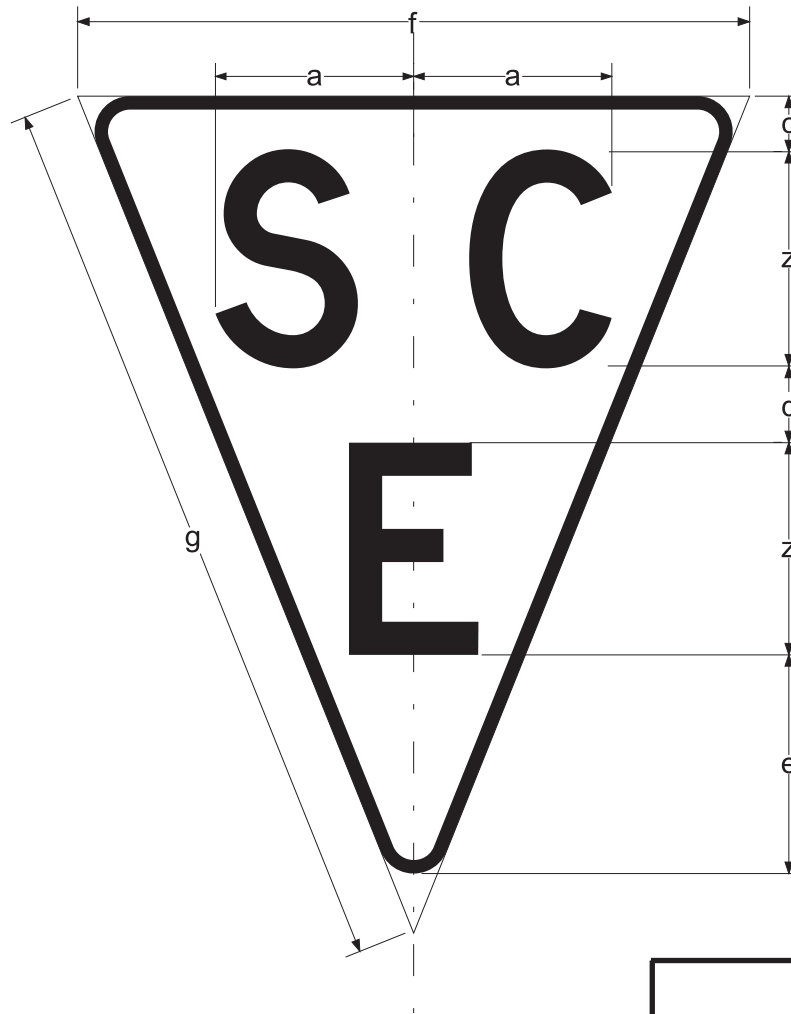
SIZE DIMENSION	12 X 8	
RADIUS	.5	
MARGIN		
BORDER	.19	
a	5.3	
b	3.3	
c	1.4	
d	1.2	
e		
f		
g		
h		
i		
j		
k		
l		
m		
n		
o		
p		
q		
r		
s		
t		
u		
v		
w		
x		
y		
z	2B	



CONTROLLED ACCESS		
APPROVED	DATE OF REV.	SIGN NUMBER
1/1/73		X3-2

- NOTES: 1. All dimensions are in inches.
2. Color - Black legend and border on white non-reflectorized background.

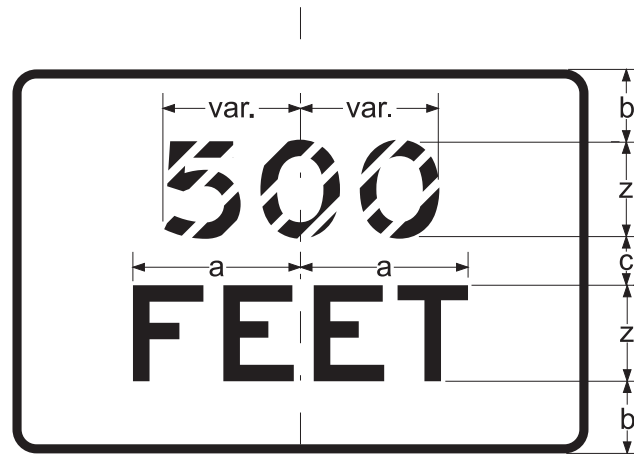
SIZE DIMENSION	9.5 X 12.75	
RADIUS	.5	
MARGIN		
BORDER	.19	
a	2.8	
b	.9	
c	.8	
d	1.1	
e	3.1	
f	9.5	
g	12.75	
h		
i		
j		
k		
l		
m		
n		
o		
p		
q		
r		
s		
t		
u		
v		
w		
x		
y		
z	3D	



Scenic Easement Marker		
APPROVED	DATE OF REV.	
1/1/73		X3-3

- NOTES: 1. All dimensions are in inches.
2. Color - Green legend and bottom section on white background, all non-reflectorized.

SIZE DIMENSION	12 X 8	
RADIUS	.5	
MARGIN		
BORDER	.19	
a	3.5	
b	1.5	
c	1	
d		
e		
f		
g		
h		
i		
j		
k		
l		
m		
n		
o		
p		
q		
r		
s		
t		
u		
v		
w		
x		
y		
z	2E	



___ FEET (Scenic Easement Marker)		
APPROVED 1/1/73	DATE OF REV.	

- NOTES:
1. All dimensions are in inches.
 2. Color - Black legend and border on white non-reflectorized background.
 3. Appropriate numerals to be specified.

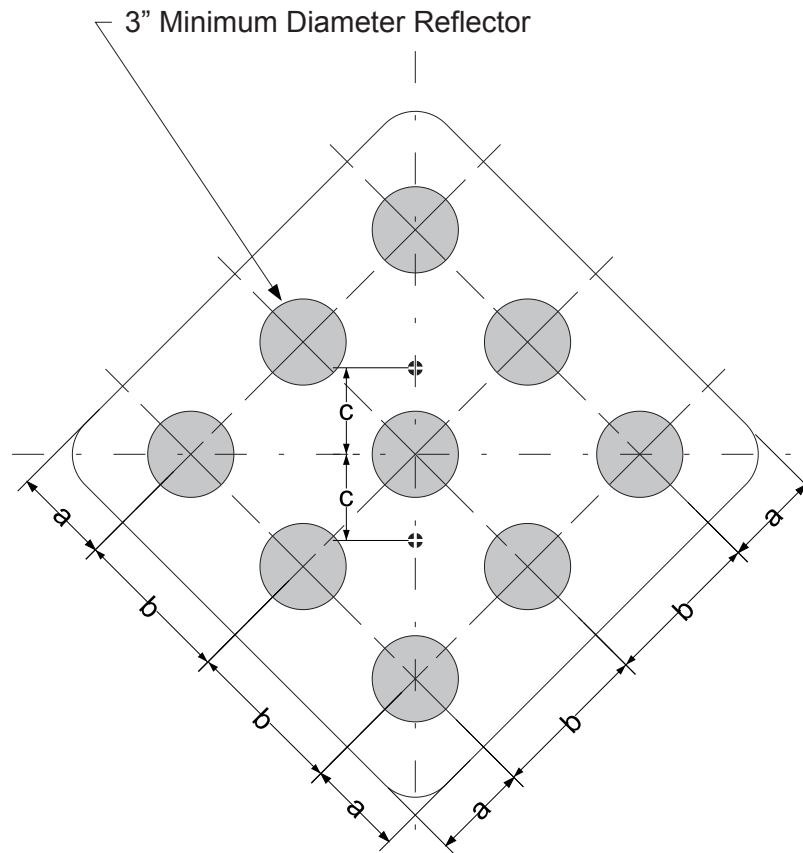
SIZE DIMENSION	18 X 12	
RADIUS	1.5	
MARGIN	.38	
BORDER	.38	
a	7.6	
b	.2	
c	1.5	
d	5.9	
e	7.1	
f	2.8	
g	1.1	
h	.7	
i	1	
j	1.7	
k		
l		
m		
n		
o		
p		
q		
r		
s		
t		
u		
v		
w		
x		
y	2.5D	
z	2C	



KEEP OFF INFILTRATION AREA		
APPROVED 1/1/11	DATE OF REV.	

- NOTES: 1. All dimensions are in inches.
2. Color - Black border, upper portion of sign, and lower legend; yellow reflectorized KEEP OFF and background.

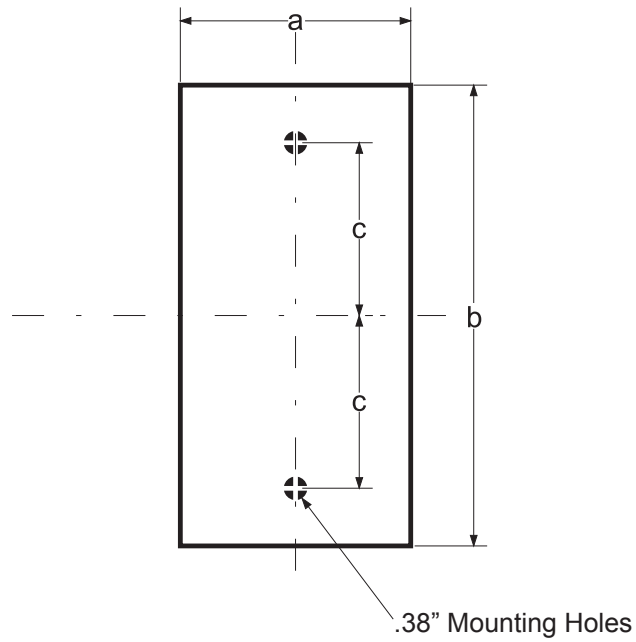
SIZE DIMENSION	18 X 18	
RADIUS	1.5	
MARGIN BORDER		
a	3.5	
b	5.5	
c	3	
d		
e		
f		
g		
h		
i		
j		
k		
l		
m		
n		
o		
p		
q		
r		
s		
t		
u		
v		
w		
x		
y		
z		



Type 1 Object Marker		
APPROVED	DATE OF REV.	
1/1/73	5/1/13	X4-2

- NOTES: 1. All dimensions are in inches.
 2. Color - Yellow reflectors on yellow or black non-reflectorized background.

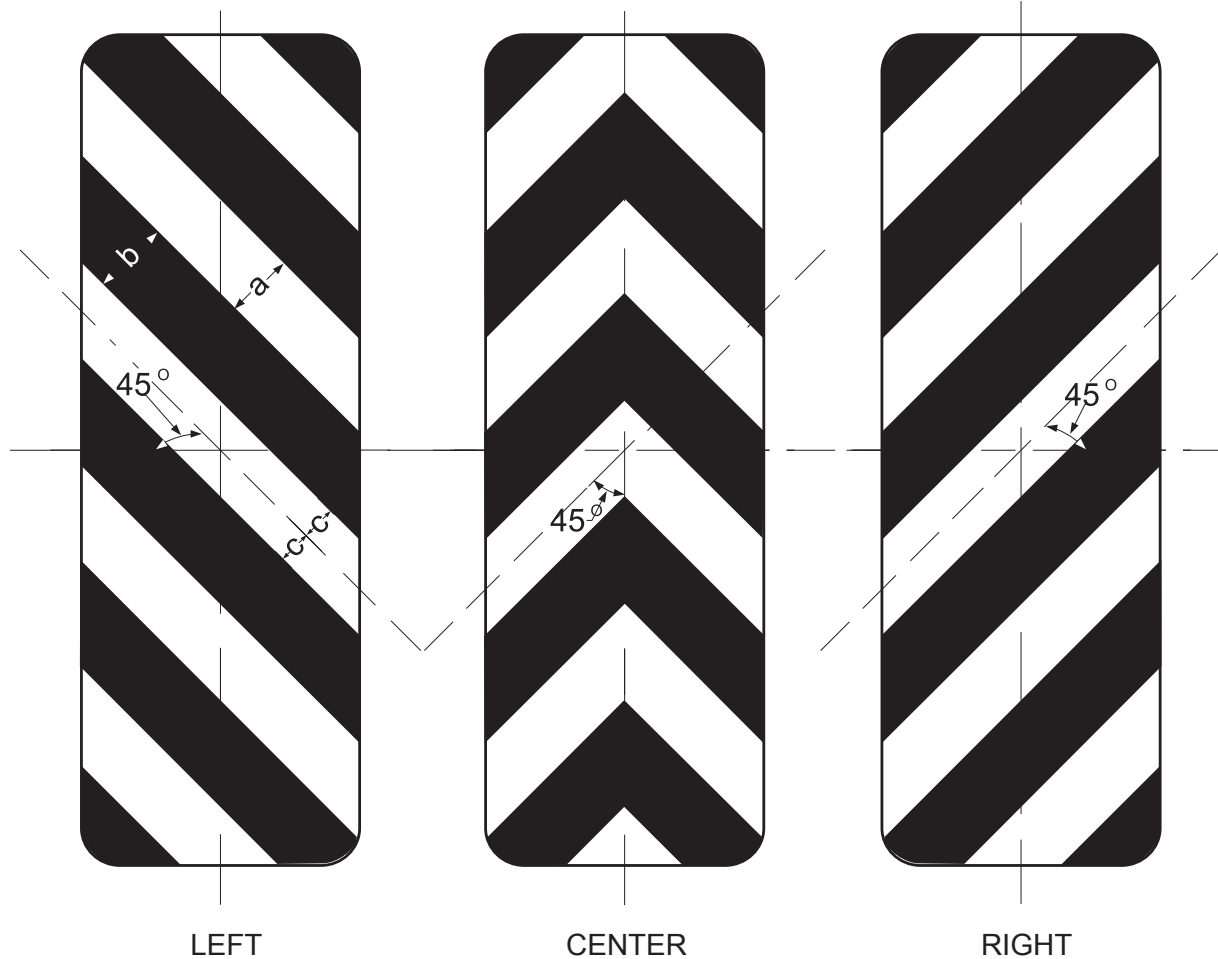
SIZE DIMENSION	6 X 12	
RADIUS		
MARGIN		
BORDER		
a	6	
b	12	
c	4.5	
d		
e		
f		
g		
h		
i		
j		
k		
l		
m		
n		
o		
p		
q		
r		
s		
t		
u		
v		
w		
x		
y		
z		



Type 2 Object Marker		
APPROVED	DATE OF REV.	
1/1/02	12/1/15	X4-3

NOTES: 1. All dimensions are in inches.
2. Color - Yellow reflectorized.

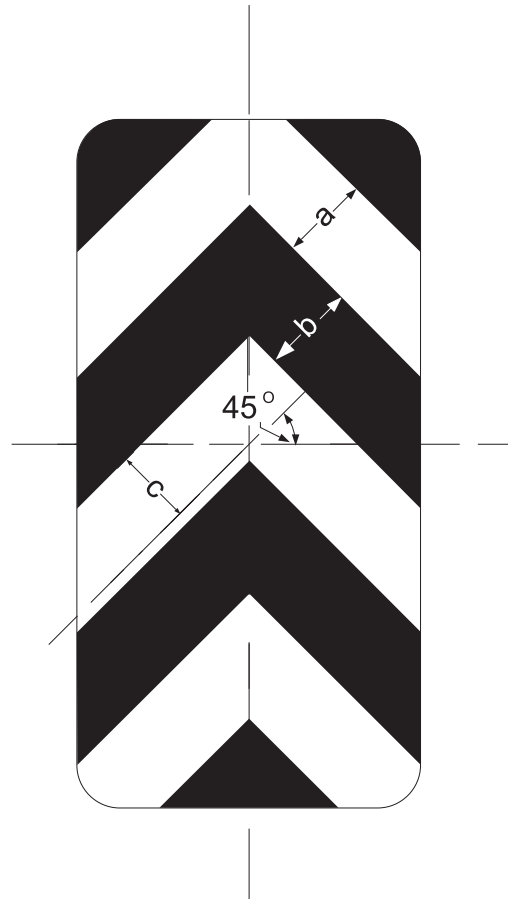
SIZE DIMENSION	12 X 36
	18 X 36
	12 X 18
	18 X 18
	12 X 12
RADIUS	1.5
MARGIN	
BORDER	
a	3
b	3.2
c	1.5
d	
e	
f	
g	
h	
i	
j	
k	
l	
m	
n	
o	
p	
q	
r	
s	
t	
u	
v	
w	
x	




Type 3 Object Marker		
APPROVED	DATE OF REV.	
1/1/73	12/1/15	X4-4 (1 of 2)

- NOTES:
1. All dimensions are in inches.
 2. Color - Black stripes on yellow reflectorized background.
 3. 12" X 24" size is to be used on exit gores of interchange ramps to assist with snowplow operations.
 4. 12 X 18, 18 X 18, 12 X 12 sizes to be used on guardrail approach ends.

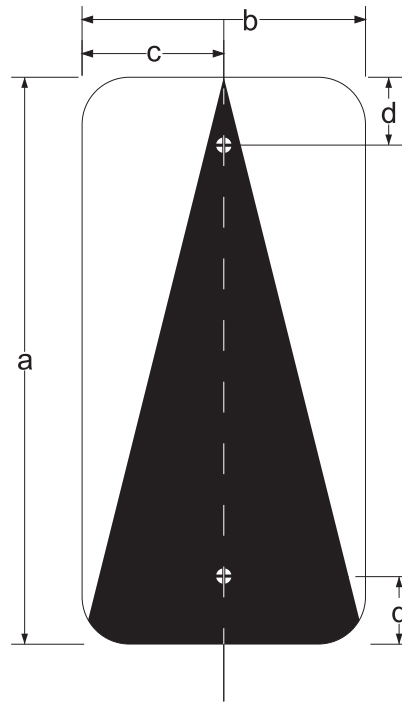
SIZE DIMENSION	12 X 24	
RADIUS	1.5	
MARGIN		
BORDER		
a	3	
b	3.2	
c	2.75	
d		
e		
f		
g		
h		
i		
j		
k		
l		
m		
n		
o		
p		
q		
r		
s		
t		
u		
v		
w		
x		
y		
z		



- NOTES:
1. All dimensions are in inches.
 2. Color - Black stripes on yellow reflectorized background.
 3. 12" X 24" size is to be used on exit gores of interchange ramps to assist with snowplow operations.

Type 3 Object Marker		
APPROVED	DATE OF REV.	SIGN NUMBER
1/1/73	11/5/13	X4-4 (2 of 2)

SIZE DIMENSION	6 X 12	
RADIUS	1	
MARGIN		
BORDER		
a	12	
b	6	
c	3	
d	1.5	
e		
f		
g		
h		
i		
j		
k		
l		
m		
n		
o		
p		
q		
r		
s		
t		
u		
v		
w		
x		
y		
z		

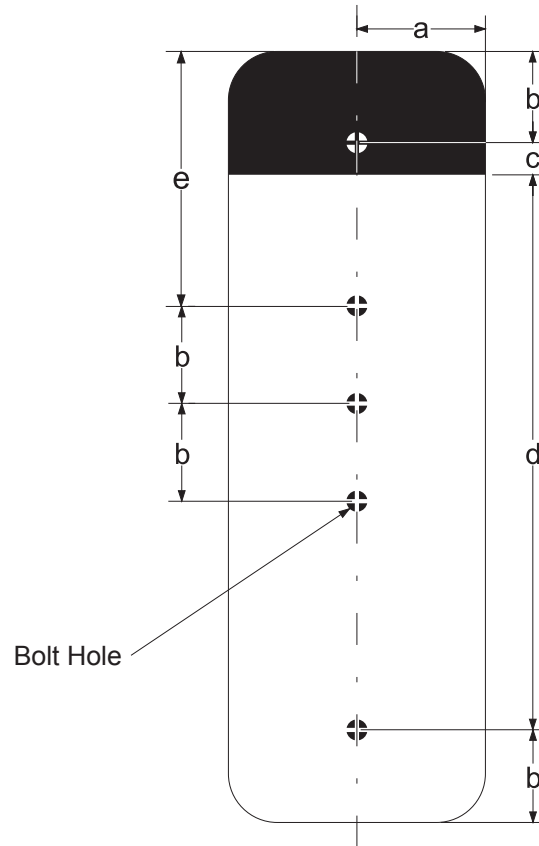


Raise Blade
(Invert to Indicate Lower)

Snowplow Marker		
APPROVED	DATE OF REV.	SIGN NUMBER
4/23/76	1/1/11	X4-5

- NOTES: 1. All dimensions are in inches.
2. Color - Black triangle on yellow reflectorized background.

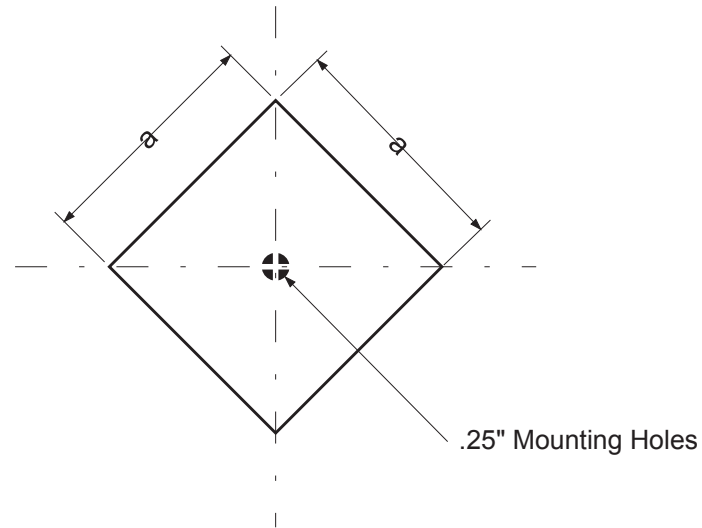
SIZE DIMENSION	8 X 24	
RADIUS	1.5	
MARGIN		
BORDER		
a	4	
b	3	
c	1	
d	17	
e	8	
f		
g		
h		
i		
j		
k		
l		
m		
n		
o		
p		
q		
r		
s		
t		
u		
v		
w		
x		
y		
z		



- NOTES: 1. All dimensions are in inches.
 2. Color - Black band at top on white or yellow diamond grade VIP retroreflective background.
 3. Top and bottom holes are 0.38" diameter; remaining holes are 0.25" diameter.

Guide Delineator		
APPROVED	DATE OF REV.	SIGN NUMBER
1/1/73	9/1/90	X4-6

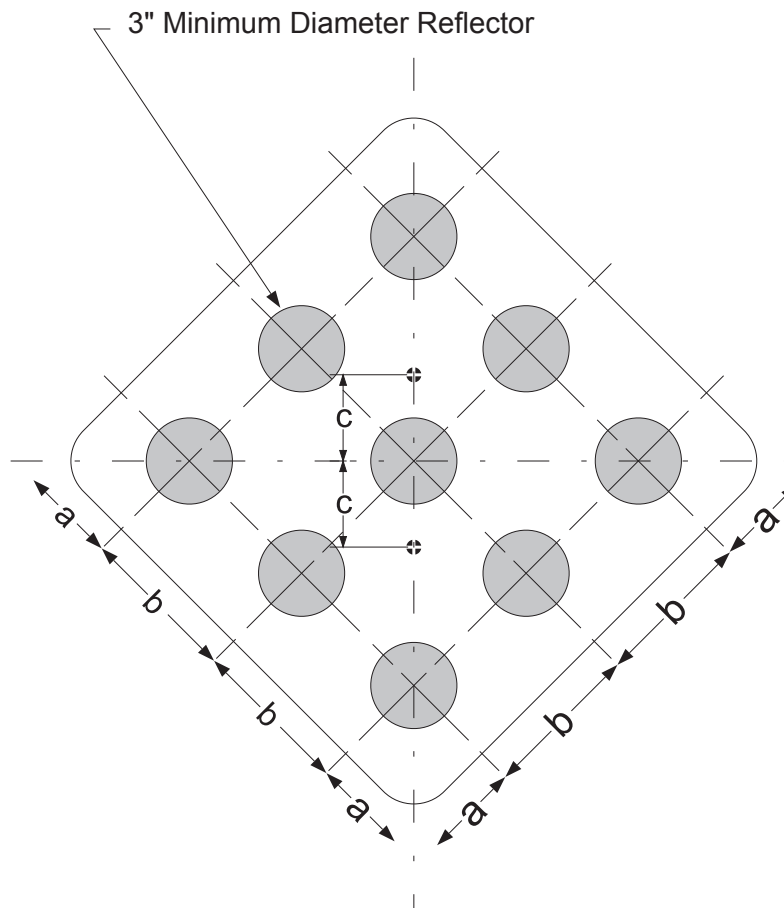
SIZE DIMENSION	4 X 4	
RADIUS		
MARGIN		
BORDER		
a	4	
b		
c		
d		
e		
f		
g		
h		
i		
j		
k		
l		
m		
n		
o		
p		
q		
r		
s		
t		
u		
v		
w		
x		
y		
z		



- NOTES: 1. All dimensions are in inches.
2. Color - White retroreflective background.

One Tenth Mile Delineator		
APPROVED	DATE OF REV.	SIGN NUMBER
1/1/02		X4-8

SIZE DIMENSION	18 X 18	
RADIUS	1.5	
MARGIN BORDER		
a	3.5	
b	5.5	
c	3	
d		
e		
f		
g		
h		
i		
j		
k		
l		
m		
n		
o		
p		
q		
r		
s		
t		
u		
v		
w		
x		
y		
z		



**Type 4 Object Marker for
End of Roadway**



APPROVED

7/1/75

DATE OF REV.

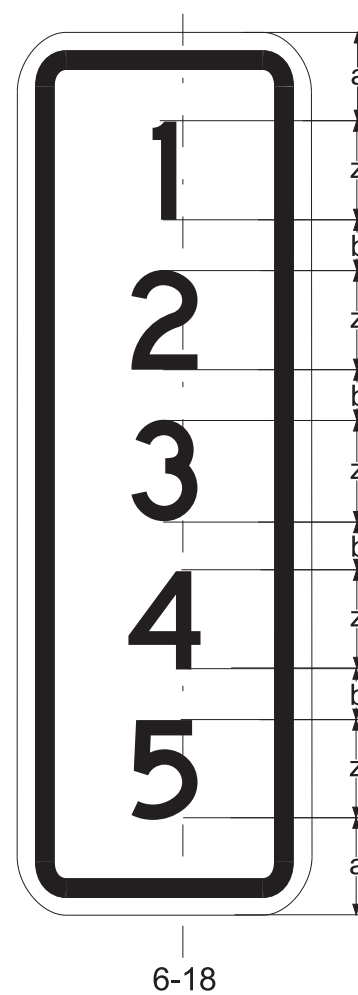
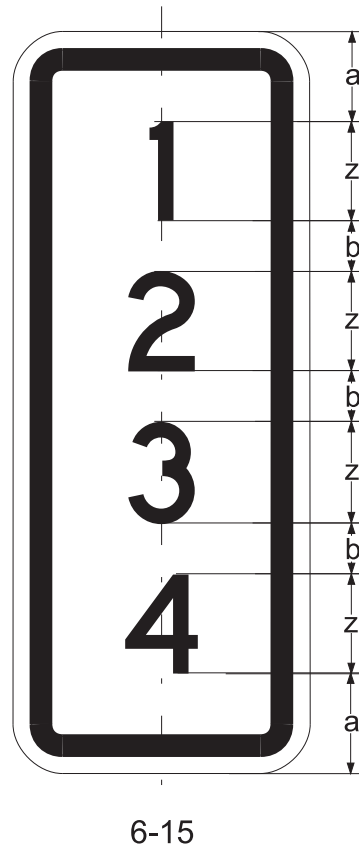
5/1/13

SIGN NUMBER

X4-11

- NOTES: 1. All dimensions are in inches.
2. Color - Red reflectors on red or black non-reflectorized background.

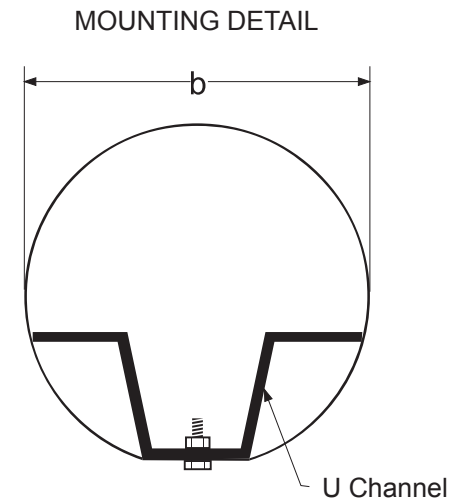
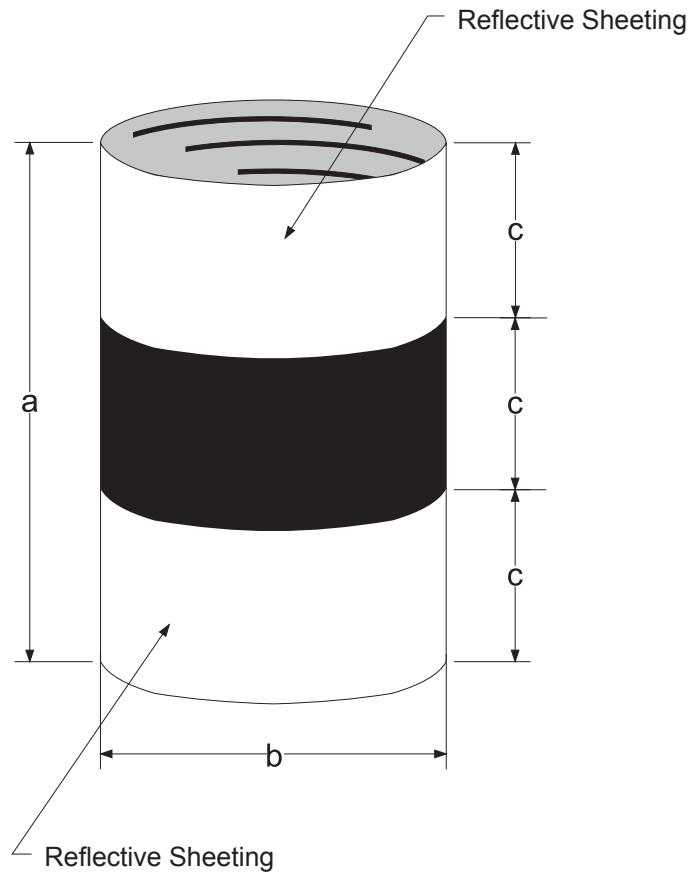
SIZE DIMENSION	6 X 15	6 X 18
RADIUS	1	1.5
MARGIN	.25	.25
BORDER	.25	.25
a	1.7	1.6
b	1.2	1.2
c		
d		
e		
f		
g		
h		
i		
j		
k		
l		
m		
n		
o		
p		
q		
r		
s		
t		
u		
v		
w		
x		
y		
z	2D	2D



Bridge Number Plaque (4 and 5 Digit)		
APPROVED 5/1/13	DATE OF REV.	

- NOTES:
1. All dimensions are in inches.
 2. Color - Black legend and border on white reflectorized background.
 3. Appropriate numerals to be specified.

SIZE DIMENSION		
RADIUS	1.5	
MARGIN BORDER		
a	9 - 12	
b	6 - 8	
c	1/3 of height	
d		
e		
f		
g		
h		
i		
j		
k		
l		
m		
n		
o		
p		
q		
r		
s		
t		
u		
v		
w		
x		
y		
z		



Cylinder Style Delineator



APPROVED

1/1/90

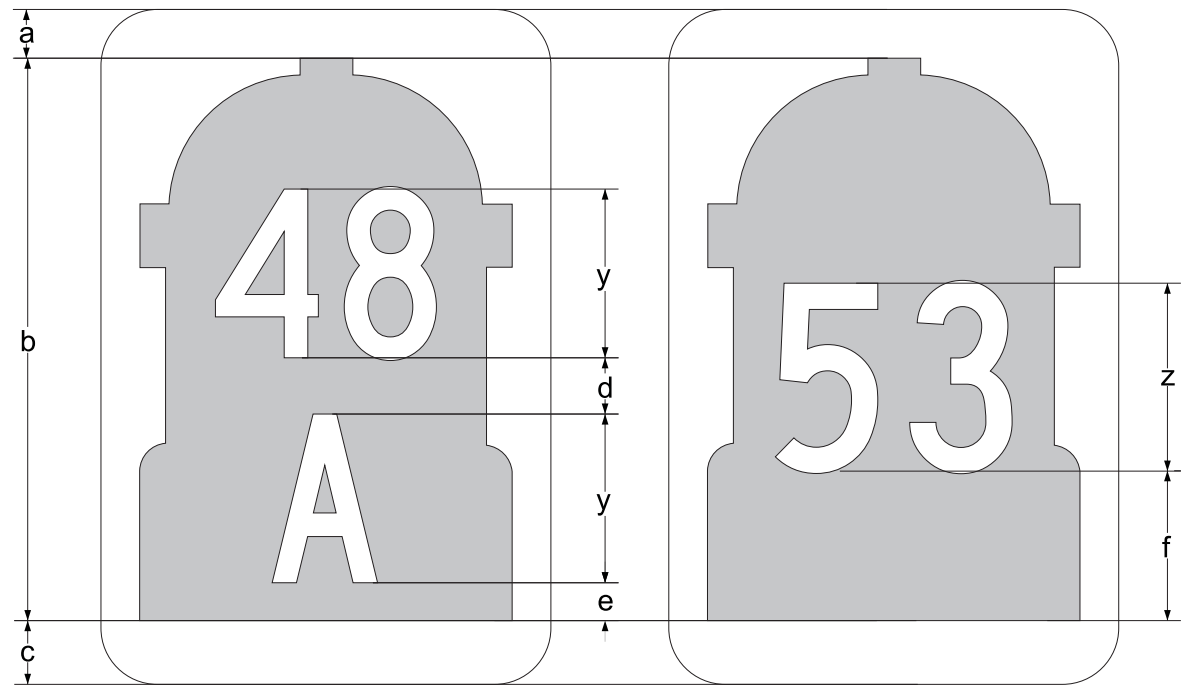
DATE OF REV.

SIGN NUMBER

X4-13

- NOTES: 1. All dimensions are in inches.
2. Color - White or yellow reflectorized stripes on black plastic.

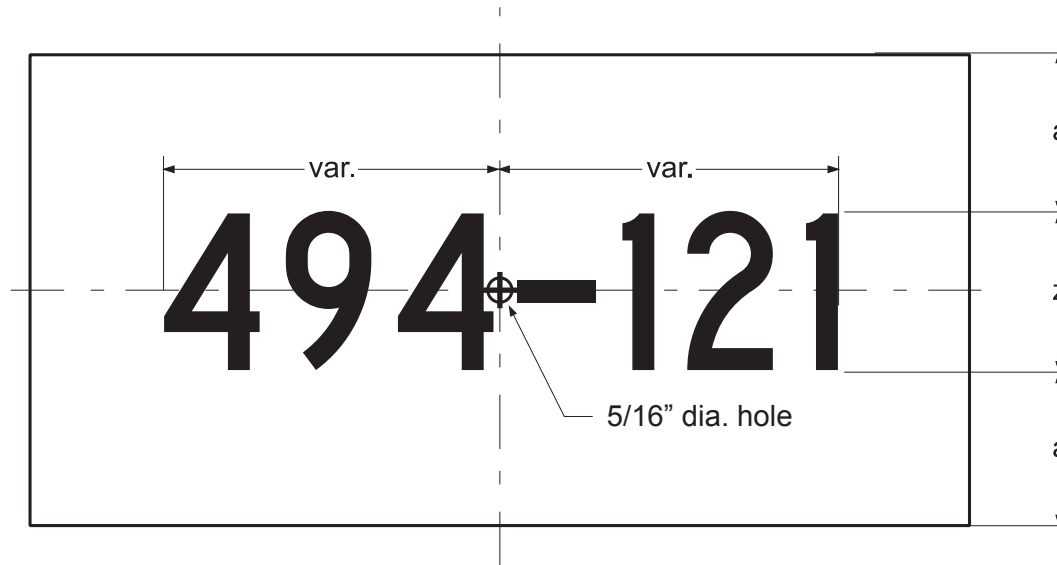
SIZE DIMENSION	8 X 12	12 X 8
RADIUS	.75	1.5
MARGIN		
BORDER		
a	.9	1.3
b	10	15
c	1.1	1.7
d	1	1.5
e	.7	1
f	3	4
g		
h		
i		
j		
k		
l		
m		
n		
o		
p		
q		
r		
s		
t		
u		
v		
w		
x		
y	3C	4.5C
z	3C	5C



Fire Hydrant Marker		
APPROVED	DATE OF REV.	
8/21/06		X4-24

- NOTES: 1. All dimensions are in inches.
2. Color - White legend and background, red hydrant, fully reflectorized.

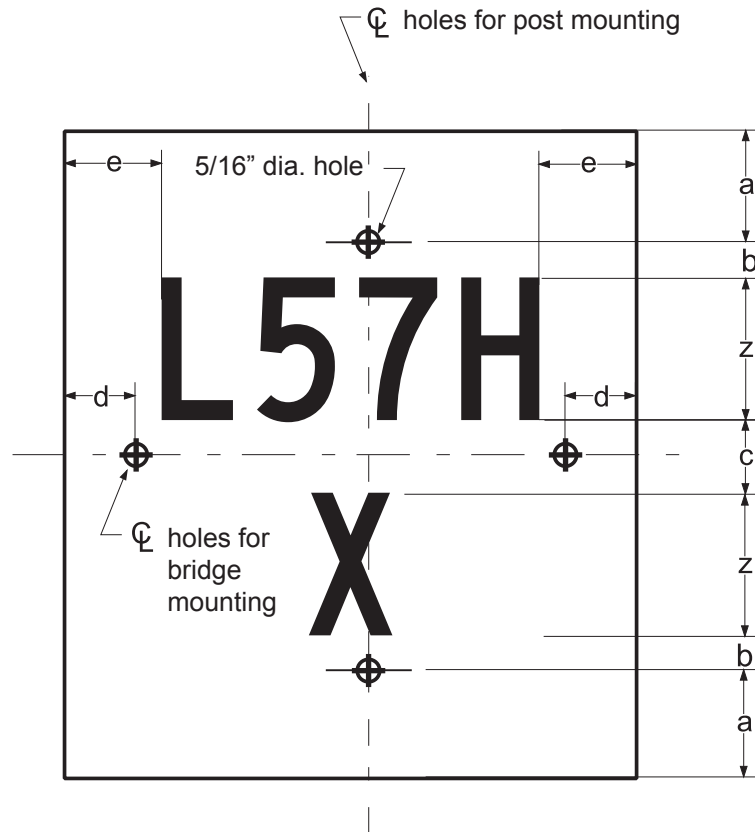
SIZE DIMENSION	12 X 6	
RADIUS		
MARGIN		
BORDER		
a	2	
b		
c		
d		
e		
f		
g		
h		
i		
j		
k		
l		
m		
n		
o		
p		
q		
r		
s		
t		
u		
v		
w		
x		
y		
z	2C	



Overhead Sign Identification Plate		
APPROVED	DATE OF REV.	
11/5/13		X5-1

- NOTES:
1. All dimensions are in inches.
 2. Color - White legend on green reflectorized background.
 3. Appropriate numerals to be specified.

SIZE DIMENSION	8 X 9	
RADIUS		
MARGIN		
BORDER		
a	1.5	
b	.5	
c	1	
d	1	
e	see table	
f		
g		
h		
i		
j		
k		
l		
m		
n		
o		
p		
q		
r		
s		
t		
u		
v		
w		
x		
y		
z	2C	



SPACE BETWEEN EDGE OF PLATE AND NUMERAL/LETTER	
NUMBER OF CHARACTERS	SPACE
3	2
4	1.25

Feed Point Identification Plate		
APPROVED	DATE OF REV.	
11/5/13		X5-2

- NOTES:
1. All dimensions are in inches.
 2. Color - Black legend on yellow reflectorized background.
 3. Appropriate numerals and letters to be specified.