

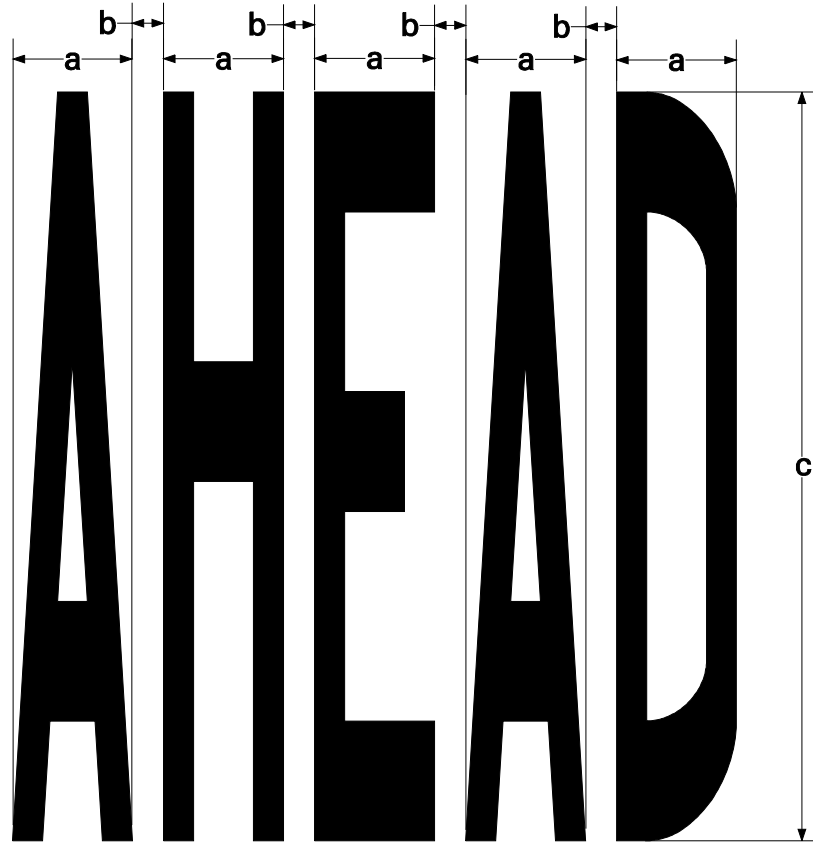
**A B C D E G H I**


**K L M N O P R**

**S T X Y**

Letters are not to scale. Pavement message letters are available as a true type font from the Office of Traffic Engineering. Contact John Benson at 651-284-3445 or [john.benson@dot.state.mn.us](mailto:john.benson@dot.state.mn.us). Additional letters and numerals will be added as needed.

APPROVED	SIZE DIMENSION	4' XING	8' XING
	DATE OF REV.	RADIUS	
MARGIN			
"AHEAD" PAVEMENT MESSAGE	BORDER		
	a	7.7	15.4
	b	2	4
	c	48	96
	d		
	e		
	f		
	g		
	h		
	i		
	j		
	k		
	l		
	m		
	n		
	o		
	p		
	q		
	r		
	s		
	t		
	u		
	v		
	w		
	x		
	y		
z			
SIGN NUMBER	NOTES: 1. All dimensions are in inches. 2. Color shall be white reflectorized material. 3. Letters 4' high are intended for bike lanes and trails only.		

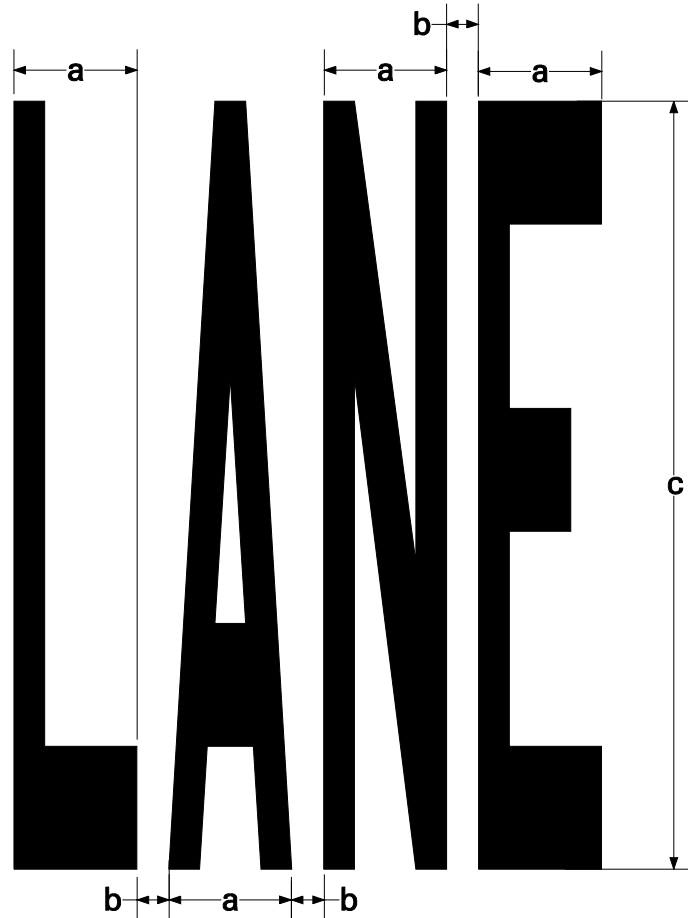


APPROVED	SIZE DIMENSION	4' BIKE		
	RADIUS MARGIN BORDER			
DATE OF REV.	a	7.7		
	b	2		
	c	48		
	d			
	e			
	f			
	g			
	h			
	i			
	j			
	k			
	l			
	m			
	n			
	o			
	p			
	q			
	r			
	s			
	t			
	u			
	v			
	w			
	x			
	y			
	z			
"BIKE" PAVEMENT MESSAGE (FOR BIKE LANES OR TRAILS ONLY)				
				
SIGN NUMBER				

NOTES: 1. All dimensions are in inches.  
2. Color shall be white reflectorized material.



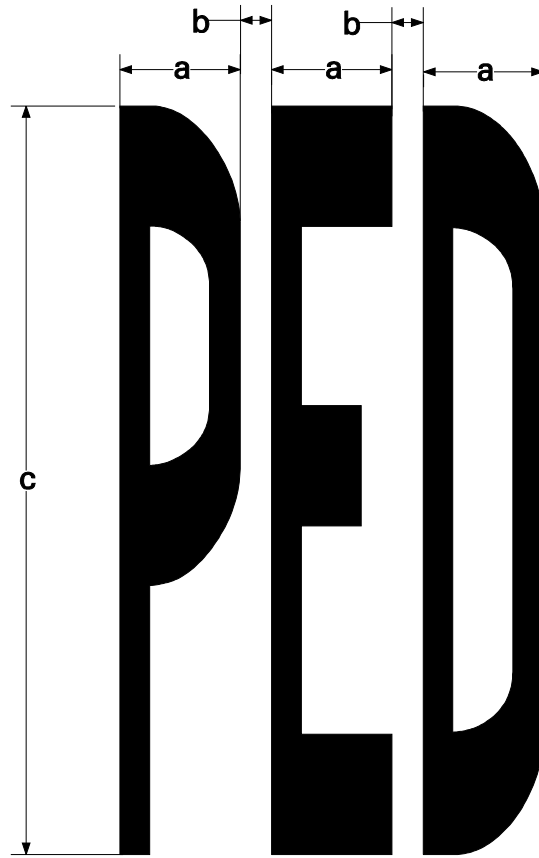
APPROVED	SIZE DIMENSION	4' LANE	8' LANE	
	DATE OF REV.	RADIUS		
"LANE" PAVEMENT MESSAGE	MARGIN			
	BORDER			
	a	7.7	15.4	
	b	2	4	
	c	48	96	
	d			
	e			
	f			
	g			
	h			
	i			
	j			
	k			
	l			
	m			
	n			
	o			
	p			
	q			
	r			
	s			
	t			
	u			
	v			
	w			
	x			
y				
z				
SIGN NUMBER	<p>NOTES: 1. All dimensions are in inches.  2. Color shall be white reflectorized material.  3. Letters 4' high are intended for bike lanes and trails only.</p>			



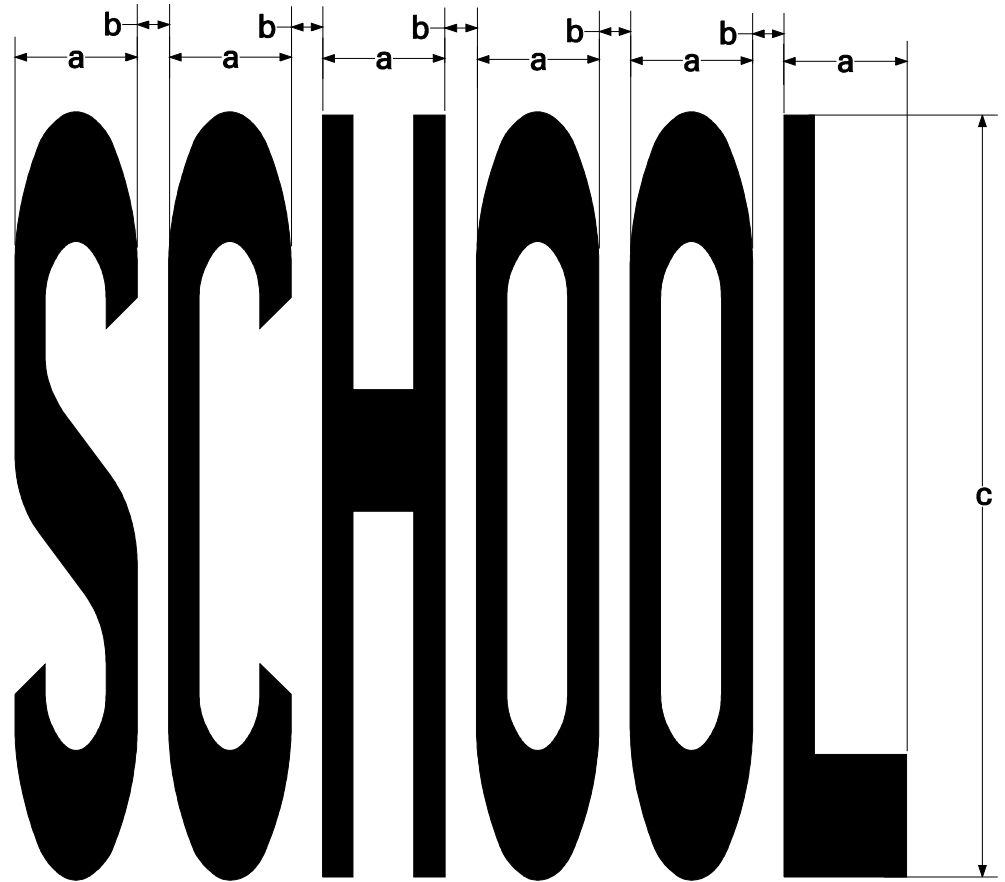
APPROVED	SIZE DIMENSION	4' ONLY	8' ONLY
	DATE OF REV.	RADIUS	
"ONLY" PAVEMENT MESSAGE	MARGIN		
	BORDER		
	a	7.7	15.4
	b	2	4
	c	48	96
	d		
	e		
	f		
	g		
	h		
	i		
	j		
	k		
	l		
	m		
	n		
	o		
	p		
	q		
	r		
	s		
	t		
	u		
	v		
	w		
	x		
y			
z			
SIGN NUMBER	<p>NOTES: 1. All dimensions are in inches.  2. Color shall be white reflectorized material.  3. Letters 4' high are intended for bike lanes and trails only.</p>		



APPROVED	SIZE DIMENSION	4' XING	8' XING	
	RADIUS			
DATE OF REV.	MARGIN			
	BORDER			
"PED" PAVEMENT MESSAGE	a	7.7	15.4	
	b	2	4	
	c	48	96	
	d			
	e			
	f			
	g			
	h			
	i			
	j			
	k			
	l			
	m			
	n			
	o			
	p			
	q			
	r			
	s			
	t			
	u			
	v			
	w			
	x			
	y			
	z			
SIGN NUMBER	NOTES: 1. All dimensions are in inches. 2. Color shall be white reflectorized material. 3. Letters 4' high are intended for bike lanes and trails only.			



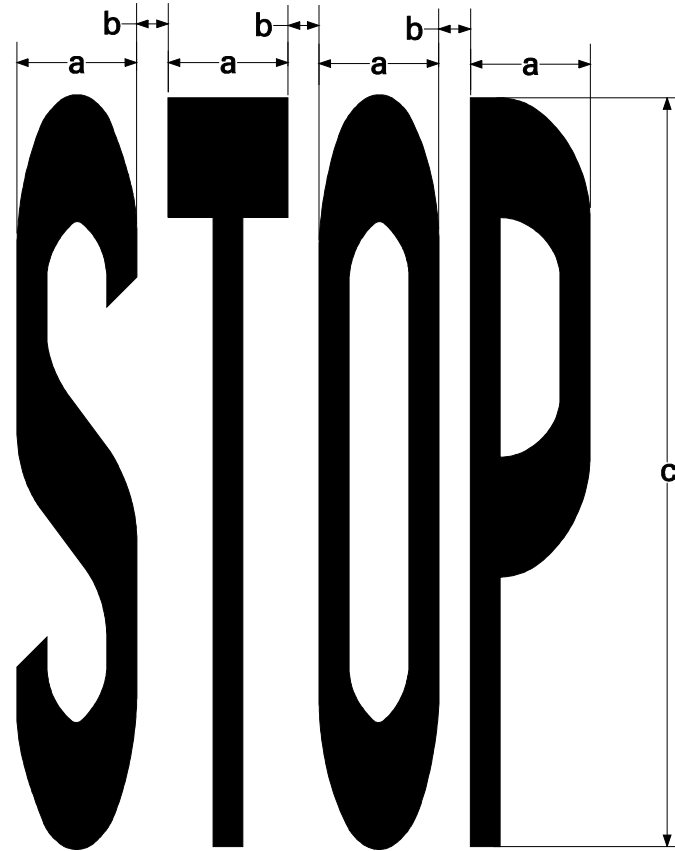
APPROVED	SIZE DIMENSION	4' STOP	8' STOP
	DATE OF REV.	RADIUS	
"SCHOOL" PAVEMENT MESSAGE	MARGIN		
	BORDER		
	a	7.7	15.4
	b	2	4
	c	48	96
	d		
	e		
	f		
	g		
	h		
	i		
	j		
	k		
	l		
	m		
	n		
	o		
	p		
	q		
	r		
	s		
	t		
	u		
	v		
	w		
	x		
y			
z			



SIGN NUMBER

- NOTES: 1. All dimensions are in inches.  
 2. Color shall be white reflectorized material.  
 3. Letters 4' high are intended for bike lanes and trails only.

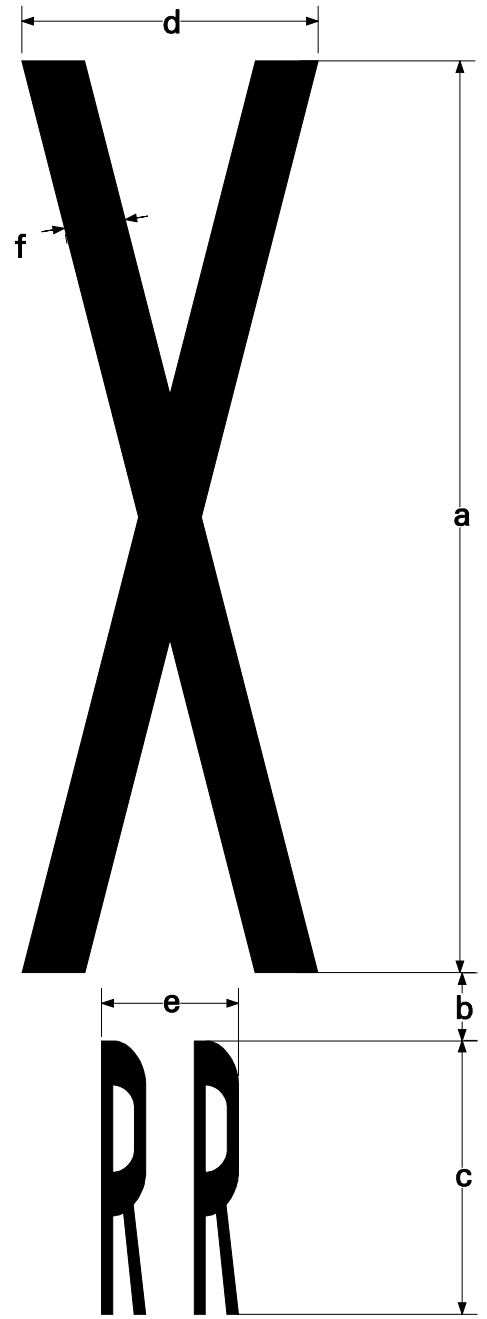
APPROVED	SIZE DIMENSION	4' STOP	8' STOP	
	DATE OF REV.	RADIUS		
"STOP" PAVEMENT MESSAGE	MARGIN			
	BORDER			
	a	7.7	15.4	
	b	2	4	
	c	48	96	
	d			
	e			
	f			
	g			
	h			
	i			
	j			
	k			
	l			
	m			
	n			
	o			
	p			
	q			
	r			
	s			
	t			
	u			
	v			
	w			
	x			
y				
z				
SIGN NUMBER	<p>NOTES: 1. All dimensions are in inches.  2. Color shall be white reflectorized material.  3. Letters 4' high are intended for bike lanes and trails only.</p>			



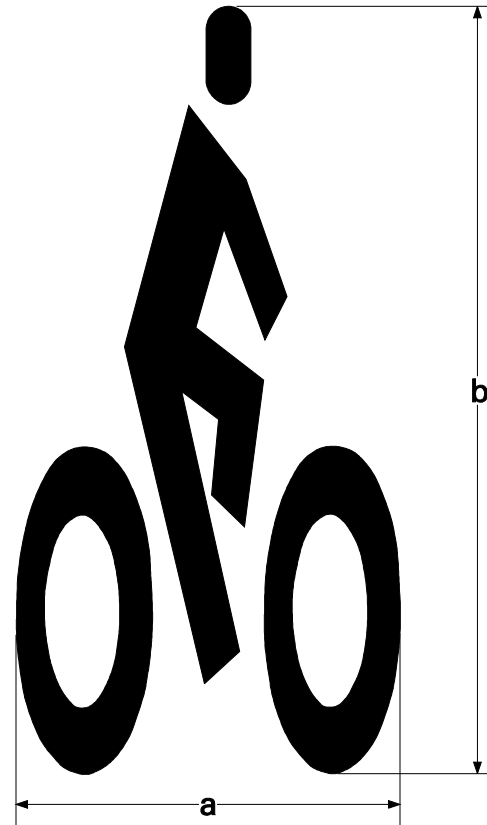
APPROVED	SIZE DIMENSION	4' XING	8' XING	
	RADIUS MARGIN BORDER			
DATE OF REV.	a	7.7	15.4	
	b	2	4	
	c	48	96	
	d			
	e			
	f			
	g			
	h			
	i			
	j			
	k			
	l			
	m			
	n			
	o			
	p			
	q			
	r			
	s			
	t			
	u			
	v			
	w			
	x			
	y			
	z			
"XING" PAVEMENT MESSAGE				
SIGN NUMBER	NOTES: 1. All dimensions are in inches. 2. Color shall be white reflectorized material. 3. Letters 4' high are intended for bike lanes and trails only.			



APPROVED	SIZE		
	DIMENSION		
DATE OF REV.	RADIUS		
	MARGIN		
RAILROAD CROSSING PAVEMENT MARKING	BORDER		
	a	240	
	b	18	
	c	72	
	d	78	
	e	36	
	f	16	
	g		
	h		
	i		
	j		
	k		
	l		
	m		
	n		
	o		
	p		
	q		
	r		
	s		
	t		
	u		
	v		
	w		
	x		
	y		
z			
SIGN NUMBER	NOTES: 1. All dimensions are in inches. 2. Color shall be white reflectorized material.		



APPROVED	SIZE DIMENSION	USE ON 4' WIDE LANES	USE ON 6' WIDE LANES	USE ON 8' WIDE LANES	
	RADIUS				
	MARGIN				
DATE OF REV.	BORDER				
	a	24	36	48	
	b	48	72	96	
DESIGNATED BIKE LANE SYMBOL	c				
	d				
	e				
	f				
	g				
	h				
	i				
	j				
	k				
	l				
	m				
	n				
	o				
	p				
	q				
	r				
	s				
	t				
	u				
	v				
	w				
	x				
	y				
	z				
	SIGN NUMBER	NOTES: 1. All dimensions are in inches.			
		2. Color shall be white reflectorized material.			



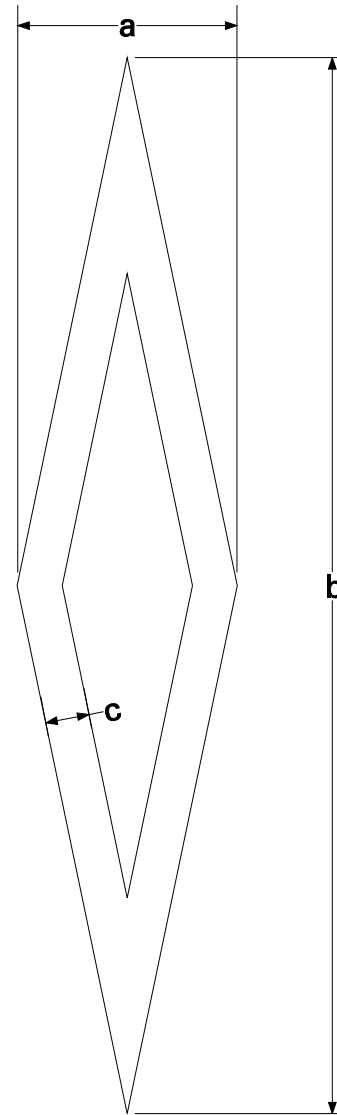
APPROVED	SIZE DIMENSION		
	RADIUS		
DATE OF REV.	MARGIN		
	BORDER		
BIKE TRAIL SYMBOL	a	38.6	
	b	31	
	c		
	d		
	e		
	f		
	g		
	h		
	i		
	j		
	k		
	l		
	m		
	n		
	o		
	p		
	q		
	r		
	s		
	t		
	u		
	v		
	w		
	x		
	y		
	z		
SIGN NUMBER			



NOTES: 1. All dimensions are in inches.  
 2. Color shall be white reflectorized material.



APPROVED	SIZE DIMENSION	6' DIAMOND	12' DIAMOND	
	DATE OF REV.	RADIUS		
HOV PAVEMENT MARKER	MARGIN			
	BORDER			
	a	15	30	
	b	72	144	
	c	3	6	
	d			
	e			
	f			
	g			
	h			
	i			
	j			
	k			
	l			
	m			
	n			
	o			
	p			
	q			
	r			
	s			
	t			
	u			
	v			
	w			
	x			
y				
z				

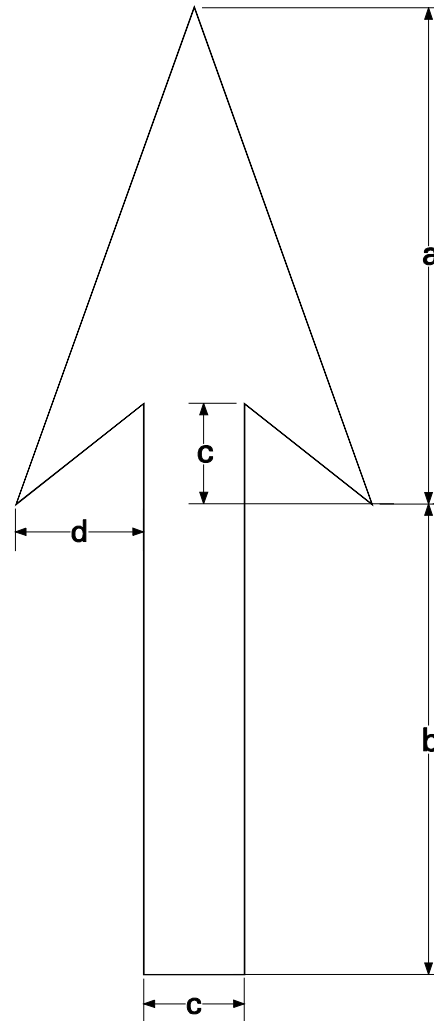



- NOTES: 1. All dimensions are in inches.  
 2. Color shall be white reflectorized material.  
 3. 6' size is for bike trails and lanes only.



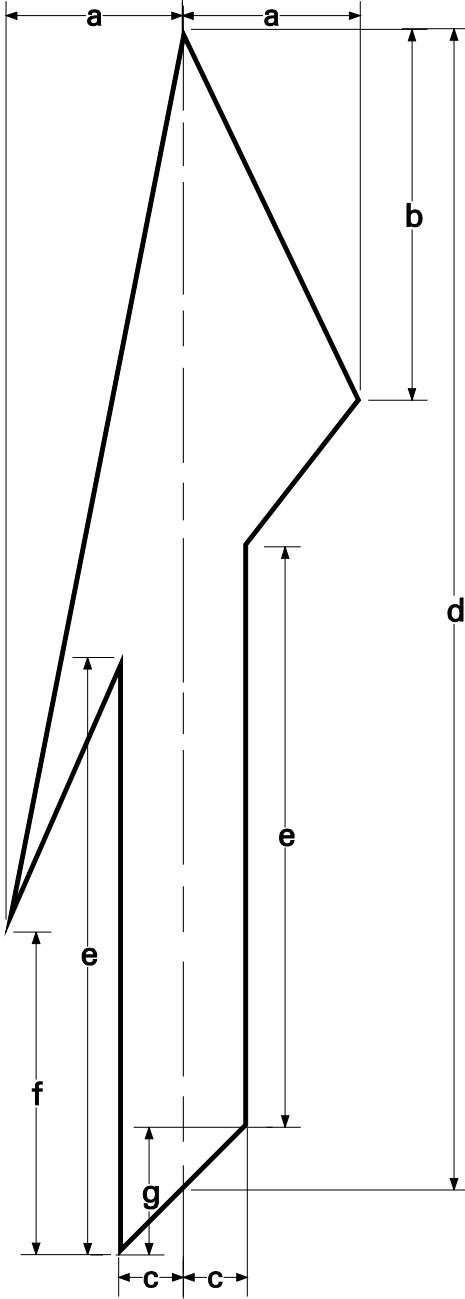
SIGN NUMBER

<b>APPROVED</b>	<b>SIZE DIMENSION</b>	26.5 X 72	42 X 114
	<b>RADIUS MARGIN</b>		
<b>DATE OF REV.</b>	<b>BORDER</b>		
	a	37	60
	b	35	54
	c	7.5	12
	d	9.5	15
	e		
	f		
<b>STRAIGHT PAVEMENT MARKING ARROW</b>	g		
	h		
	i		
	j		
	k		
	l		
	m		
	n		
	o		
	p		
	q		
	r		
	s		
	t		
	u		
	v		
	w		
	x		
	y		
	z		
<b>SIGN NUMBER</b>	<b>NOTES:</b> 1. All dimensions are in inches. 2. The 26.5 x 72 size shall be used for bike trails or bike lanes only.		

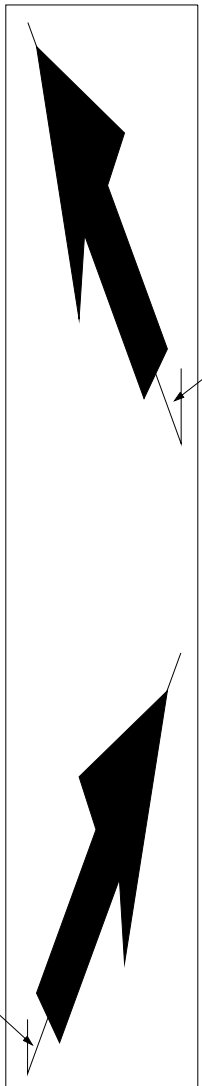


APPROVED	SIZE DIMENSION	5'6" X 19'	
	RADIUS MARGIN BORDER		
DATE OF REV.	a	2'9"	
	b	5'9"	
	c	1'	
	d	18'	
	e	9'	
	f	5'	
	g	2'	
	h		
	i		
	j		
	k		
	l		
	m		
n			
o			
p			
q			
r			
s			
t			
u			
v			
w			
x			
y			
z			
PAVEMENT TRANSITION ARROW			
			
SIGN NUMBER			

NOTES: 1. Right lane arrow is shown.  
For left lane use mirror image.



PLACEMENT  
ON PAVEMENT



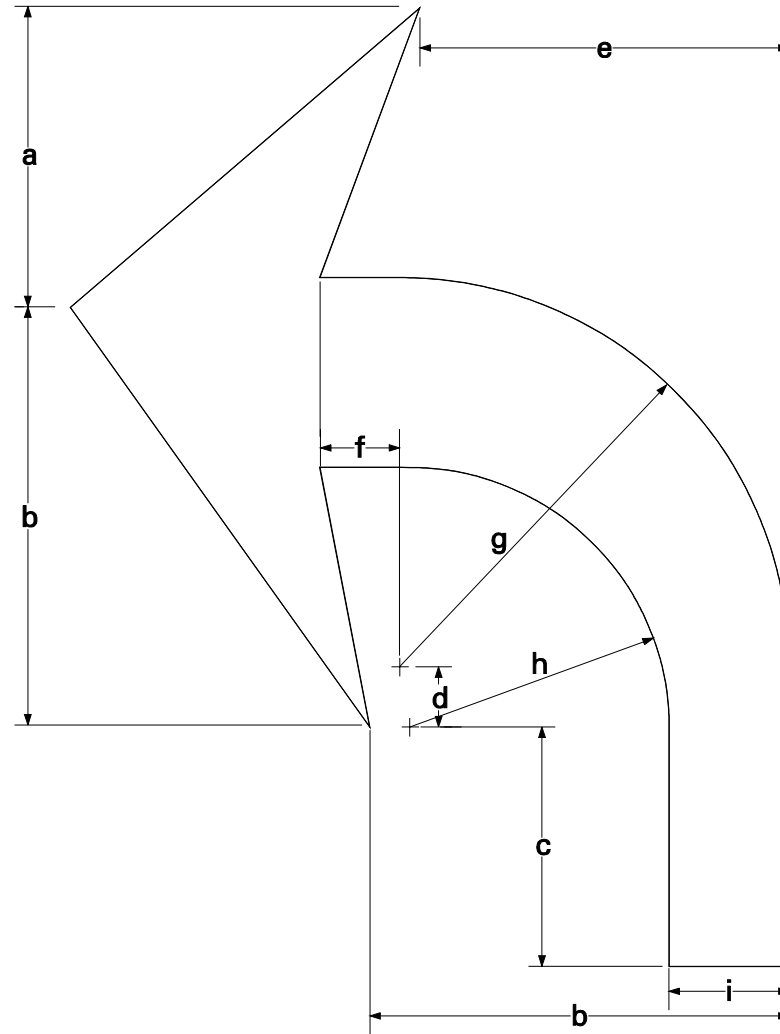
RIGHT  
ARROW

LEFT  
ARROW

20 Degrees

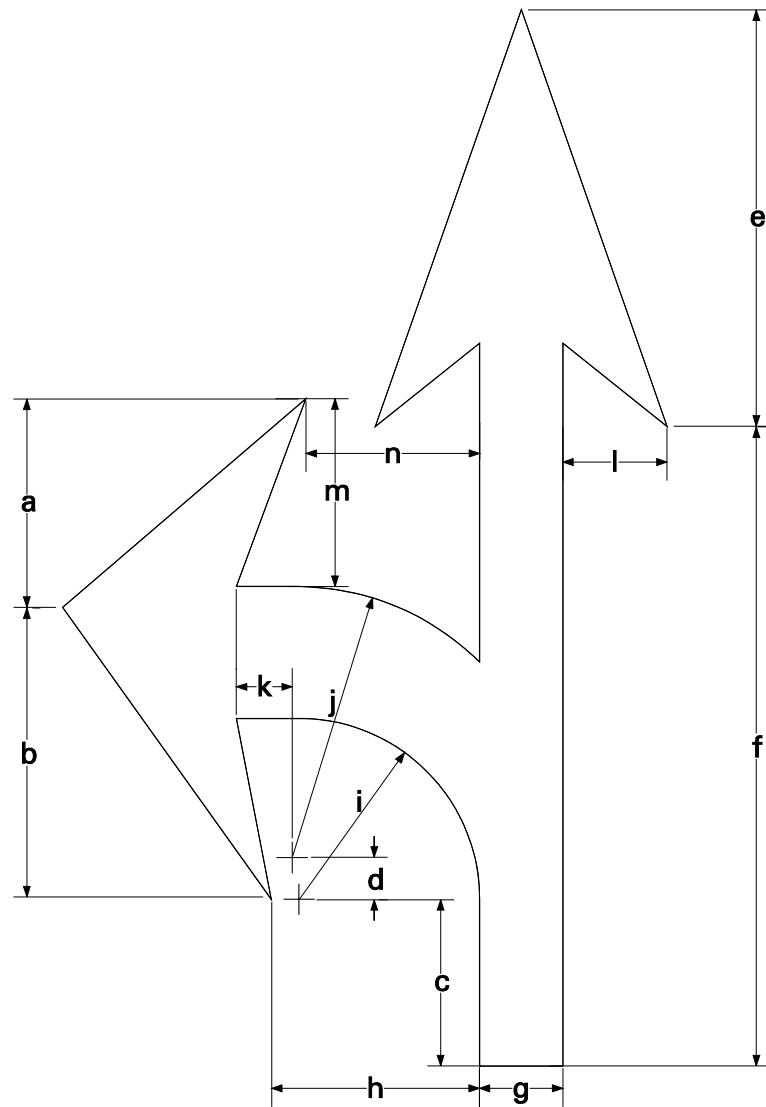
20 Degrees

APPROVED	SIZE DIMENSION	45 X 60	72 X 96
	DATE OF REV.	RADIUS	
TURN PAVEMENT MARKING ARROW	MARGIN		
	BORDER		
	a	19	30
	b	26	42
	c	15	24
	d	4	6
	e	23	37
	f	5	8
	g	24	39
	h	16	26
	i	7.5	12
	j		
	k		
	l		
m			
n			
o			
p			
q			
r			
s			
t			
u			
v			
w			
x			
y			
z			
SIGN NUMBER			



NOTES: 1. All dimensions are in inches.  
 2. 45 x 60 size shall be used for bike trails or bike lanes only.

<b>APPROVED</b>	<b>SIZE DIMENSION</b>	54.5 X 95	87 X 152
	<b>RADIUS</b>		
<b>DATE OF REV.</b>	<b>MARGIN</b>		
	<b>BORDER</b>		
<b>TURN, STRAIGHT PAVEMENT MARKING ARROW</b>	a	19	30
	b	26	42
	c	15	24
	d	4	6
	e	37	60
	f	58	92
	g	7.5	12
	h	18.5	30
	i	16	26
	j	24	39
	k	5	8
	l	9.5	15
	m	17	27
	n	15.5	25
o			
p			
q			
r			
s			
t			
u			
v			
w			
x			
y			
z			
<b>SIGN NUMBER</b>			



NOTES: 1. All dimensions are in inches.  
 2. The 54.5 x 95 size shall be used for bike trails or bike lanes only.