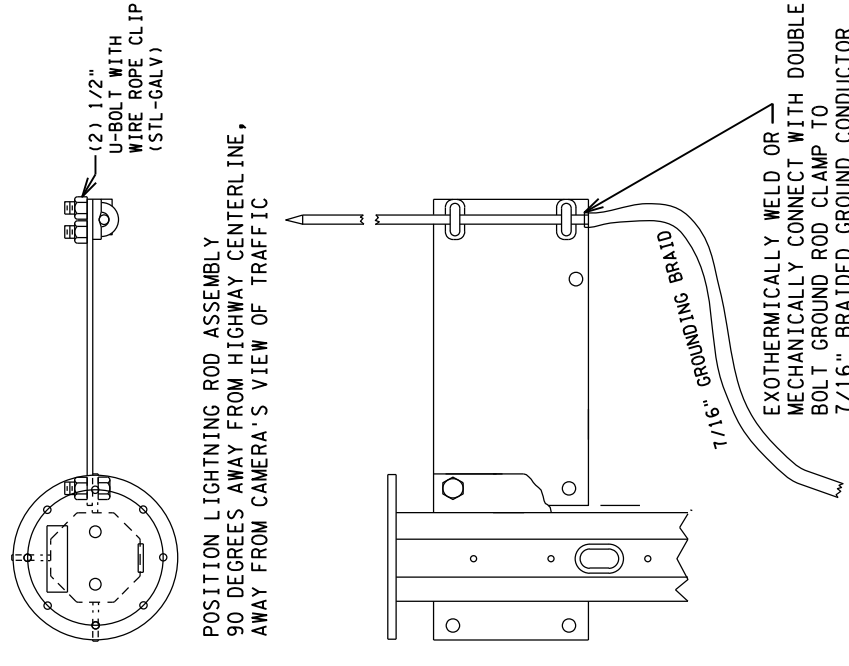
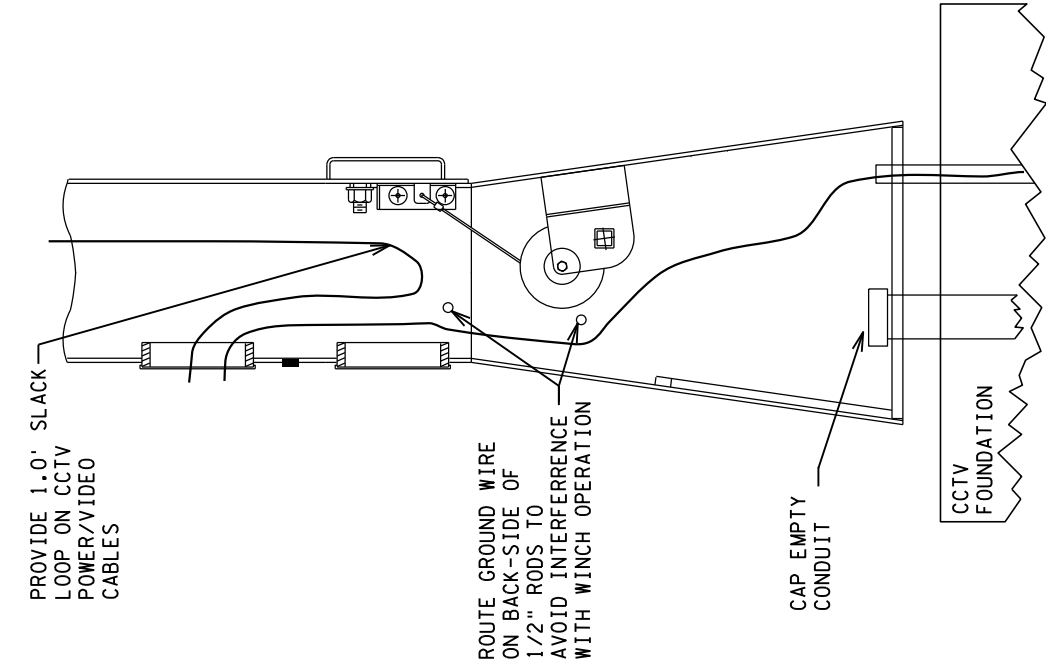


LIGHTNING ROD DETAIL



CABLE ROUTING DETAIL



CCTV POLE INSTALLATION DETAIL

REV. NO.	DATE:	/ /
REV. NO.	DATE:	/ /

CERTIFIED BY _____ LIC. NO. 12345 DATE 2018 STATE PROJ. NO. XXXX-XXX (TH XXX) SHEET NO. XXXX? OF XXXXX SHEETS
 LICENSED PROFESSIONAL ENGINEER