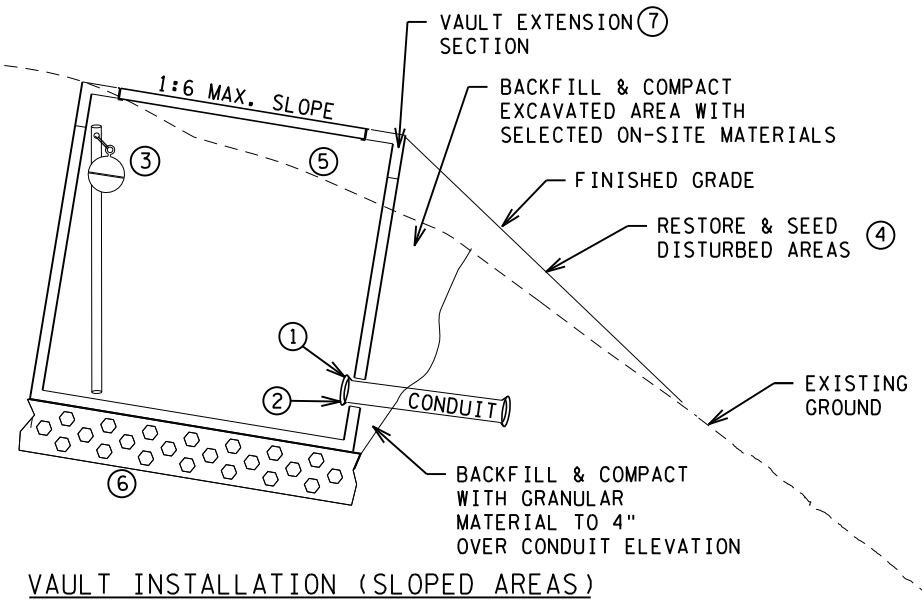
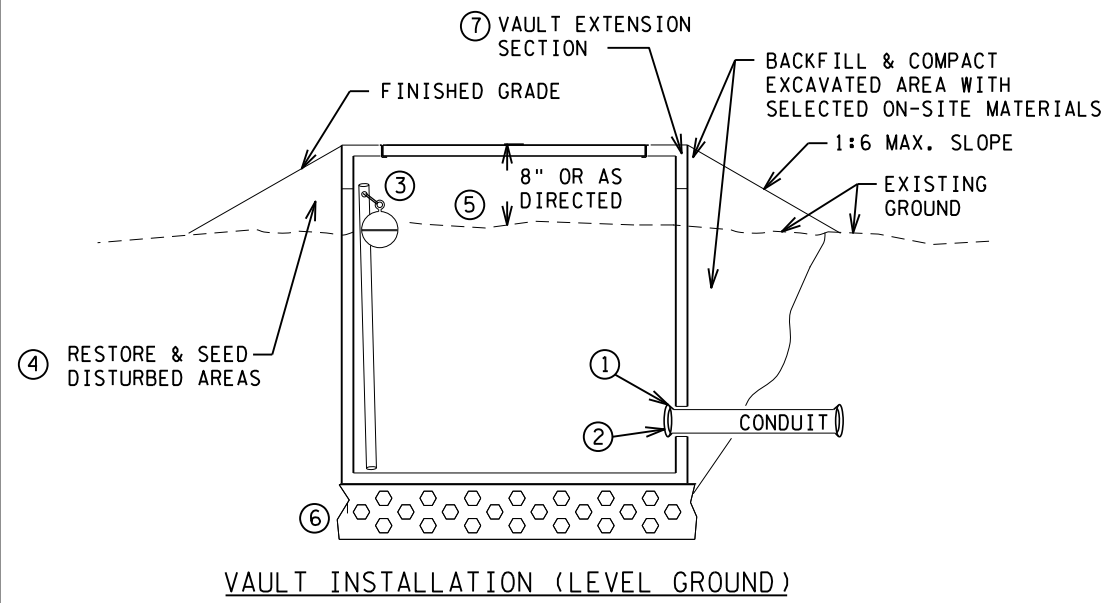


Reut1Ani T79CWW161FRW023 TMS
 pw: \\p81.ad.dot.state.mn.us:cddp\Documents\Projects\DM_F05\Non_Project\FrOps\DetailDrawings\CAB_L00P_MISC\cab_loop_misc.dft1.dwg_PLOTTED: 5/13/2020 2:51:57 PM



VAULT INSTALLATION (SLOPED AREAS)

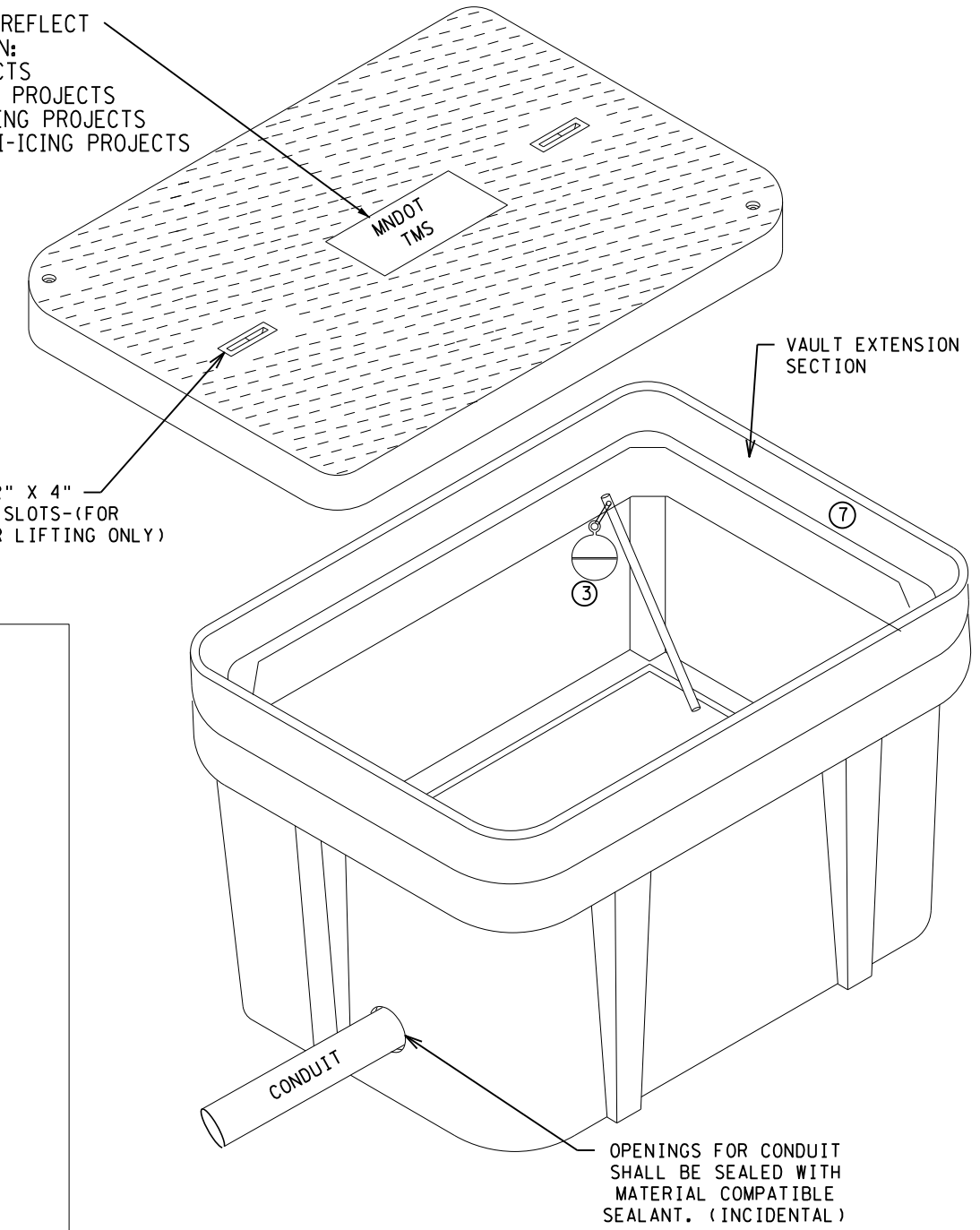


VAULT INSTALLATION (LEVEL GROUND)

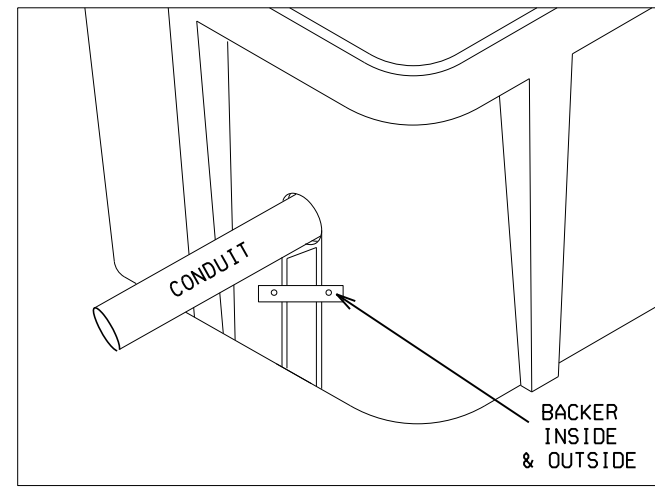
SPECIFIC NOTES

- ① OPENINGS FOR CONDUIT SHALL BE SEALED WITH MATERIAL COMPATIBLE SEALANT. (INCIDENTAL)
- ② F&I BELL ENDS ON THE CONDUITS
PLUG CONDUIT OPENING WITH A DRAINABLE COMPOUND AT VAULTS WITH ACCESS TO CABINETS & POLES (INCIDENTAL)
- ③ LOCATOR BALL ATTACHED WITH BLACK TIE WRAP TO 40' LENGTH OF 3/4" PVC CONDUIT TO SIT WITHIN 6" OF COVER
- ④ RESTORE DISTURBED AREAS FOR TMS INSTALLATION WITH SEED AND ROLLED EROSION PREVENTION CATEGORY 20 PER MNDOT 2575.3 (INCIDENTAL)
- ⑤ STRIP TOPSOIL FROM VAULT AND SLOPE AREAS PRIOR TO VAULT INSTALLATION (INCIDENTAL)
- ⑥ F&I 1.0' COARSE FILTER AGGREGATE UNDER BASE COMPLYING WITH MN/DOT 3149.2H. (INCIDENTAL)
- ⑦ F&I VAULT EXTENSION SECTION AT ALL PULL VAULT INSTALLATIONS TO FACILITATE FUTURE DAMAGE REPAIRS

IDENTIFICATION LOGO TO REFLECT SPECIFIC USE APPLICATION:
 "MNDOT TMS" - ITS PROJECTS
 "MNDOT SIGNALS" - SIGNAL PROJECTS
 "MNDOT LIGHTING" - LIGHTING PROJECTS
 "MNDOT ANTI-ICING" - ANTI-ICING PROJECTS



PULL VAULT INSTALLATION OVER INPLACE CONDUIT



INSTALLATION NOTES

1. REMOVE APPROX. A 2' SECTION OF THE CONDUIT TO BE INTERCEPTED. USE CAUTION NOT TO DAMAGE INPLACE CABLES.
2. F&I BELL ENDS TO THE CONDUITS.
3. CUT A SLOT THE WIDTH OF THE CONDUIT AS HIGH ON THE PULL VAULT SIDE WALL AS NEEDED.
4. SET THE PULL VAULT OVER THE CONDUIT.
5. SET THE CUT OUT PIECE BACK INTO THE OPENING.
6. SCREW/BOLT A BACKER TO THE INSIDE AND OUTSIDE OF THE PULL VAULT TO HOLD THE CUTOUT PIECE IN-PLACE.
7. APPLY A FIBERGLASS RESIN AND MAT OR BODY FILLER ACROSS THE ENTIRE CUTOUT ON THE INSIDE OF THE PULL VAULT.

GENERAL NOTES

1. DO NOT LIFT ENTIRE PULL VAULT WITH COVER ATTACHED BY COVER LIFTING SLOTS.

PULL VAULT INSTALLATION DETAIL

REVISED 5/13/20

REV. NO.	DATE:	/ /
REV. NO.	DATE:	/ /

CERTIFIED BY _____ LIC. NO. 12345 DATE 2018
 LICENSED PROFESSIONAL ENGINEER

STATE PROJ. NO. XXXX-XXX (TH XXX) SHEET NO. XXXX? OF XXXX SHEETS