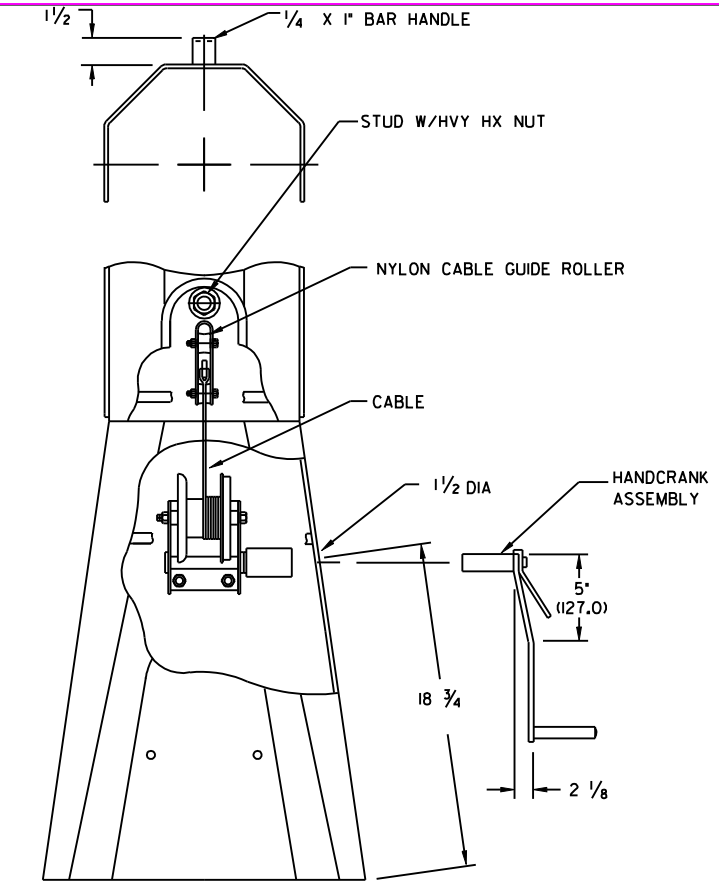
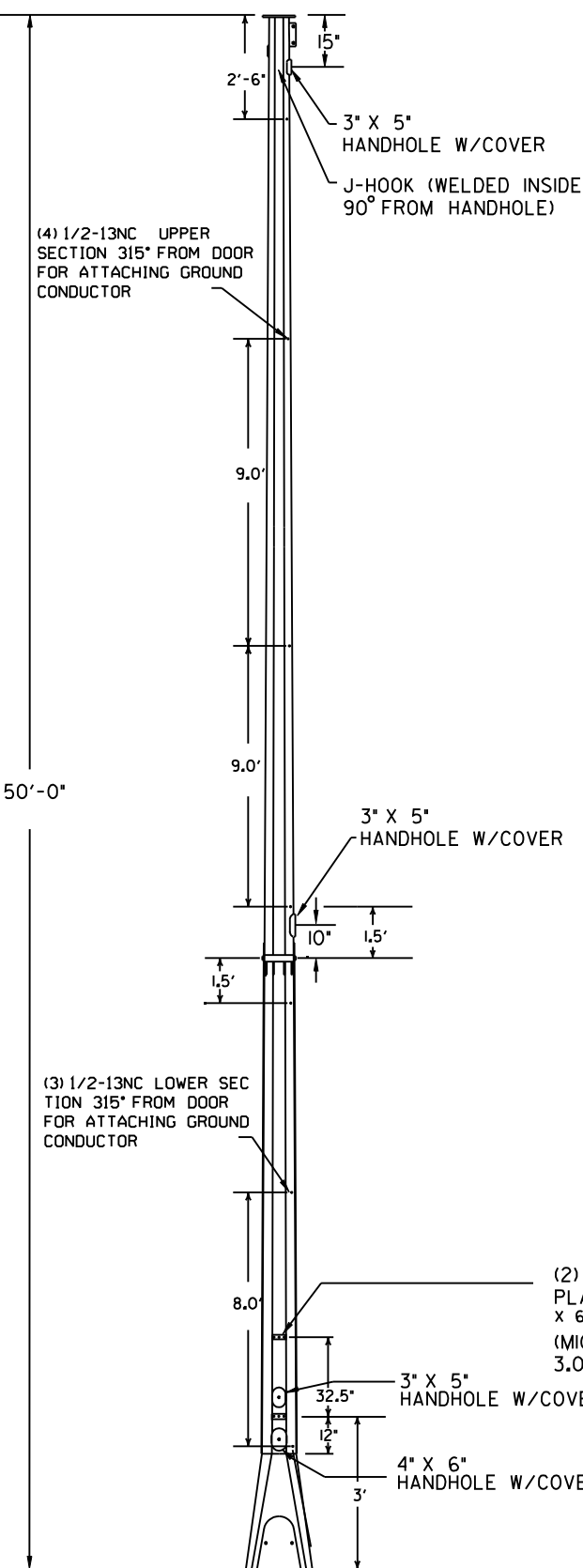


## **TMS / ITS - Approved Products List**

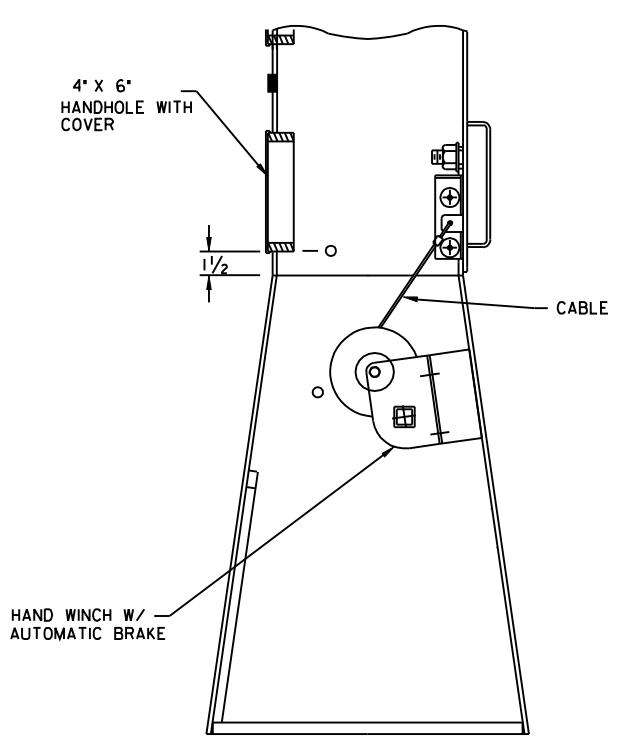
### **TMS / ITS CCTV Folding Pole**

The CCTV Folding Pole design shall be in accordance with the AASHTO Standard Specification of Structural Supports for Highway Signs, Luminaries and Traffic Signals and the following:

- A.** The design criteria shall be as follows:
  - 1. Shall endure a wind velocity of 80mph.
  - 2. Shall endure a dead load of 100 lbs. at top of pole.
  - 3. Shall support a side load of 100 lbs. 5 ft. from base of pole.
  - 4. Service life shall be greater than 20 years.
  - 5. Typical height is 50 ft.
  
- B.** Fabricate from ASTM A572 high carbon steel. Provide a hot dipped galvanized finish.
  
- C.** Shall include the following features:
  - 1. Pole base and access door with electrical grounding provisions for a No. 6 AWG conductor.
  - 2. Mounting plate for a CCTV assembly at top of pole.
  - 3. Mounting plates for a pole mounted CCTV cabinet near the base of the pole.
  - 4. Two internal cable supports with handhole access.
  - 5. Internal cable guides that keep all cables clear of winch assembly and control the bend radius at hinge point.
  - 6. Lightning rod and mounting hardware.
  - 7. Provisions for mounting a lightning rod bracket at three possible points on the pole. Each mounting is 90 degrees apart from the other beginning 90 degrees from cable exit.
  - 8. Cable exit portal near top of pole with cover plate.
  - 9. Provisions for attaching a lightning ground conductor clamps to the side of the pole.
  
- D.** All drawings and dimensions are nominal except for the cabinet mounting plate, pole base and top mounting plate.

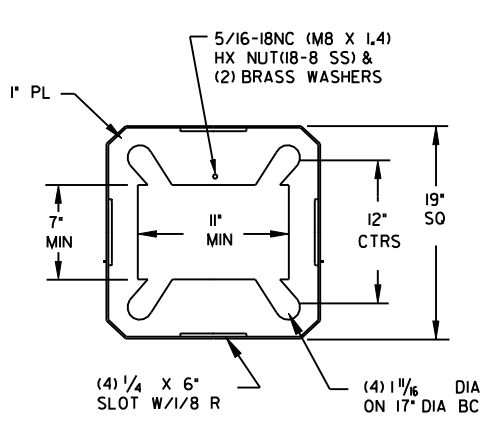
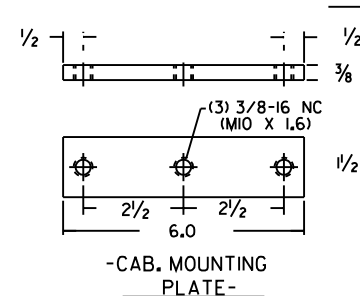


FRONT VIEW

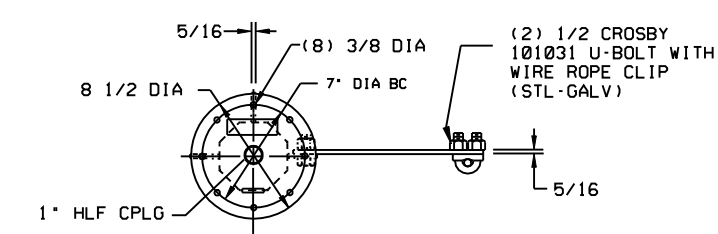
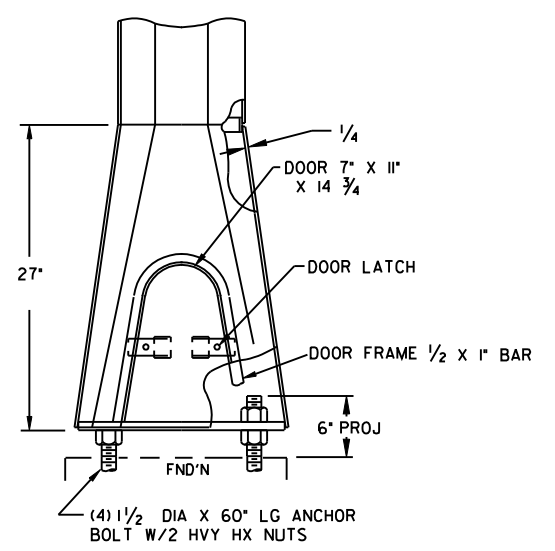


SIDE VIEW

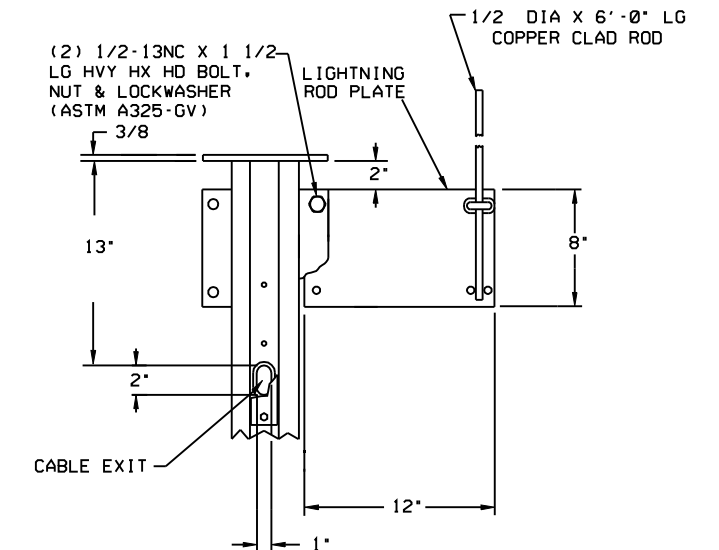
WINCH TYPICAL



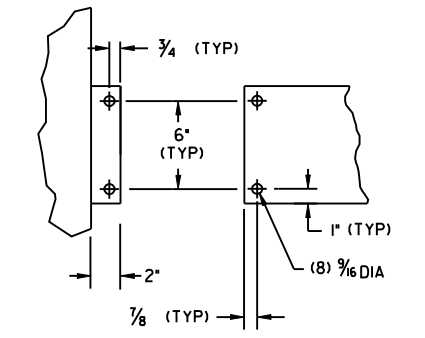
POLE BASE



CCTV MOUNTING PLATE



POLE TOP



LIGHTNING ROD MOUNTING