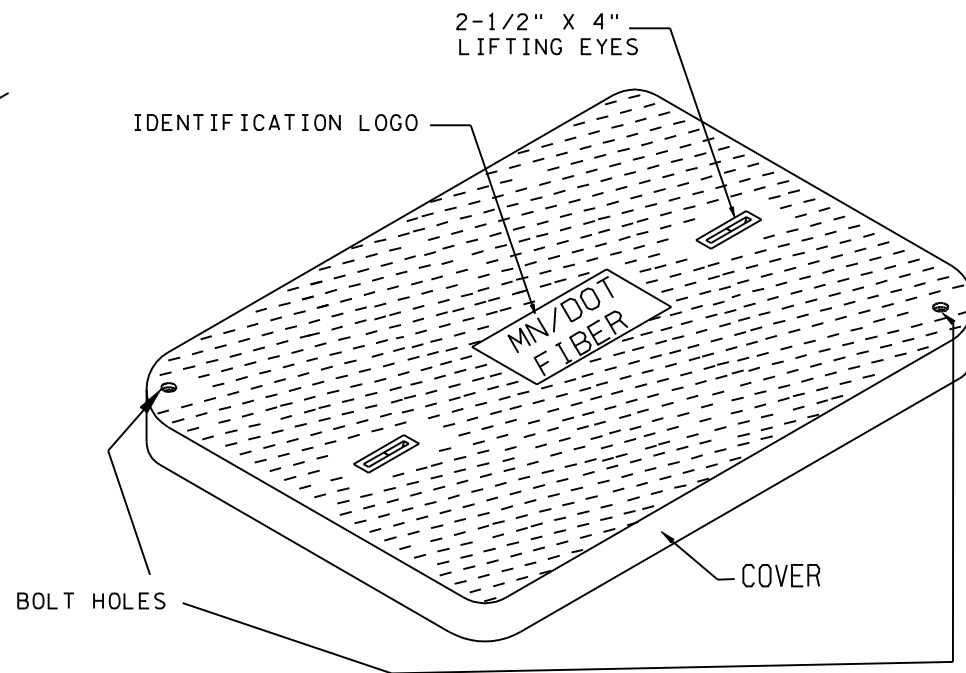
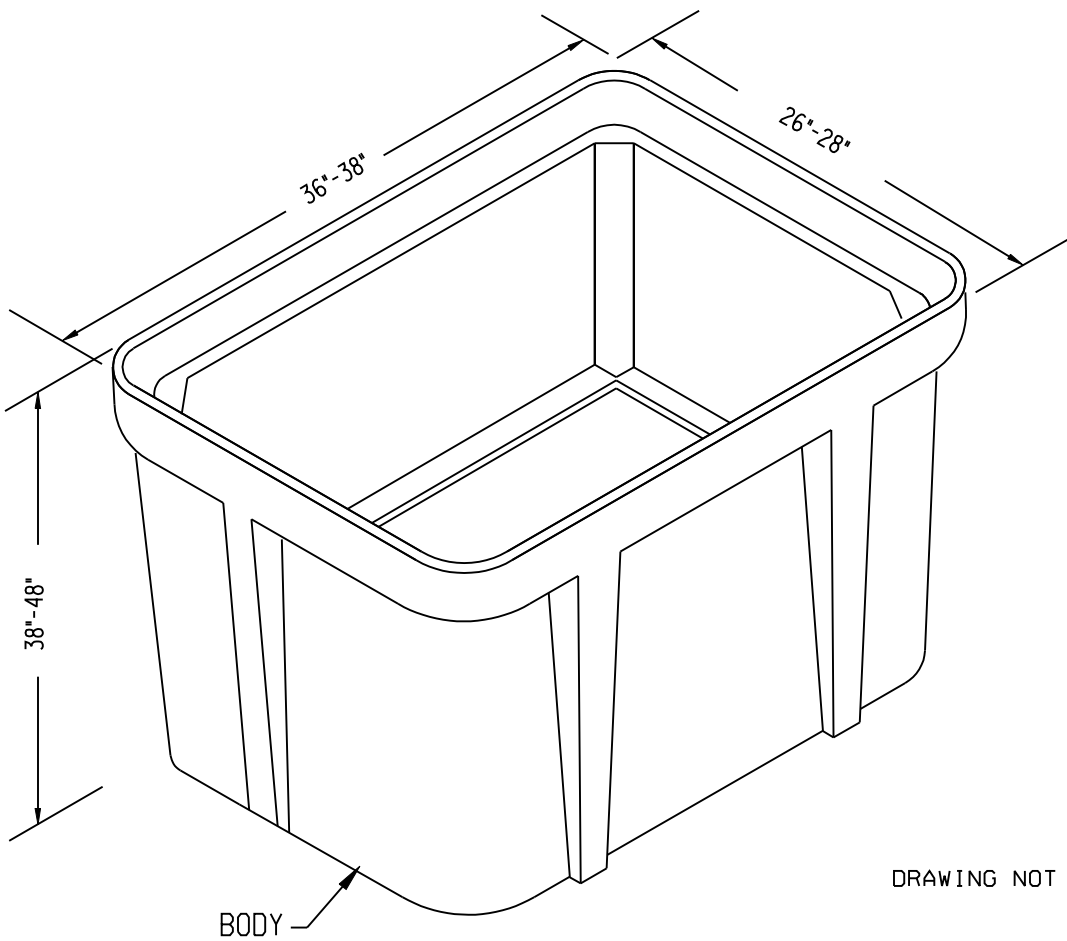


TMS / ITS - Approved Products List

TMS / ITS Fiber Optic Pulling Vault

The Fiber Optic Pulling Vault shall be constructed in accordance with the following:

- A. The Fiber Optic Pulling Vault shall be a pre-cast polymer concrete structure reinforced with fiberglass.
- B. The Fiber Optic Pulling Vault body and cover shall have a minimum design load of 15,000 pounds and minimum test load of 20,000 pounds.
- C. All hardware shall be stainless steel.
- D. The Fiber Optic Pulling Vault body shall have an open bottom.
- E. The cover shall **have**:
 - 1. A non-slip surface.
 - 2. Two lifting eyes.
 - 3. Two 3/8"-16 UNC x 3-1/2" long hex head bolts with self aligning replaceable nuts positioned in holes that allow drainage of soil and debris.
 - 4. Identification Logo embossed to reflect the specific application:
 - a. **"MnDOT Signals"** for traffic control signal projects.
 - b. **"MnDOT Lighting"** for roadway lighting projects.
 - c. **"MnDOT TMS"** for ITS projects.
 - d. **"MnDOT Anti-Icing"** for anti-icing projects.



DRAWING NOT TO SCALE

FIBER OPTIC PULLING VAULT