

Parts List:

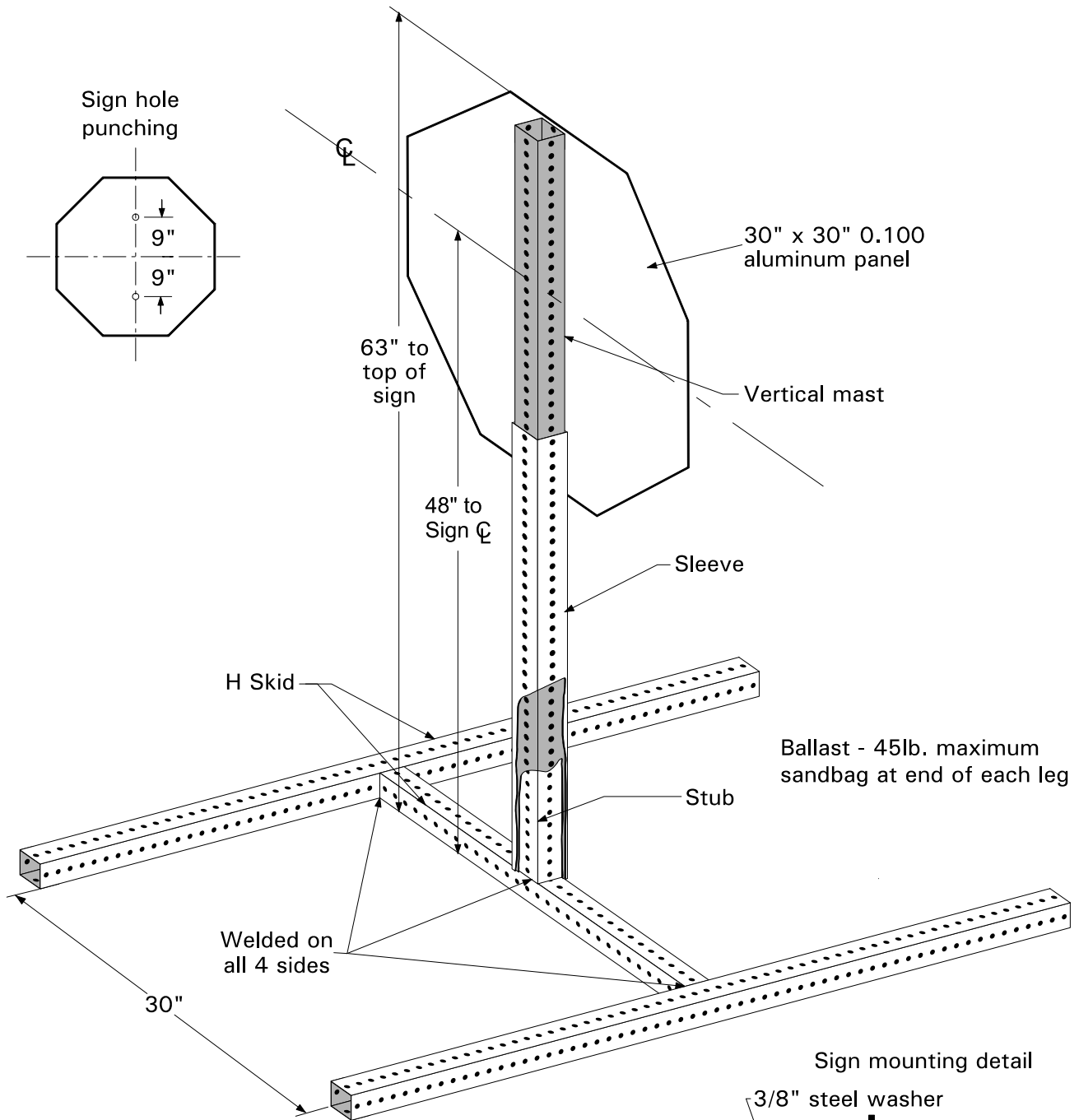
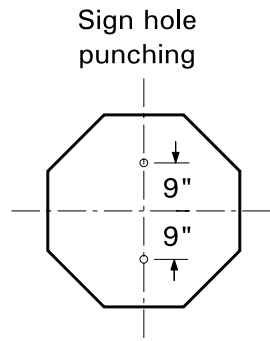
- All square tube 12 gauge galvanized steel with 0.4375" holes on either 1" centers or drilled as needed.
- (2) Vertical masts - 2" x 2" x 108" long.
- (2) Sleeves - 2.25" x 2.25" x 36" long.
- (2) Horizontal legs - 1.75" x 1.75" x 72" long.
- (2) Legs, vertical stubs - 1.75" x 1.75" x 12" long.
- Sign mounting hardware: 5/16" (0.3125") stainless steel or grade 5 zinc plated bolts and washers, nylon insert lock nut, and nylon washers against sign face.

APPROVED
12/1/05

DATE OF REV.

**NCHRP 350 COMPLIANT
TALL PORTABLE SIGN STAND
FOR 36" X 36" STOP**





Parts List:

All square tube 12 gauge galvanized steel with 0.4375" holes on either 1" centers or drilled as needed.

(2) H skid, horizontal legs - 2" x 2" x 60" long.

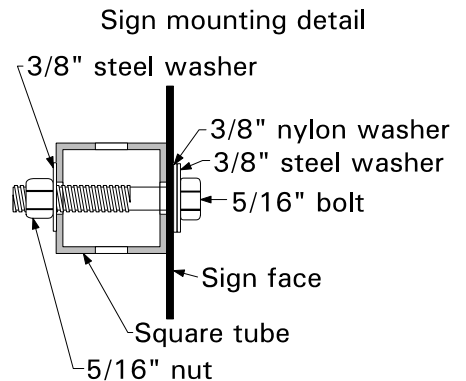
(1) H skid, cross bar - 2" x 2" x 30" long.

(1) H skid, vertical stub - 2" x 2" x 12" long.

(1) Vertical mast - 2.25" x 2.25" x 60" long.

(1) Sleeve - 2.5" x 2.5" x 36" long.

Sign mounting hardware: 5/16" (0.3125") stainless steel or grade 5 zinc plated bolts and washers, nylon insert lock nut, and nylon washers against sign face.



APPROVED

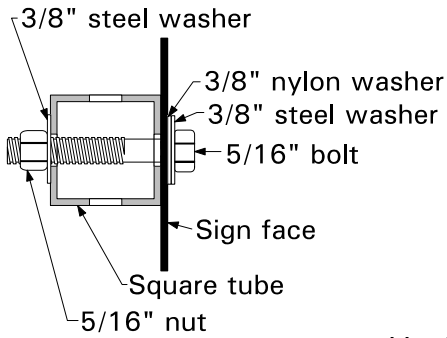
7/15/05

DATE OF REV.

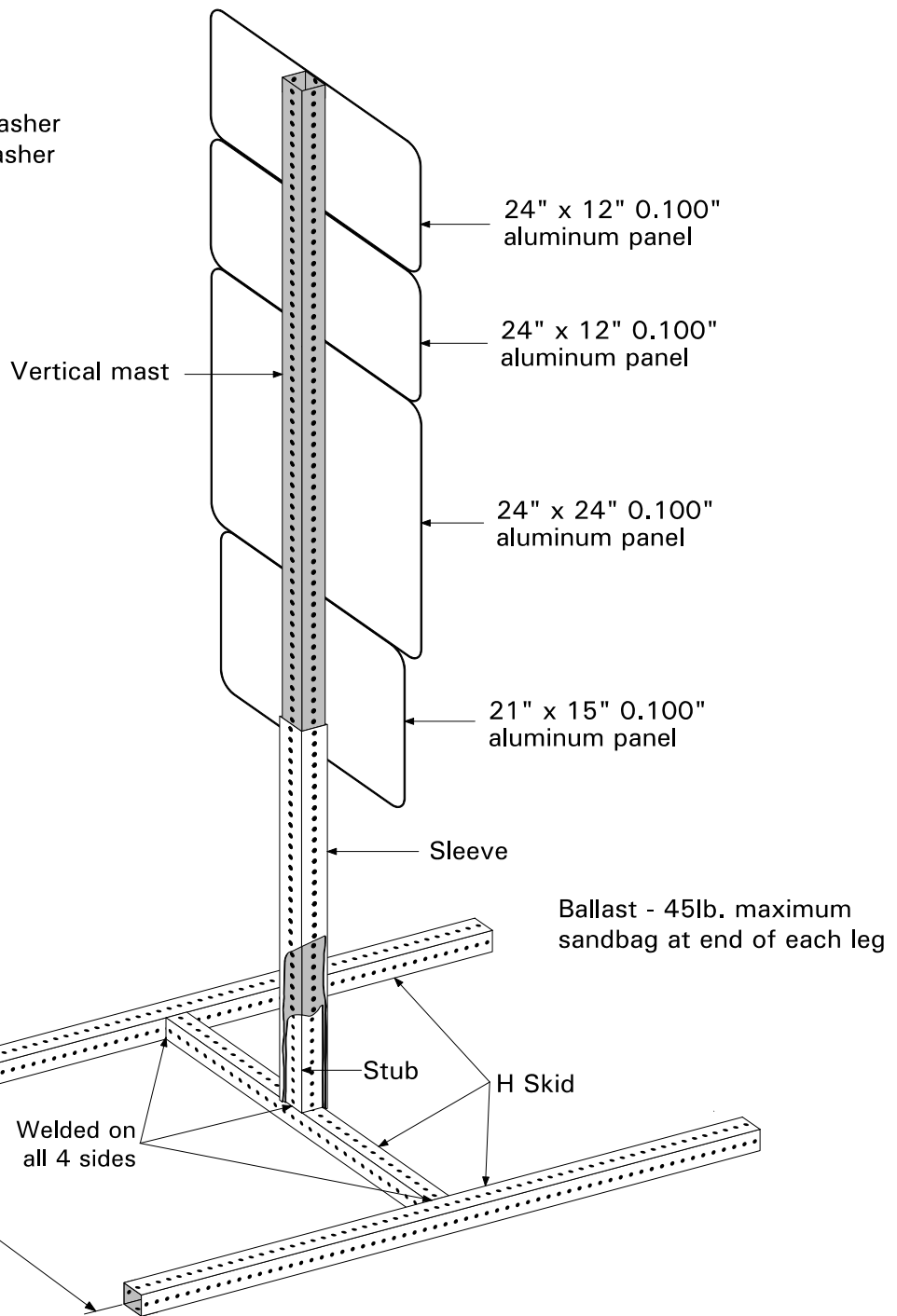
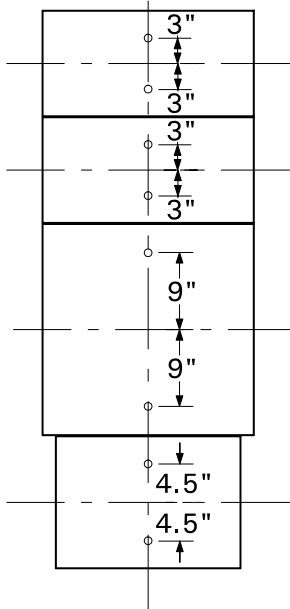
**NCHRP 350 COMPLIANT
PORTABLE SIGN STAND
FOR 30" X 30" STOP SIGN**



Sign mounting detail



Sign hole punching



Parts List:

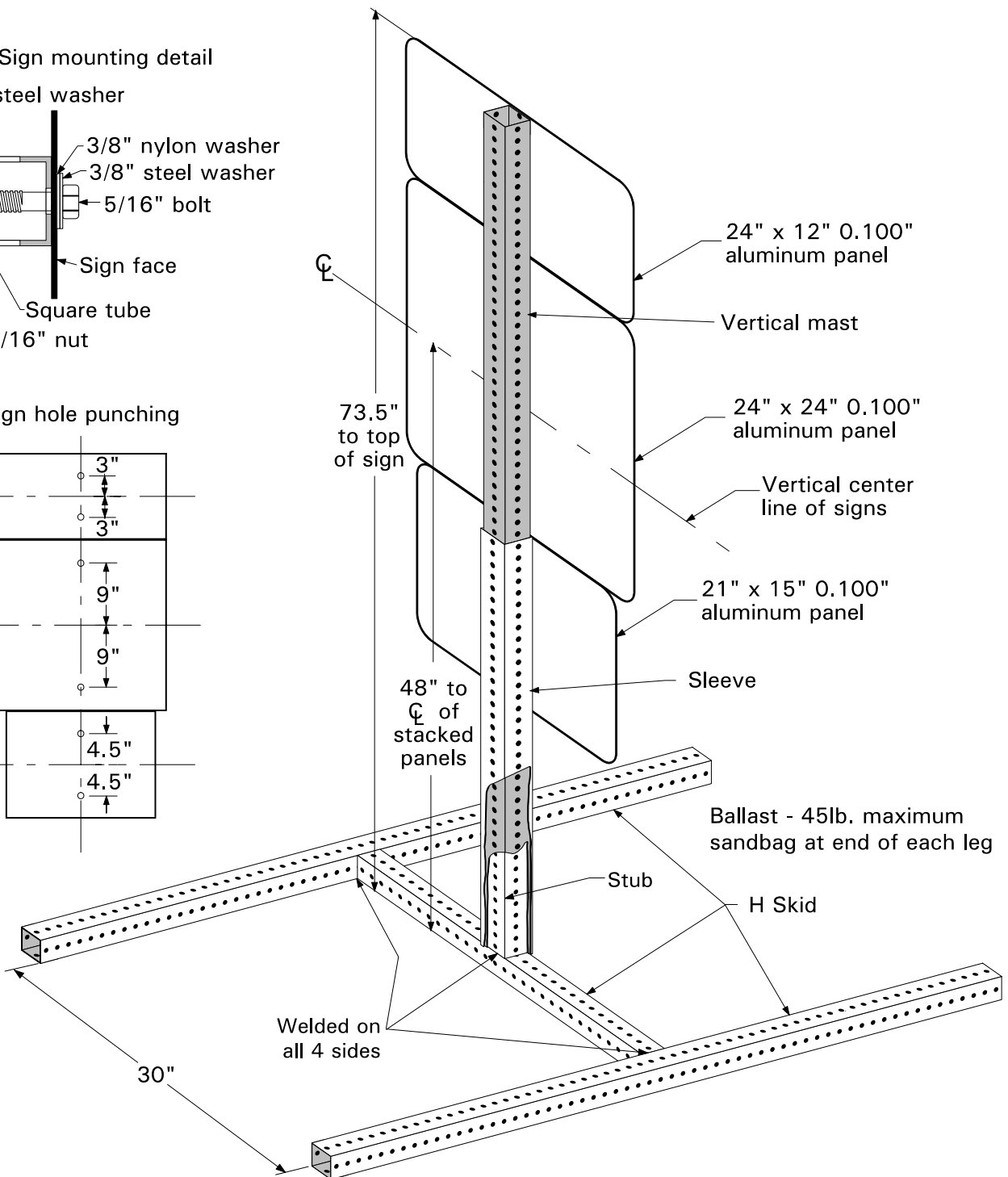
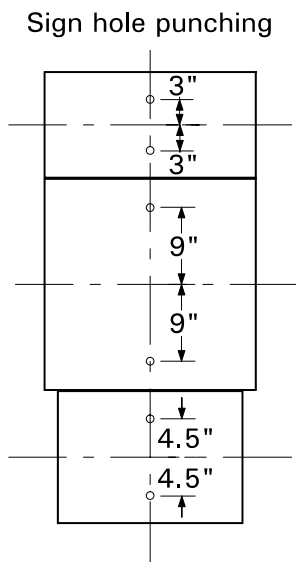
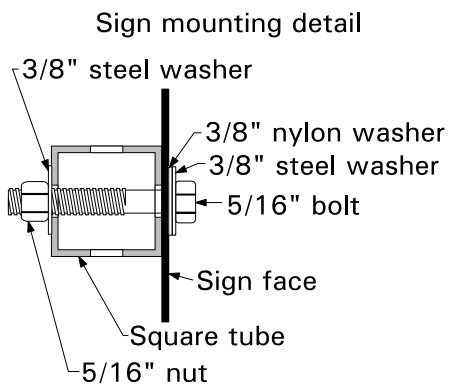
- All square tube 12 gauge galvanized steel with 0.4375" holes on either 1" centers or drilled as needed.
 - (2) H skid, horizontal legs - 2" x 2" x 60" long.
 - (1) H skid, cross bar - 2" x 2" x 30" long.
 - (1) H skid, vertical stub - 2" x 2" x 12" long.
 - (1) Vertical mast - 2.25" x 2.25" x 96" long.
 - (1) Sleeve - 2.5" x 2.5" x 36" long.
- Sign mounting hardware: 5/16" (0.3125") stainless steel or grade 5 zinc plated bolts and washers, nylon insert lock nut, and nylon washers against sign face.

APPROVED
12/1/05

DATE OF REV.

NCHRP 350 COMPLIANT
PORTABLE SIGN STAND FOR
DETOUR ASSEMBLY WITH 8' MAST





Parts List:

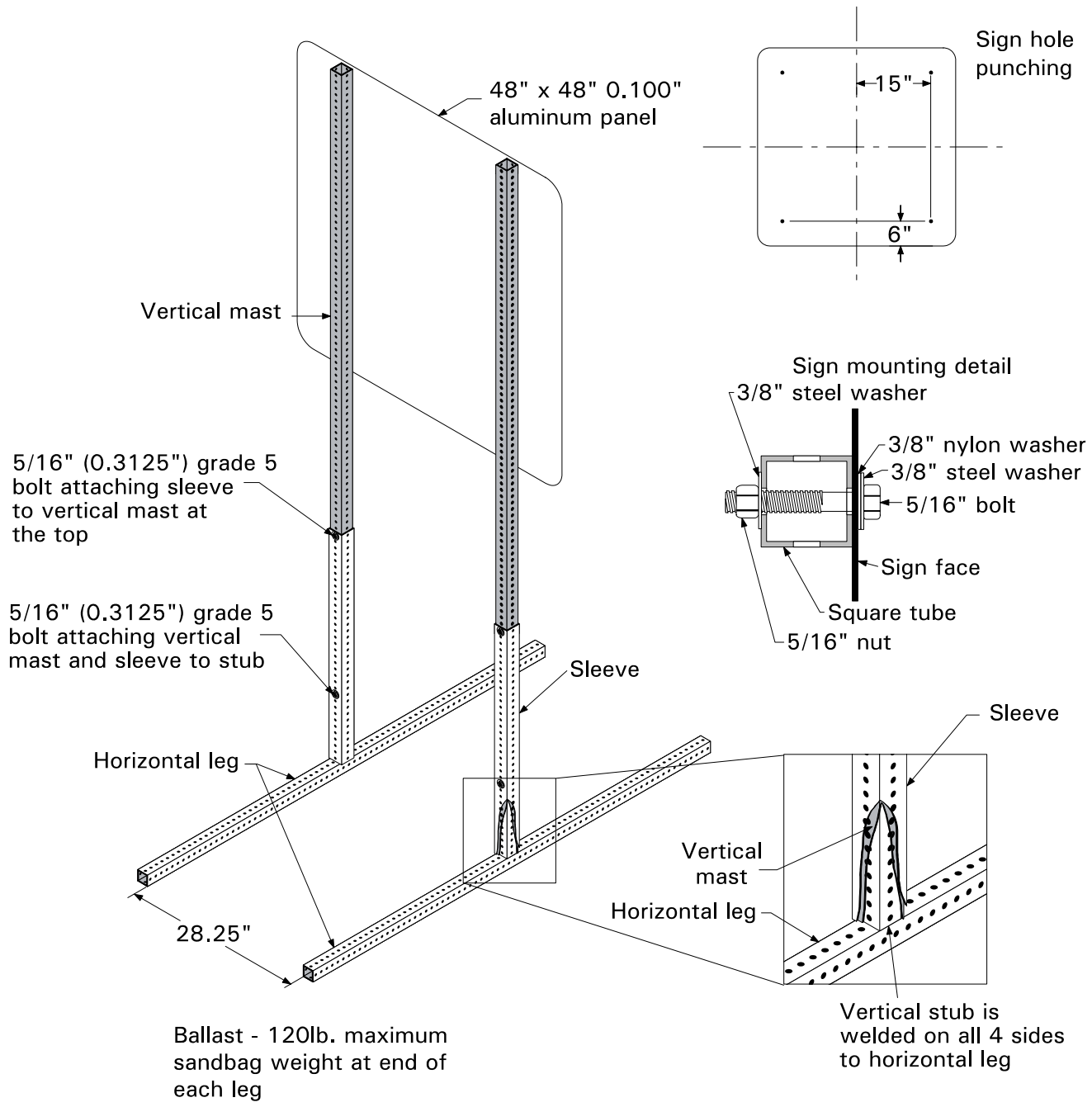
- All square tube 12 gauge galvanized steel with 0.4375" holes on either 1" centers or drilled as needed.
 - (2) H skid, horizontal legs - 2" x 2" x 60" long.
 - (1) H skid, cross bar - 2" x 2" x 30" long.
 - (1) H skid, vertical stub - 2" x 2" x 12" long.
 - (1) Vertical mast - 2.25" x 2.25" x 72" long.
 - (1) Sleeve - 2.5" x 2.5" x 36" long.
- Sign mounting hardware: 5/16" (0.3125") stainless steel or grade 5 zinc plated bolts and washers, nylon insert lock nut, and nylon washers against sign face.

APPROVED
7/15/05

DATE OF REV.

**NCHRP 350 COMPLIANT
PORTABLE SIGN STAND
FOR DETOUR ASSEMBLY**





Parts List:

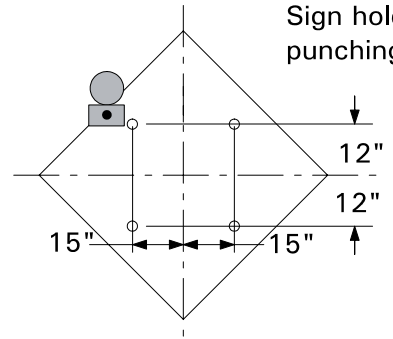
- All square tube 12 gauge galvanized steel with 0.4375" holes on either 1" centers or drilled as needed.
- (2) Vertical masts - 2" x 2" x 108" long.
- (2) Sleeves - 2.25" x 2.25" x 36" long.
- (2) Horizontal legs - 1.75" x 1.75" x 72" long.
- (2) Legs, vertical stubs - 1.75" x 1.75" x 12" long.
- Sign mounting hardware: 5/16" (0.3125") stainless steel or grade 5 zinc plated bolts and washers, nylon insert lock nut, and nylon washers against sign face.

<p>APPROVED 12/1/05</p>	<p>DATE OF REV.</p>	<p>NCHRP 350 COMPLIANT PORTABLE SIGN STAND FOR 48" X 48" EXIT PANEL</p>		
---	----------------------------	--	---	--

Optional lightweight amber flashing light is mounted to aluminum panel and against vertical mast to prevent spin

48" x 48" 0.100" aluminum panel

Sign hole punching



Vertical mast

5/16" (0.3125") grade 5 bolt attaching sleeve to vertical mast at the top

5/16" (0.3125") grade 5 bolt attaching vertical mast and sleeve to stub

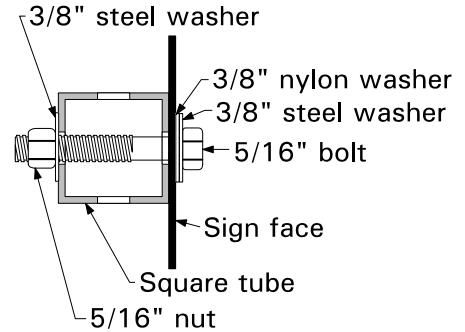
61.75"

Sleeve

Horizontal leg

28.25"

Sign mounting detail



Sleeve

Vertical mast

Horizontal leg

Vertical stub is welded on all 4 sides to horizontal leg

Ballast - 120lb. maximum sandbag weight at end of each leg

Parts List:

All square tube 12 gauge galvanized steel with 0.4375" holes on either 1" centers or drilled as needed.

(2) Vertical masts - 2" x 2" x 108" long.

(2) Sleeves - 2.25" x 2.25" x 36" long.

(2) Horizontal legs - 1.75" x 1.75" x 72" long.

(2) Legs, vertical stubs - 1.75" x 1.75" x 12" long.

Sign mounting hardware: 5/16" (0.3125") stainless steel or grade 5 zinc plated bolts and washers, nylon insert lock nut, and nylon washers against sign face.

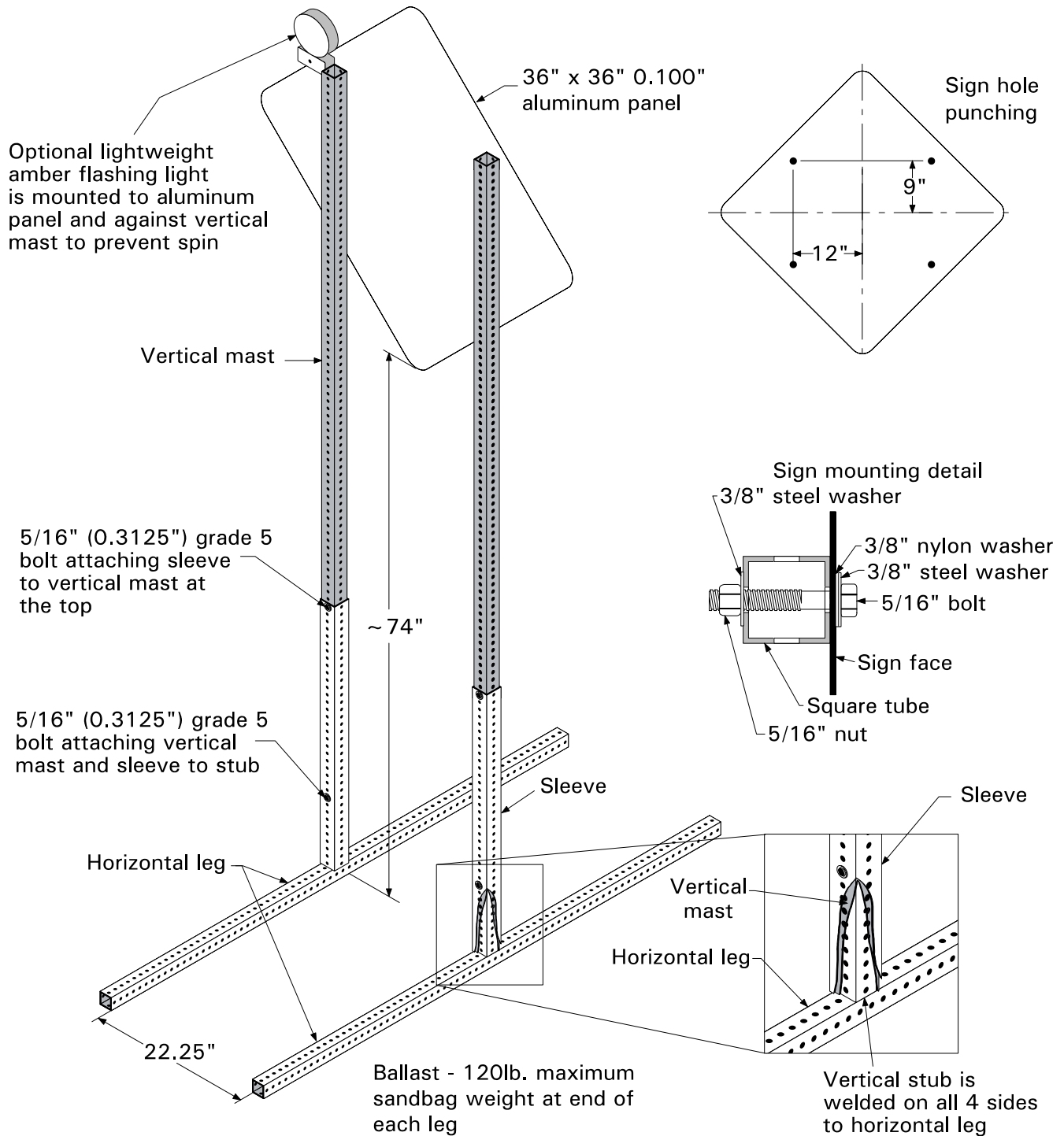
APPROVED

7/15/05

DATE OF REV.

**NCHRP 350 COMPLIANT
5 FEET PORTABLE SIGN STAND
FOR 48" X 48" DIAMOND**



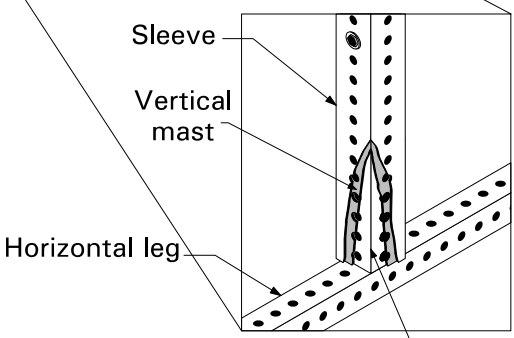
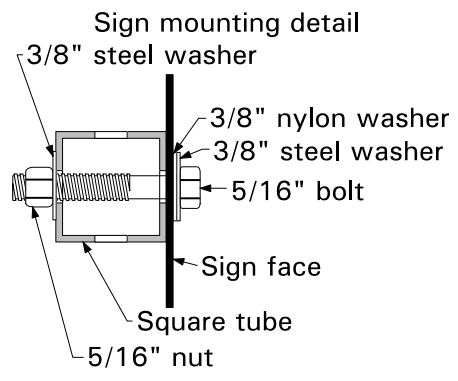
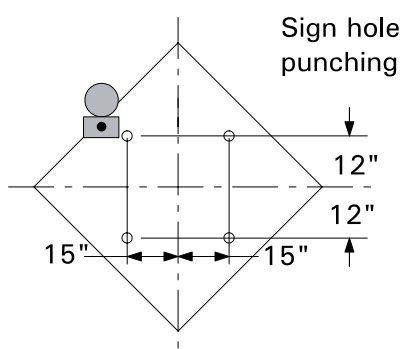
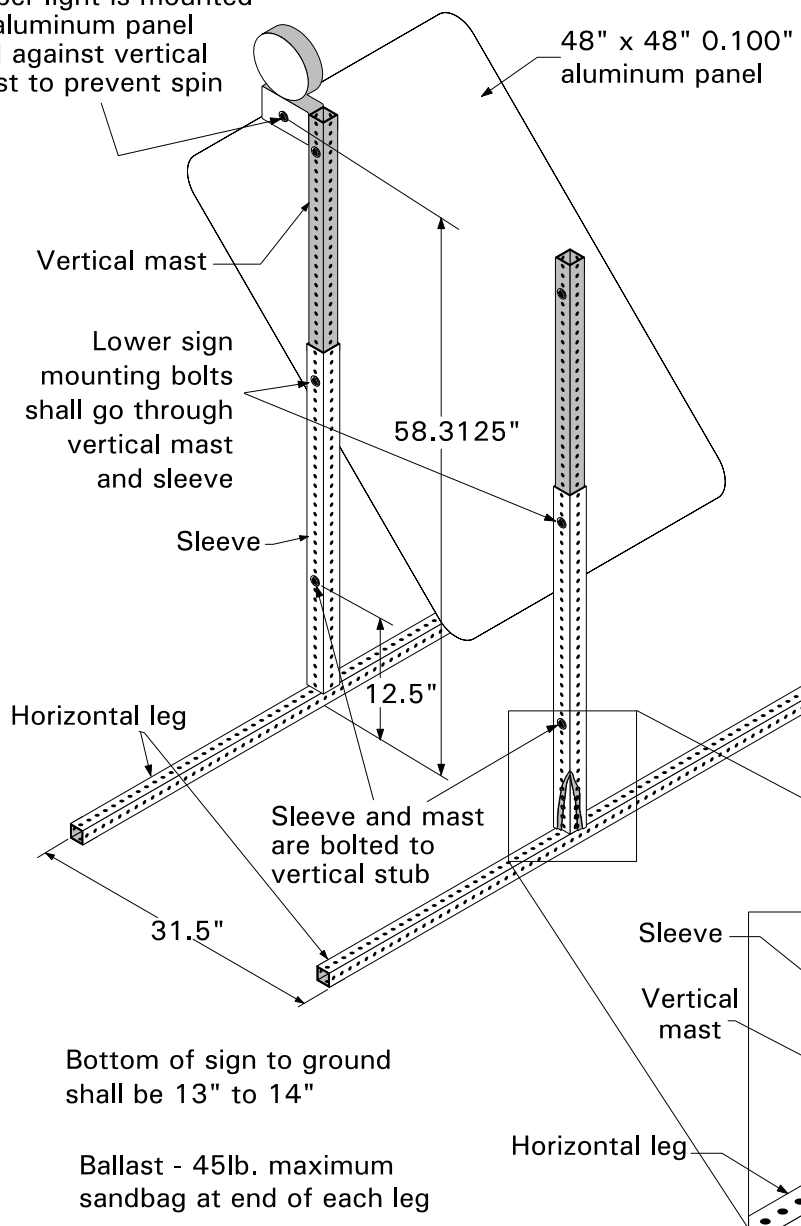


Parts List:

All square tube 12 gauge galvanized steel with 0.4375" holes on either 1" centers or drilled as needed.
 (2) Vertical masts - 2" x 2" x 108" long.
 (2) Sleeves - 2.25" x 2.25" x 36" long.
 (2) Horizontal legs - 1.75" x 1.75" x 72" long.
 (2) Legs, vertical stubs - 1.75" x 1.75" x 12" long.
 Sign mounting hardware: 5/16" (0.3125") stainless steel or grade 5 zinc plated bolts and washers, nylon insert lock nut, and nylon washers against sign face.

<p>APPROVED 12/1/05</p>	<p>DATE OF REV.</p>	<p>NCHRP 350 COMPLIANT TALL PORTABLE SIGN STAND FOR 36" X 36" DIAMOND</p>		
---	----------------------------	--	---	--

Optional lightweight flashing amber light is mounted to aluminum panel and against vertical mast to prevent spin



Vertical stub is welded on all 4 sides to horizontal leg

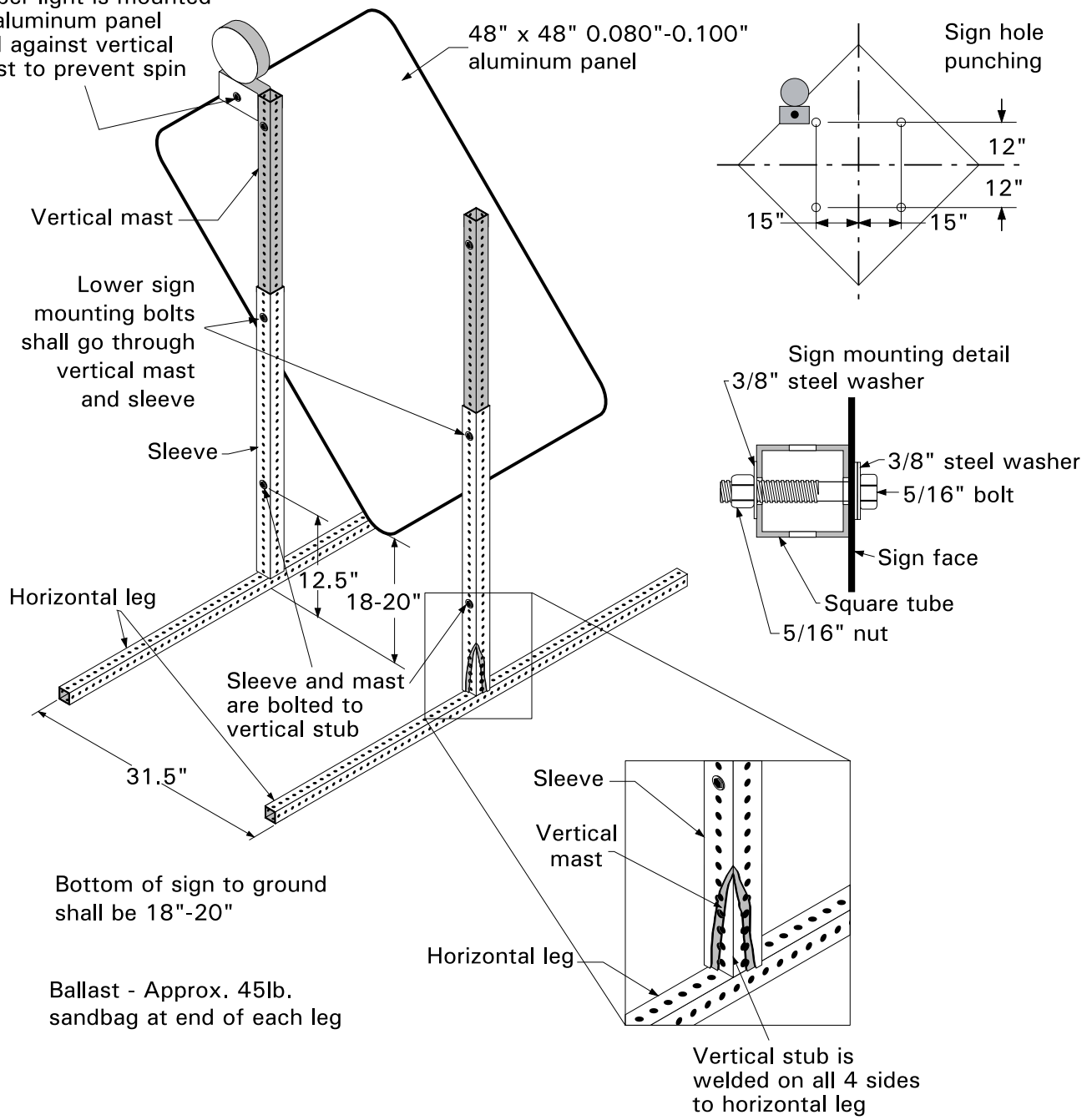
Parts List:

- All square tube 12 gauge galvanized steel with 0.4375" holes on either 1" centers or drilled as needed.
- (2) Vertical masts - 1.75" x 1.75" x 60" long.
- (2) Sleeves - 2" x 2" x 36" long.
- (2) Horizontal legs - 1.5" x 1.5" x 60" long.
- (2) Legs, vertical stubs - 1.5" x 1.5" x 12" long.
- Sign mounting hardware: 5/16" (0.3125") stainless steel or grade 5 zinc plated bolts and washers, nylon insert lock nut, and nylon washers against sign face.
- (1) Optional flashing warning light attached to sign panel.

FHWA Reference HSA-10/WZ-133

<p>APPROVED</p> <p>7/15/05</p>	<p>DATE OF REV.</p>	<p>NCHRP 350 COMPLIANT PORTABLE SIGN STAND FOR 48" X 48" DIAMOND</p>		
--------------------------------	---------------------	--	--	--

Optional lightweight flashing amber light is mounted to aluminum panel and against vertical mast to prevent spin



Bottom of sign to ground shall be 18"-20"

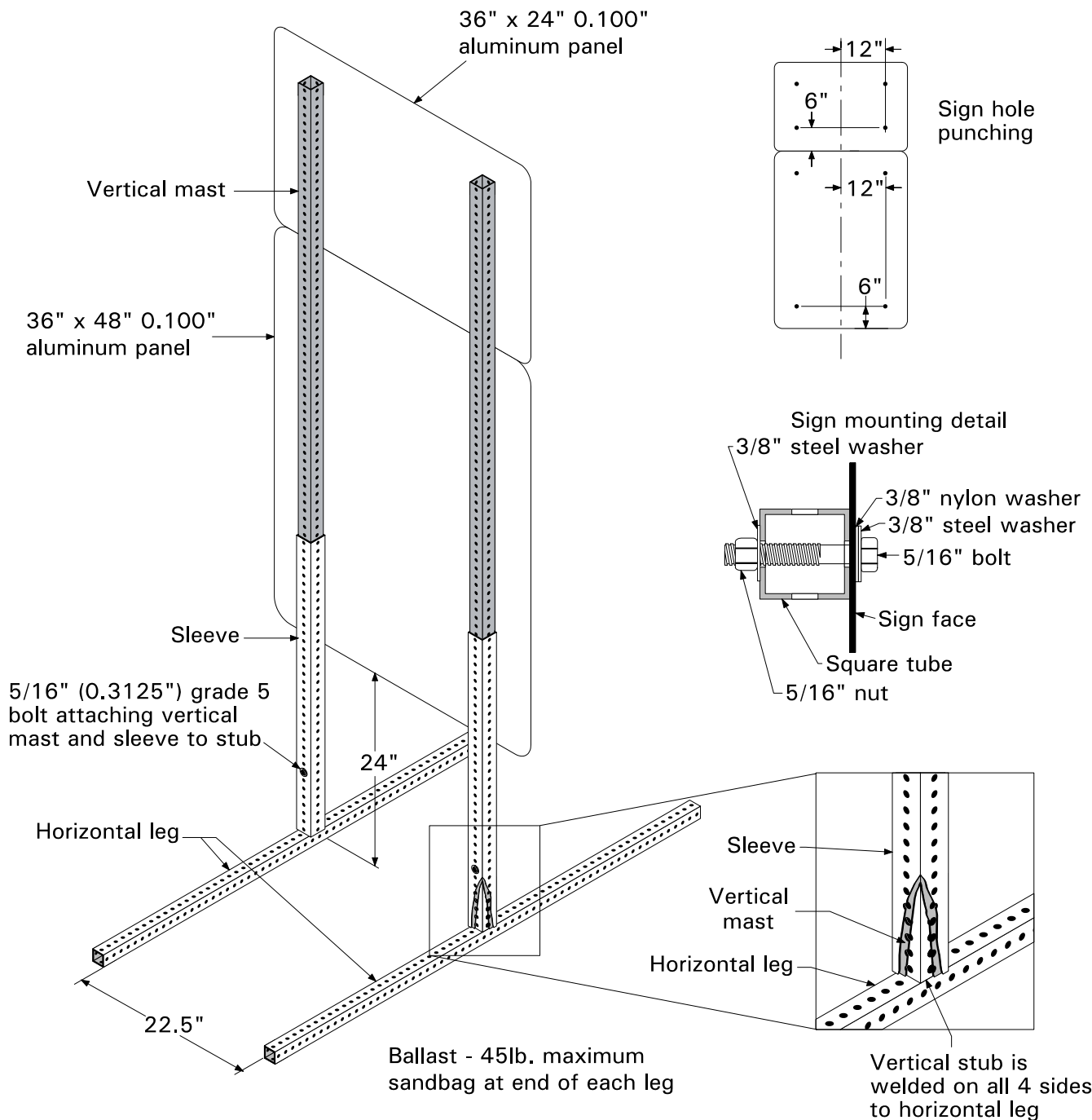
Ballast - Approx. 45lb. sandbag at end of each leg

Vertical stub is welded on all 4 sides to horizontal leg

Parts List:

- All square tube 12 gauge galvanized steel with 0.4375" holes on either 1" centers or drilled as needed.
- (2) Vertical masts - 1.75" x 1.75" x 72" long.
- (2) Sleeves - 2" x 2" x 36" long.
- (2) Horizontal legs - 1.5" x 1.5" x 48" long.
- (2) Legs, vertical stubs - 1.5" x 1.5" x 6-12" long.
- Fastening hardware: 5/16" (0.3125") stainless steel or grade 5 zinc plated bolts and washers, nylon insert lock nuts, and nylon washers.
- (1) Optional flashing warning light attached to sign panel.

<p>APPROVED 5/3/06</p>	<p>DATE OF REV.</p>	<p>PORTABLE SIGN STAND FOR 48" X 48" DIAMOND</p>		
--	----------------------------	---	---	--



Parts List:

All square tube 12 gauge galvanized steel with 0.4375" holes on either 1" centers or drilled as needed.

(2) Vertical masts - 1.75" x 1.75" x 90.5" long.

(2) Sleeves - 2" x 2" x 36" long.

(2) Horizontal legs - 1.5" x 1.5" x 60" long.

(2) Legs, vertical stubs - 1.5" x 1.5" x 12" long.

Sign mounting hardware: 5/16" (0.3125") stainless steel or grade 5 zinc plated bolts and washers, nylon insert lock nut, and nylon washers against sign face.

APPROVED

7/15/05

DATE OF REV.

**NCHRP 350 COMPLIANT
PORTABLE SIGN STAND
FOR WORK ZONE SPEED LIMIT**

