



## **MnDOT Accessible Pedestrian Pedestal Base Specification**

For Mounting APS Pushbutton Shafts To Concrete Sidewalk

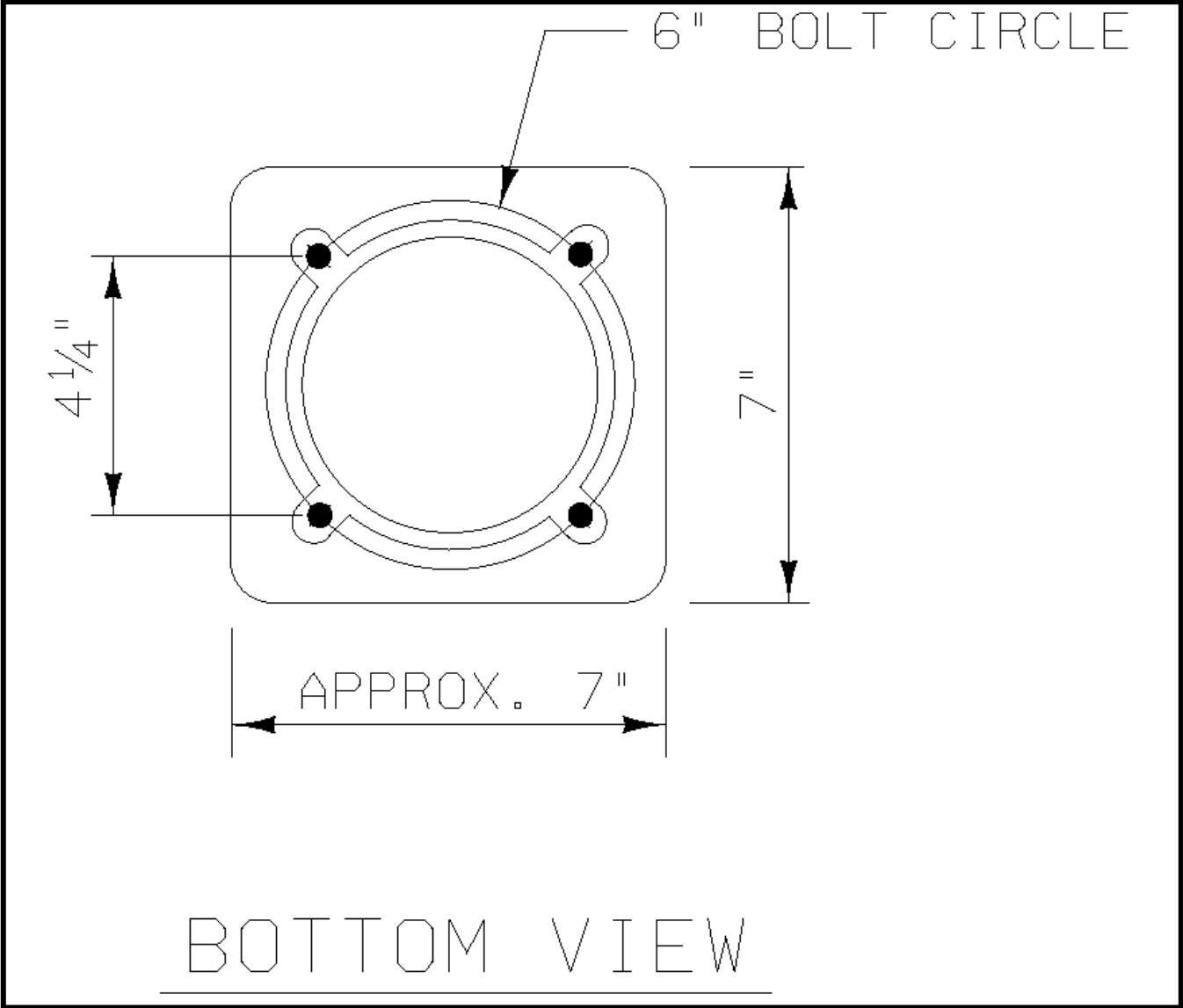
08/21/2013

### **Requirements:**

1. Shall be constructed of aluminum.
  - a. Shall be anodized.
2. Shall not have any sharp edges.
  - a. All edges shall be rounded.
3. Shall have a foot print of approximately 7 inches by 7 inches.
4. Shall be approximately 10 inches tall.
5. Shall fully enclose and cover the anchor rods on the interior of the pedestal base.
  - a. External anchor rod covers are not acceptable.
6. Shall be mounted directly to a sidewalk with a 6 inch bolt circle.
  - a. Shall have 4 mounting anchor bolt slots for securing the pedestal base to the sidewalk.
  - b. Shall be supported by 5/8 X 7 1/2 inch stainless steel anchor rods imbedded in concrete.
7. Shall have an access door on one vertical side with minimum opening of 21 inches squared.
  - a. Shall be anodized.
  - b. Shall be attached with stainless steel hardware.

8. Shall support a 4 inch National Pipe Thread (N.P.T.) pedestal shaft that is screwed in at the top of the pedestal base.
  - a. Shall have a minimum of two set screws that hold the 4 inch pedestal shaft in place after being screwed in to the accessible pedestrian pedestal base.
  - b. Set screws shall be stainless steel.
  - c. Set Screws shall be Allen head type.
  
9. Shall be breakaway.
  - a. Shall yield (breakaway) before the schedule 40 aluminum shaft that is secured into the top of the pedestal base fails.
  
10. Shall have a grounding lug installed which supports 14 AWG thru 4 AWG conductors.

**Bolt Circle Requirements**



# General Dimensions

