



MINNESOTA DEPT OF TRANSPORTATION

TRAFFIC DATA COLLECTION - METRO

TH-95 at Pleasant Valley Rd
 Ref.Pt.: 081.957
 JAMAR # T-2638 CAH
 TURN MOVEMENT COUNT

File Name : TH-95 at Pleasant Valley Rd 2010
 Site Code : 00000000
 Start Date : 7/21/2010
 Page No : 1

Groups Printed- Cars & Trucks

Start Time	TH-95 Southbound				Shamrock Lane Westbound				TH-95 Northbound				PLEASANT VALLEY RD Eastbound				Int. Total
	Left	Thru	Right	Peds	Left	Thru	Right	Peds	Left	Thru	Right	Peds	Left	Thru	Right	Peds	
06:00	0	43	0	0	0	0	0	0	7	5	0	0	0	0	8	0	63
06:15	0	36	0	0	0	0	0	0	7	7	0	0	0	0	16	0	66
06:30	0	22	0	0	0	0	0	0	6	8	0	0	0	0	13	0	49
06:45	0	30	0	0	0	0	0	0	12	16	0	0	0	0	11	0	69
Total	0	131	0	0	0	0	0	0	32	36	0	0	0	0	48	0	247
07:00	0	22	0	0	0	0	0	0	7	7	0	0	0	0	7	0	43
07:15	0	20	0	0	0	0	0	0	6	14	0	0	0	0	3	1	44
07:30	0	24	0	0	1	2	0	0	16	11	1	0	0	0	7	0	62
07:45	2	19	0	0	1	1	0	0	5	10	1	0	0	0	6	0	45
Total	2	85	0	0	2	3	0	0	34	42	2	0	0	0	23	1	194
08:00	0	24	1	0	1	0	0	0	6	25	0	0	1	0	14	0	72
08:15	0	30	0	0	0	0	0	0	10	18	0	0	0	0	14	0	72
08:30	0	32	0	0	0	1	0	0	9	18	0	0	0	0	6	0	66
08:45	0	25	0	0	1	0	0	0	11	18	2	0	0	0	10	0	67
Total	0	111	1	0	2	1	0	0	36	79	2	0	1	0	44	0	277
*** BREAK ***																	
15:00	0	20	0	0	1	1	0	0	11	32	0	0	1	1	11	0	78
15:15	1	43	0	0	1	0	0	0	13	51	2	0	1	0	14	1	127
15:30	3	21	1	0	0	0	0	0	13	16	2	0	0	0	11	0	67
15:45	2	25	1	0	1	0	0	0	14	41	0	0	1	0	10	0	95
Total	6	109	2	0	3	1	0	0	51	140	4	0	3	1	46	1	367
16:00	0	18	0	0	0	0	0	0	7	40	2	0	1	0	5	0	73
16:15	0	20	0	0	1	0	0	0	11	30	2	0	1	0	10	0	75
16:30	4	34	0	0	0	0	1	0	16	48	0	0	0	0	18	0	121
16:45	0	39	1	0	1	0	2	0	7	67	0	0	0	1	16	0	134
Total	4	111	1	0	2	0	3	0	41	185	4	0	2	1	49	0	403
17:00	1	31	0	0	0	2	0	0	12	52	0	0	0	0	10	0	108
17:15	1	31	1	1	1	2	0	0	14	46	0	0	0	1	19	0	117
17:30	0	30	1	0	0	0	0	0	19	50	0	0	2	0	11	0	113
17:45	0	30	0	0	0	0	0	0	8	31	0	0	2	0	5	0	76
Total	2	122	2	1	1	4	0	0	53	179	0	0	4	1	45	0	414
Grand Total	14	669	6	1	10	9	3	0	247	661	12	0	10	3	255	2	1902
Apprch %	2	97	0.9	0.1	45.5	40.9	13.6	0	26.8	71.8	1.3	0	3.7	1.1	94.4	0.7	
Total %	0.7	35.2	0.3	0.1	0.5	0.5	0.2	0	13	34.8	0.6	0	0.5	0.2	13.4	0.1	



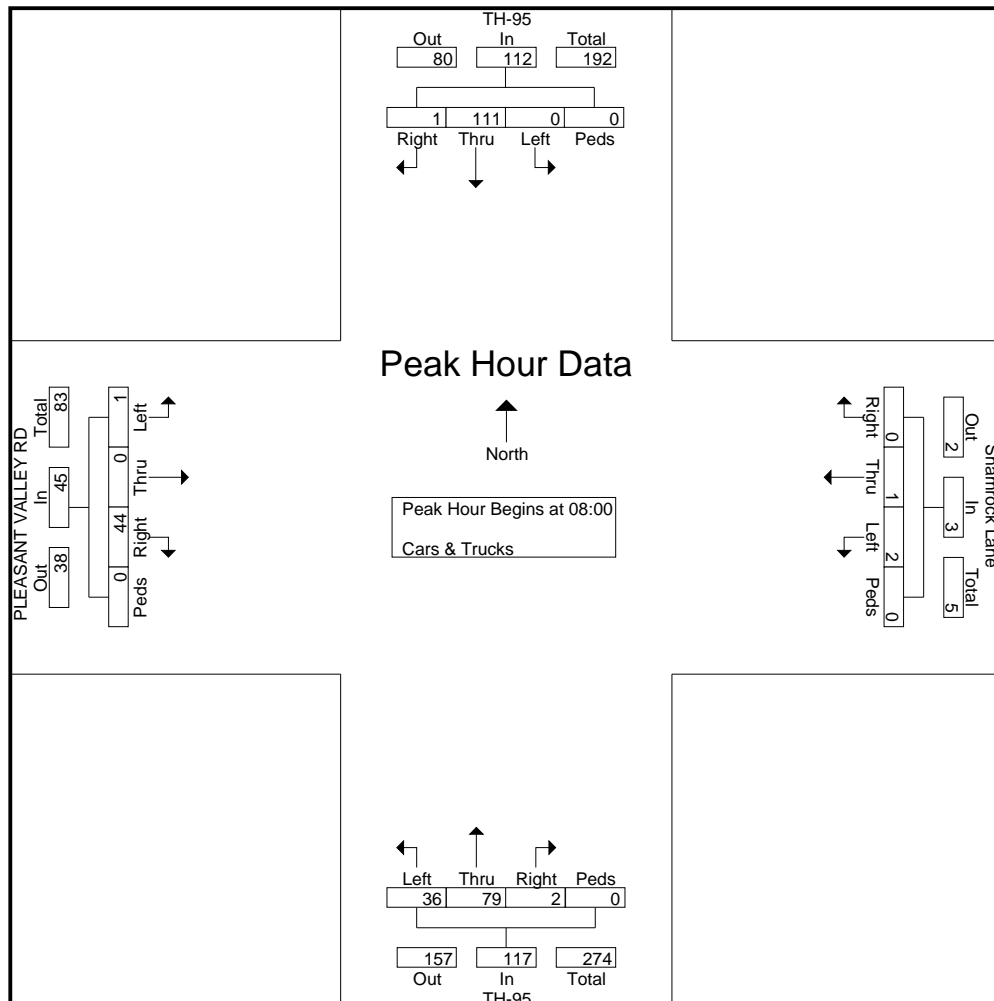
MINNESOTA DEPT OF TRANSPORTATION

TRAFFIC DATA COLLECTION - METRO

TH-95 at Pleasant Valley Rd
 Ref.Pt.: 081.957
 JAMAR # T-2638 CAH
 TURN MOVEMENT COUNT

File Name : TH-95 at Pleasant Valley Rd 2010
 Site Code : 00000000
 Start Date : 7/21/2010
 Page No : 2

Start Time	TH-95 Southbound					Shamrock Lane Westbound					TH-95 Northbound					PLEASANT VALLEY RD Eastbound					Int. Total
	Left	Thru	Right	Peds	App. Total	Left	Thru	Right	Peds	App. Total	Left	Thru	Right	Peds	App. Total	Left	Thru	Right	Peds	App. Total	
Peak Hour Analysis From 06:00 to 08:45 - Peak 1 of 1																					
Peak Hour for Entire Intersection Begins at 08:00																					
08:00	0	24	1	0	25	1	0	0	0	1	6	25	0	0	31	1	0	14	0	15	72
08:15	0	30	0	0	30	0	0	0	0	0	10	18	0	0	28	0	0	14	0	14	72
08:30	0	32	0	0	32	0	1	0	0	1	9	18	0	0	27	0	0	6	0	6	66
08:45	0	25	0	0	25	1	0	0	0	1	11	18	2	0	31	0	0	10	0	10	67
Total Volume	0	111	1	0	112	2	1	0	0	3	36	79	2	0	117	1	0	44	0	45	277
% App. Total	0	99.1	0.9	0		66.7	33.3	0	0		30.8	67.5	1.7	0		2.2	0	97.8	0		
PHF	.000	.867	.250	.000	.875	.500	.250	.000	.000	.750	.818	.790	.250	.000	.944	.250	.000	.786	.000	.750	.962





MINNESOTA DEPT OF TRANSPORTATION

TRAFFIC DATA COLLECTION - METRO

TH-95 at Pleasant Valley Rd
 Ref.Pt.: 081.957
 JAMAR # T-2638 CAH
 TURN MOVEMENT COUNT

File Name : TH-95 at Pleasant Valley Rd 2010
 Site Code : 00000000
 Start Date : 7/21/2010
 Page No : 3

Start Time	TH-95 Southbound					Shamrock Lane Westbound					TH-95 Northbound					PLEASANT VALLEY RD Eastbound					Int. Total
	Left	Thru	Right	Peds	App. Total	Left	Thru	Right	Peds	App. Total	Left	Thru	Right	Peds	App. Total	Left	Thru	Right	Peds	App. Total	
Peak Hour Analysis From 15:00 to 17:45 - Peak 1 of 1																					
Peak Hour for Entire Intersection Begins at 16:30																					
16:30	4	34	0	0	38	0	0	1	0	1	16	48	0	0	64	0	0	18	0	18	121
16:45	0	39	1	0	40	1	0	2	0	3	7	67	0	0	74	0	1	16	0	17	134
17:00	1	31	0	0	32	0	2	0	0	2	12	52	0	0	64	0	0	10	0	10	108
17:15	1	31	1	1	34	1	2	0	0	3	14	46	0	0	60	0	1	19	0	20	117
Total Volume	6	135	2	1	144	2	4	3	0	9	49	213	0	0	262	0	2	63	0	65	480
% App. Total	4.2	93.8	1.4	0.7		22.2	44.4	33.3	0		18.7	81.3	0	0		0	3.1	96.9	0		
PHF	.375	.865	.500	.250	.900	.500	.500	.375	.000	.750	.766	.795	.000	.000	.885	.000	.500	.829	.000	.813	.896

