



# MINNESOTA DEPT OF TRANSPORTATION

## TRAFFIC DATA COLLECTION - METRO

TH-7 at Louisiana Ave.  
 ref.pt.: 1193.050  
 collected by: ALLIANT CONSULT.  
 TURN MOVEMENT COUNT

File Name : TH-7 at Louisiana Ave 2007  
 Site Code : 00000164  
 Start Date : 12/11/2007  
 Page No : 1

Groups Printed- Cars & Trucks

Start Time	Louisiana Ave. Southbound				TH-7 Westbound				Louisiana Ave. Northbound				TH-7 Eastbound				Int. Total	
	Left	Thru	Right	Peds	Left	Thru	Right	Peds	Left	Thru	Right	Peds	Left	Thru	Right	Peds		
06:00	11	14	1	0	29	37	1	0	4	7	24	0	5	42	48	0	223	
06:15	20	18	3	0	45	68	0	0	9	8	24	0	24	92	84	0	395	
06:30	19	26	3	0	63	83	4	0	5	18	19	0	20	142	99	2	503	
06:45	31	28	2	0	49	143	13	0	12	8	12	0	22	162	129	0	611	
Total	81	86	9	0	186	331	18	0	30	41	79	0	71	438	360	2	1732	
07:00	23	21	2	0	48	145	9	0	9	11	17	0	29	230	83	1	628	
07:15	43	26	10	0	73	152	10	0	13	23	20	0	42	315	86	0	813	
07:30	52	41	7	0	59	200	10	0	28	37	29	1	40	361	60	0	925	
07:45	60	55	14	0	98	289	22	0	28	51	27	0	50	336	104	0	1134	
Total	178	143	33	0	278	786	51	0	78	122	93	1	161	1242	333	1	3500	
08:00	53	34	20	0	80	183	17	0	18	32	20	0	26	282	87	0	852	
08:15	42	43	4	0	70	199	8	0	22	36	35	0	39	297	55	0	850	
08:30	25	25	4	0	57	195	22	0	26	35	31	0	23	275	54	0	772	
08:45	36	19	1	0	66	190	7	0	25	25	24	0	34	282	59	0	768	
Total	156	121	29	0	273	767	54	0	91	128	110	0	122	1136	255	0	3242	
09:00	27	37	10	1	34	152	12	0	31	29	27	0	14	180	46	0	600	
09:15	19	19	21	0	48	155	14	0	27	27	25	0	18	180	47	0	600	
*** BREAK ***																		
Total	46	56	31	1	82	307	26	0	58	56	52	0	32	360	93	0	1200	
*** BREAK ***																		
10:30	24	32	0	0	29	170	10	0	48	34	19	0	26	133	35	0	560	
10:45	23	33	3	2	42	150	11	0	45	40	30	0	24	146	65	0	614	
Total	47	65	3	2	71	320	21	0	93	74	49	0	50	279	100	0	1174	
11:00	17	28	5	0	22	182	18	0	54	27	45	0	17	190	41	0	646	
11:15	21	42	24	0	40	152	20	0	49	36	33	0	39	150	42	0	648	
11:30	23	33	13	0	46	213	20	0	56	44	29	0	21	181	40	0	719	
11:45	17	33	28	0	42	205	12	0	67	53	31	0	21	137	44	0	690	
Total	78	136	70	0	150	752	70	0	226	160	138	0	98	658	167	0	2703	
12:00	27	32	24	0	42	195	16	0	47	32	38	0	19	161	52	0	685	
12:15	20	29	20	0	34	188	24	0	89	42	26	0	37	177	51	2	739	
12:30	17	21	11	0	55	214	21	0	45	32	28	0	31	183	71	0	729	
12:45	25	32	13	0	52	207	24	0	53	39	37	0	29	165	56	0	732	
Total	89	114	68	0	183	804	85	0	234	145	129	0	116	686	230	2	2885	
13:00	21	30	22	0	37	214	22	0	57	30	38	0	22	158	74	2	727	
13:15	31	31	13	0	43	160	25	0	54	39	19	0	37	166	52	0	670	
*** BREAK ***																		
Total	52	61	35	0	80	374	47	0	111	69	57	0	59	324	126	2	1397	
*** BREAK ***																		
14:30	22	44	11	0	34	211	18	0	70	42	42	0	38	147	61	7	747	
14:45	21	34	7	0	58	263	24	0	67	50	41	0	44	218	70	0	897	
Total	43	78	18	0	92	474	42	0	137	92	83	0	82	365	131	7	1644	
15:00	22	38	22	0	52	245	22	0	79	59	91	0	33	205	43	0	911	
15:15	19	35	25	0	49	262	30	0	98	68	50	0	41	200	48	0	925	
15:30	19	28	23	0	50	236	28	0	97	83	50	0	47	239	41	0	941	
15:45	23	39	29	0	35	273	29	0	105	72	40	0	34	239	38	0	956	
Total	83	140	99	0	186	1016	109	0	379	282	231	0	155	883	170	0	3733	



# MINNESOTA DEPT OF TRANSPORTATION

## TRAFFIC DATA COLLECTION - METRO

TH-7 at Louisiana Ave.  
 ref.pt.: 1193.050  
 collected by: ALLIANT CONSULT.  
 TURN MOVEMENT COUNT

File Name : TH-7 at Louisiana Ave 2007  
 Site Code : 00000164  
 Start Date : 12/11/2007  
 Page No : 2

Groups Printed- Cars & Trucks

Start Time	Louisiana Ave. Southbound				TH-7 Westbound				Louisiana Ave. Northbound				TH-7 Eastbound				Int. Total
	Left	Thru	Right	Peds	Left	Thru	Right	Peds	Left	Thru	Right	Peds	Left	Thru	Right	Peds	
16:00	22	28	23	1	22	275	35	0	95	87	78	0	44	269	41	0	1020
16:15	36	30	41	0	27	266	31	0	69	68	43	0	52	319	40	0	1022
16:30	36	40	36	0	37	317	32	0	80	92	65	0	74	292	32	0	1133
16:45	56	40	28	0	16	337	31	0	82	61	63	0	55	321	66	0	1156
Total	150	138	128	1	102	1195	129	0	326	308	249	0	225	1201	179	0	4331
17:00	48	47	25	0	37	303	35	0	74	64	50	0	54	324	26	1	1088
17:15	32	31	28	0	34	291	42	0	61	87	57	0	96	343	29	0	1131
17:30	44	61	31	0	50	283	46	0	60	58	53	0	72	342	18	0	1118
17:45	45	36	15	0	38	261	40	0	63	53	31	0	60	315	25	1	983
Total	169	175	99	0	159	1138	163	0	258	262	191	0	282	1324	98	2	4320
Grand Total	1172	1313	622	4	1842	8264	815	0	2021	1739	1461	1	1453	8896	2242	16	31861
Apprch %	37.7	42.2	20	0.1	16.9	75.7	7.5	0	38.7	33.3	28	0	11.5	70.6	17.8	0.1	
Total %	3.7	4.1	2	0	5.8	25.9	2.6	0	6.3	5.5	4.6	0	4.6	27.9	7	0.1	



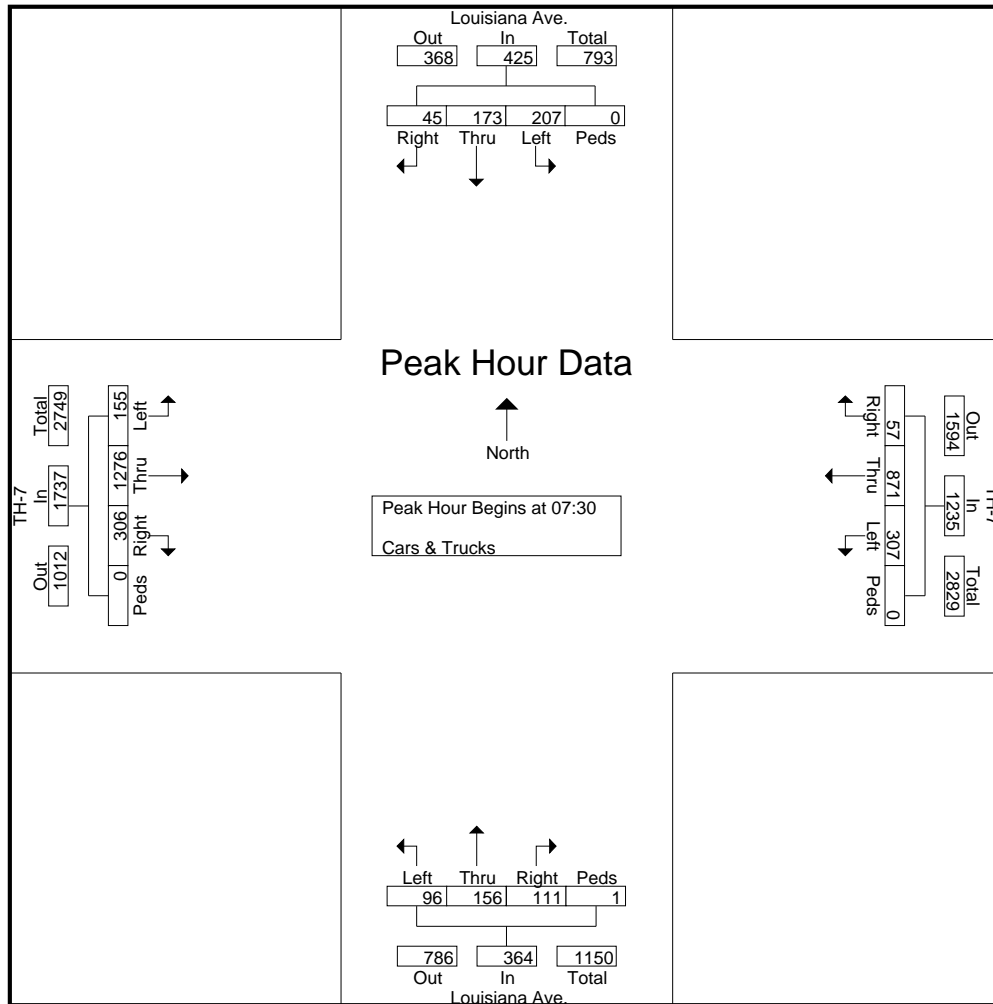
# MINNESOTA DEPT OF TRANSPORTATION

## TRAFFIC DATA COLLECTION - METRO

TH-7 at Louisiana Ave.  
 ref.pt.: 1193.050  
 collected by: ALLIANT CONSULT.  
 TURN MOVEMENT COUNT

File Name : TH-7 at Louisiana Ave 2007  
 Site Code : 00000164  
 Start Date : 12/11/2007  
 Page No : 3

Start Time	Louisiana Ave. Southbound					TH-7 Westbound					Louisiana Ave. Northbound					TH-7 Eastbound					Int. Total
	Left	Thru	Right	Peds	App. Total	Left	Thru	Right	Peds	App. Total	Left	Thru	Right	Peds	App. Total	Left	Thru	Right	Peds	App. Total	
Peak Hour Analysis From 06:00 to 09:15 - Peak 1 of 1																					
Peak Hour for Entire Intersection Begins at 07:30																					
07:30	52	41	7	0	100	59	200	10	0	269	28	37	29	1	95	40	361	60	0	461	925
07:45	60	55	14	0	129	98	289	22	0	409	28	51	27	0	106	50	336	104	0	490	1134
08:00	53	34	20	0	107	80	183	17	0	280	18	32	20	0	70	26	282	87	0	395	852
08:15	42	43	4	0	89	70	199	8	0	277	22	36	35	0	93	39	297	55	0	391	850
Total Volume	207	173	45	0	425	307	871	57	0	1235	96	156	111	1	364	155	1276	306	0	1737	3761
% App. Total	48.7	40.7	10.6	0		24.9	70.5	4.6	0		26.4	42.9	30.5	0.3		8.9	73.5	17.6	0		
PHF	.863	.786	.563	.000	.824	.783	.753	.648	.000	.755	.857	.765	.793	.250	.858	.775	.884	.736	.000	.886	.829





# MINNESOTA DEPT OF TRANSPORTATION

## TRAFFIC DATA COLLECTION - METRO

TH-7 at Louisiana Ave.  
 ref.pt.: 1193.050  
 collected by: ALLIANT CONSULT.  
 TURN MOVEMENT COUNT

File Name : TH-7 at Louisiana Ave 2007  
 Site Code : 00000164  
 Start Date : 12/11/2007  
 Page No : 4

Start Time	Louisiana Ave. Southbound					TH-7 Westbound					Louisiana Ave. Northbound					TH-7 Eastbound					Int. Total
	Left	Thru	Right	Peds	App. Total	Left	Thru	Right	Peds	App. Total	Left	Thru	Right	Peds	App. Total	Left	Thru	Right	Peds	App. Total	
Peak Hour Analysis From 14:30 to 17:45 - Peak 1 of 1																					
Peak Hour for Entire Intersection Begins at 16:30																					
16:30	36	40	36	0	112	37	317	32	0	386	80	92	65	0	237	74	292	32	0	398	1133
16:45	56	40	28	0	124	16	337	31	0	384	82	61	63	0	206	55	321	66	0	442	1156
17:00	48	47	25	0	120	37	303	35	0	375	74	64	50	0	188	54	324	26	1	405	1088
17:15	32	31	28	0	91	34	291	42	0	367	61	87	57	0	205	96	343	29	0	468	1131
Total Volume	172	158	117	0	447	124	1248	140	0	1512	297	304	235	0	836	279	1280	153	1	1713	4508
% App. Total	38.5	35.3	26.2	0		8.2	82.5	9.3	0		35.5	36.4	28.1	0		16.3	74.7	8.9	0.1		
PHF	.768	.840	.813	.000	.901	.838	.926	.833	.000	.979	.905	.826	.904	.000	.882	.727	.933	.580	.250	.915	.975

