



MINNESOTA DEPT OF TRANSPORTATION

TRAFFIC DATA COLLECTION - METRO

CSAH-101 at Seven HI Lane (7-HI Center)
 ref.pt.:
 Counter: Ken Levin - ALLIANT CONSULT
 TURN MOVEMENT COUNT

File Name : CSAH-101 at Seven HI Lane 2007
 Site Code : 00000152
 Start Date : 12/5/2007
 Page No : 1

Groups Printed- Cars & Trucks

Start Time	CSAH-101 Southbound				Seven HI Lane (shopping center) Westbound				CSAH-101 Northbound				Seven HI Lane (shopping center) Eastbound				Int. Total
	Left	Thru	Right	Peds	Left	Thru	Right	Peds	Left	Thru	Right	Peds	Left	Thru	Right	Peds	
06:00	2	18	0	0	5	1	3	0	6	20	13	0	0	0	1	0	69
06:15	4	19	0	0	5	2	2	0	1	20	11	0	0	0	0	0	64
06:30	3	47	1	0	4	2	4	0	1	32	11	0	2	0	4	0	111
06:45	12	67	0	0	11	3	4	0	4	35	17	0	0	1	4	0	158
Total	21	151	1	0	25	8	13	0	12	107	52	0	2	1	9	0	402
07:00	7	65	3	0	14	0	3	0	9	52	12	0	0	1	2	0	168
07:15	2	86	2	0	13	2	5	0	5	85	15	0	2	1	6	0	224
07:30	12	107	2	0	21	3	5	0	12	91	18	0	3	1	5	0	280
07:45	11	149	1	0	18	6	2	0	15	90	23	0	1	2	6	0	324
Total	32	407	8	0	66	11	15	0	41	318	68	0	6	5	19	0	996
08:00	11	67	8	0	10	2	6	0	7	120	26	0	5	1	5	0	268
08:15	11	55	2	0	29	1	1	0	12	71	21	0	5	1	10	0	219
08:30	17	84	5	0	26	0	1	0	19	79	23	0	6	2	11	0	273
08:45	18	73	6	0	18	2	2	0	27	126	27	0	8	1	5	0	313
Total	57	279	21	0	83	5	10	0	65	396	97	0	24	5	31	0	1073
09:00	18	79	6	0	20	4	9	0	23	86	18	0	15	4	20	0	302
09:15	21	51	4	0	33	3	10	0	45	74	34	0	14	2	22	0	313
*** BREAK ***																	
Total	39	130	10	0	53	7	19	0	68	160	52	0	29	6	42	0	615
*** BREAK ***																	
10:30	12	62	6	0	30	8	19	0	35	61	37	0	11	9	27	0	317
10:45	18	46	7	0	28	6	7	0	43	51	31	0	26	13	32	0	308
Total	30	108	13	0	58	14	26	0	78	112	68	0	37	22	59	0	625
11:00	32	59	7	0	48	7	16	0	37	39	35	0	21	11	36	0	348
11:15	17	67	6	0	54	9	18	0	38	43	42	0	20	5	36	0	355
11:30	15	54	19	0	47	10	10	0	48	51	40	0	22	8	41	0	365
11:45	29	52	18	0	45	6	13	0	40	68	41	0	26	13	35	0	386
Total	93	232	50	0	194	32	57	0	163	201	158	0	89	37	148	0	1454
12:00	20	60	17	0	68	8	15	0	50	55	44	0	30	10	54	0	431
12:15	27	59	15	0	47	8	21	0	63	54	49	0	31	9	36	0	419
12:30	20	65	22	0	62	16	17	0	38	65	30	0	29	11	57	0	432
12:45	33	72	19	0	55	12	22	0	50	54	41	0	25	11	52	0	446
Total	100	256	73	0	232	44	75	0	201	228	164	0	115	41	199	0	1728
13:00	20	61	36	0	61	12	16	0	38	47	41	0	30	16	42	0	420
13:15	27	46	19	0	58	27	15	0	44	52	53	0	30	14	42	0	427
*** BREAK ***																	
Total	47	107	55	0	119	39	31	0	82	99	94	0	60	30	84	0	847
*** BREAK ***																	
14:30	31	76	19	0	78	10	17	0	38	73	38	0	27	5	36	0	448
14:45	23	76	15	0	65	10	18	0	41	96	54	0	26	12	57	0	493
Total	54	152	34	0	143	20	35	0	79	169	92	0	53	17	93	0	941
15:00	30	85	15	0	68	19	15	0	51	88	41	0	20	7	50	0	489
15:15	38	87	21	0	82	11	19	0	55	64	44	0	18	7	52	0	498
15:30	29	76	26	0	63	9	25	0	41	62	41	0	26	13	56	0	467
15:45	24	76	31	0	96	9	25	0	52	103	43	0	40	11	44	0	554
Total	121	324	93	0	309	48	84	0	199	317	169	0	104	38	202	0	2008



MINNESOTA DEPT OF TRANSPORTATION

TRAFFIC DATA COLLECTION - METRO

CSAH-101 at Seven HI Lane (7-HI Center)
 ref.pt.:
 Counter: Ken Levin - ALLIANT CONSULT
 TURN MOVEMENT COUNT

File Name : CSAH-101 at Seven HI Lane 2007
 Site Code : 00000152
 Start Date : 12/5/2007
 Page No : 2

Groups Printed- Cars & Trucks

Start Time	CSAH-101 Southbound				Seven HI Lane (shopping center) Westbound				CSAH-101 Northbound				Seven HI Lane (shopping center) Eastbound				Int. Total
	Left	Thru	Right	Peds	Left	Thru	Right	Peds	Left	Thru	Right	Peds	Left	Thru	Right	Peds	
16:00	26	105	12	0	76	18	21	0	53	85	45	2	28	20	45	0	536
16:15	19	95	23	0	73	14	21	0	48	92	62	0	29	14	62	0	552
16:30	37	98	14	0	68	13	20	0	46	84	32	0	41	11	51	0	515
16:45	37	94	20	0	80	14	15	0	47	104	39	0	25	12	46	0	533
Total	119	392	69	0	297	59	77	0	194	365	178	2	123	57	204	0	2136
17:00	13	104	27	0	81	12	19	0	57	100	39	0	32	8	44	0	536
17:15	19	125	27	0	72	20	19	0	41	98	40	0	30	6	49	0	546
17:30	25	120	26	0	62	16	19	0	58	96	36	0	40	7	65	0	570
17:45	31	84	19	0	62	9	12	0	54	106	32	0	32	8	40	0	489
Total	88	433	99	0	277	57	69	0	210	400	147	0	134	29	198	0	2141
Grand Total	801	2971	526	0	1856	344	511	0	1392	2872	1339	2	776	288	1288	0	14966
Apprch %	18.6	69.1	12.2	0	68.5	12.7	18.8	0	24.8	51.2	23.9	0	33	12.2	54.8	0	
Total %	5.4	19.9	3.5	0	12.4	2.3	3.4	0	9.3	19.2	8.9	0	5.2	1.9	8.6	0	



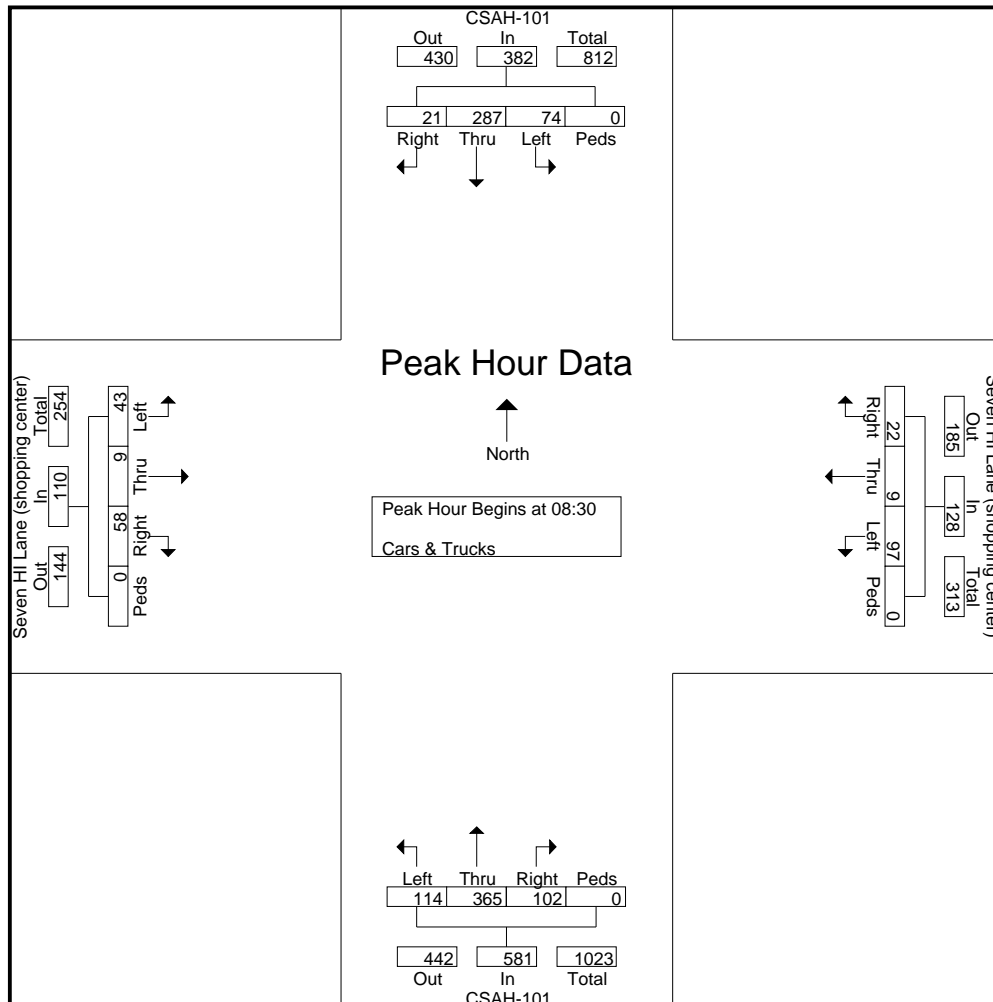
MINNESOTA DEPT OF TRANSPORTATION

TRAFFIC DATA COLLECTION - METRO

CSAH-101 at Seven HI Lane (7-HI Center)
 ref.pt.:
 Counter: Ken Levin - ALLIANT CONSULT
 TURN MOVEMENT COUNT

File Name : CSAH-101 at Seven HI Lane 2007
 Site Code : 00000152
 Start Date : 12/5/2007
 Page No : 3

Start Time	CSAH-101 Southbound					Seven HI Lane (shopping center) Westbound					CSAH-101 Northbound					Seven HI Lane (shopping center) Eastbound					Int. Total
	Left	Thru	Right	Peds	App. Total	Left	Thru	Right	Peds	App. Total	Left	Thru	Right	Peds	App. Total	Left	Thru	Right	Peds	App. Total	
Peak Hour Analysis From 06:00 to 09:15 - Peak 1 of 1																					
Peak Hour for Entire Intersection Begins at 08:30																					
08:30	17	84	5	0	106	26	0	1	0	27	19	79	23	0	121	6	2	11	0	19	273
08:45	18	73	6	0	97	18	2	2	0	22	27	126	27	0	180	8	1	5	0	14	313
09:00	18	79	6	0	103	20	4	9	0	33	23	86	18	0	127	15	4	20	0	39	302
09:15	21	51	4	0	76	33	3	10	0	46	45	74	34	0	153	14	2	22	0	38	313
Total Volume	74	287	21	0	382	97	9	22	0	128	114	365	102	0	581	43	9	58	0	110	1201
% App. Total																					
PHF	.881	.854	.875	.000	.901	.735	.563	.550	.000	.696	.633	.724	.750	.000	.807	.717	.563	.659	.000	.705	.959





MINNESOTA DEPT OF TRANSPORTATION

TRAFFIC DATA COLLECTION - METRO

CSAH-101 at Seven HI Lane (7-HI Center)
 ref.pt.:
 Counter: Ken Levin - ALLIANT CONSULT
 TURN MOVEMENT COUNT

File Name : CSAH-101 at Seven HI Lane 2007
 Site Code : 00000152
 Start Date : 12/5/2007
 Page No : 4

Start Time	CSAH-101 Southbound					Seven HI Lane (shopping center) Westbound					CSAH-101 Northbound					Seven HI Lane (shopping center) Eastbound					Int. Total
	Left	Thru	Right	Peds	App. Total	Left	Thru	Right	Peds	App. Total	Left	Thru	Right	Peds	App. Total	Left	Thru	Right	Peds	App. Total	
Peak Hour Analysis From 15:00 to 17:45 - Peak 1 of 1																					
Peak Hour for Entire Intersection Begins at 16:45																					
16:45	37	94	20	0	151	80	14	15	0	109	47	104	39	0	190	25	12	46	0	83	533
17:00	13	104	27	0	144	81	12	19	0	112	57	100	39	0	196	32	8	44	0	84	536
17:15	19	125	27	0	171	72	20	19	0	111	41	98	40	0	179	30	6	49	0	85	546
17:30	25	120	26	0	171	62	16	19	0	97	58	96	36	0	190	40	7	65	0	112	570
Total Volume	94	443	100	0	637	295	62	72	0	429	203	398	154	0	755	127	33	204	0	364	2185
% App. Total																					
PHF	.635	.886	.926	.000	.931	.910	.775	.947	.000	.958	.875	.957	.963	.000	.963	.794	.688	.785	.000	.813	.958

