



MINNESOTA DEPT OF TRANSPORTATION

TRAFFIC DATA COLLECTION - METRO

Loc: th 65 @ th 10 north ramp 2003
 ref. pt.: 011+00.057
 data collected by: aliant eng., inc.
 tmc: am pm noon

File Name : T.H. 65 at T.H. 10 North
 Site Code : 00000021
 Start Date : 8/20/2003
 Page No : 1

Groups Printed- Unshifted

Start Time	T.H. 65 Southbound					T.H. 10 north ramp Westbound					T.H. 65 Northbound					n/a Eastbound					Int. Total
	Left	Thru	Right	Peds	App. Total	Left	Thru	Right	Peds	App. Total	Left	Thru	Right	Peds	App. Total	Left	Thru	Right	Peds	App. Total	
06:00	0	492	113	0	605	17	0	67	0	84	12	128	0	0	140	0	0	0	0	0	829
06:15	0	603	116	0	719	12	0	71	0	83	25	157	0	0	182	0	0	0	0	0	984
06:30	0	558	77	0	635	18	0	72	0	90	33	185	0	0	218	0	0	0	0	0	943
06:45	0	596	107	0	703	15	1	66	0	82	22	185	0	0	207	0	0	0	0	0	992
Total	0	2249	413	0	2662	62	1	276	0	339	92	655	0	0	747	0	0	0	0	0	3748
07:00	3	591	113	0	707	11	0	67	0	78	27	179	0	0	206	0	0	0	0	0	991
07:15	0	581	110	0	691	14	0	76	0	90	43	170	0	0	213	0	0	0	0	0	994
07:30	0	607	120	0	727	28	0	52	1	81	37	205	0	0	242	0	0	0	0	0	1050
07:45	1	556	110	0	667	22	1	69	0	92	37	200	1	0	238	0	0	0	0	0	997
Total	4	2335	453	0	2792	75	1	264	1	341	144	754	1	0	899	0	0	0	0	0	4032
08:00	0	524	137	0	661	24	0	84	0	108	39	218	0	0	257	0	0	0	0	0	1026
08:15	0	482	139	0	621	30	0	63	0	93	44	185	0	0	229	0	0	0	0	0	943
08:30	0	446	103	0	549	28	0	69	0	97	54	200	0	0	254	0	0	0	0	0	900
08:45	0	364	91	0	455	31	0	81	0	112	33	200	0	0	233	0	0	0	0	0	800
Total	0	1816	470	0	2286	113	0	297	0	410	170	803	0	0	973	0	0	0	0	0	3669
11:00	0	346	84	0	430	22	2	88	0	112	47	265	0	0	312	0	0	0	0	0	854
11:15	0	342	74	0	416	31	0	102	0	133	49	288	0	0	337	0	0	0	0	0	886
11:30	0	315	80	0	395	32	0	93	0	125	54	299	0	0	353	0	0	0	0	0	873
11:45	0	340	73	0	413	29	0	80	0	109	39	313	0	0	352	0	0	0	0	0	874
Total	0	1343	311	0	1654	114	2	363	0	479	189	1165	0	0	1354	0	0	0	0	0	3487
12:00	0	388	96	0	484	24	0	85	0	109	65	303	0	0	368	0	0	0	0	0	961
12:15	0	326	89	0	415	5	0	89	0	94	58	320	5	0	383	0	0	0	0	0	892
12:30	0	315	97	0	412	34	0	100	0	134	45	353	0	0	398	0	0	0	0	0	944
12:45	0	326	79	0	405	39	1	77	0	117	62	311	0	0	373	0	0	0	0	0	895
Total	0	1355	361	0	1716	102	1	351	0	454	230	1287	5	0	1522	0	0	0	0	0	3692



MINNESOTA DEPT OF TRANSPORTATION

TRAFFIC DATA COLLECTION - METRO

File Name : T.H. 65 at T.H. 10 North
 Site Code : 00000021
 Start Date : 8/20/2003
 Page No : 2

Groups Printed- Unshifted

Start Time	T.H. 65 Southbound					T.H. 10 north ramp Westbound					T.H. 65 Northbound					n/a Eastbound					Int. Total
	Left	Thru	Right	Peds	App. Total	Left	Thru	Right	Peds	App. Total	Left	Thru	Right	Peds	App. Total	Left	Thru	Right	Peds	App. Total	
15:00	0	341	101	0	442	31	0	147	0	178	93	443	0	0	536	0	0	0	0	0	1156
15:15	0	283	77	0	360	34	0	66	0	100	89	479	0	0	568	0	0	0	0	0	1028
15:30	0	295	131	0	426	24	0	34	0	58	95	428	0	0	523	0	0	0	0	0	1007
15:45	0	251	87	0	338	36	0	30	0	66	82	480	0	0	562	0	0	0	0	0	966
Total	0	1170	396	0	1566	125	0	277	0	402	359	1830	0	0	2189	0	0	0	0	0	4157
16:00	0	274	121	0	395	17	0	10	0	27	89	385	0	0	474	0	0	0	0	0	896
16:15	0	293	83	0	376	22	0	33	0	55	101	455	0	0	556	0	0	0	0	0	987
16:30	0	338	121	0	459	28	0	18	0	46	99	480	0	0	579	0	0	0	0	0	1084
16:45	0	271	92	0	363	19	0	51	0	70	111	516	0	0	627	0	0	0	0	0	1060
Total	0	1176	417	0	1593	86	0	112	0	198	400	1836	0	0	2236	0	0	0	0	0	4027
17:00	0	357	112	0	469	30	0	15	0	45	114	420	0	0	534	0	0	0	0	0	1048
17:15	2	280	99	0	381	27	0	49	0	76	113	498	0	0	611	0	0	0	0	0	1068
17:30	0	331	96	0	427	20	0	45	0	65	103	503	0	0	606	0	0	0	0	0	1098
17:45	0	271	93	0	364	29	0	30	0	59	93	433	1	0	527	0	0	0	0	0	950
Total	2	1239	400	0	1641	106	0	139	0	245	423	1854	1	0	2278	0	0	0	0	0	4164
Grand Total	6	12683	3221	0	15910	783	5	2079	1	2868	2007	10184	7	0	12198	0	0	0	0	0	30976
Apprch %	0	79.7	20.2	0		27.3	0.2	72.5	0		16.5	83.5	0.1	0		0	0	0	0	0	
Total %	0	40.9	10.4	0	51.4	2.5	0	6.7	0	9.3	6.5	32.9	0	0	39.4	0	0	0	0	0	

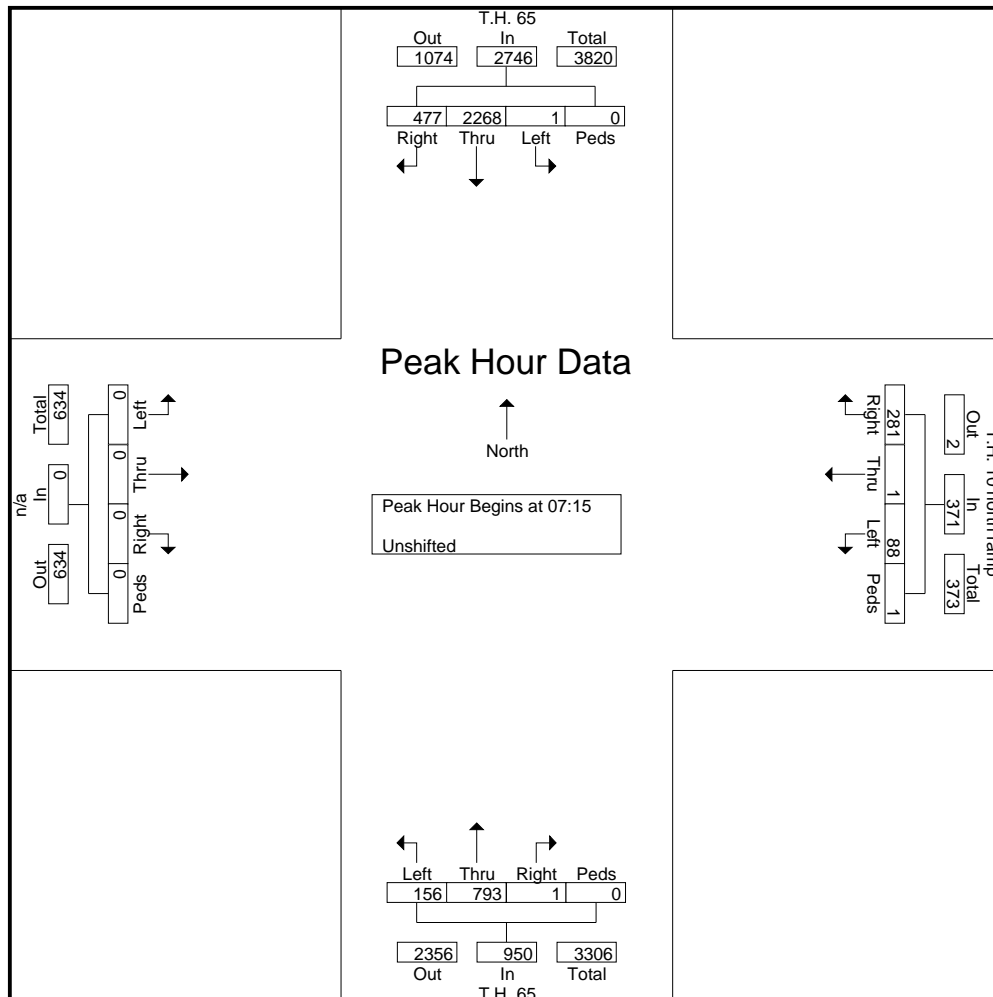


MINNESOTA DEPT OF TRANSPORTATION

TRAFFIC DATA COLLECTION - METRO

File Name : T.H. 65 at T.H. 10 North
 Site Code : 00000021
 Start Date : 8/20/2003
 Page No : 3

Start Time	T.H. 65 Southbound					T.H. 10 north ramp Westbound					T.H. 65 Northbound					n/a Eastbound					Int. Total
	Left	Thru	Right	Peds	App. Total	Left	Thru	Right	Peds	App. Total	Left	Thru	Right	Peds	App. Total	Left	Thru	Right	Peds	App. Total	
Peak Hour Analysis From 06:00 to 09:45 - Peak 1 of 1																					
Peak Hour for Entire Intersection Begins at 07:15																					
07:15	0	581	110	0	691	14	0	76	0	90	43	170	0	0	213	0	0	0	0	0	994
07:30	0	607	120	0	727	28	0	52	1	81	37	205	0	0	242	0	0	0	0	0	1050
07:45	1	556	110	0	667	22	1	69	0	92	37	200	1	0	238	0	0	0	0	0	997
08:00	0	524	137	0	661	24	0	84	0	108	39	218	0	0	257	0	0	0	0	0	1026
Total Volume	1	2268	477	0	2746	88	1	281	1	371	156	793	1	0	950	0	0	0	0	0	4067
% App. Total	0	82.6	17.4	0		23.7	0.3	75.7	0.3		16.4	83.5	0.1	0		0	0	0	0		
PHF	.250	.934	.870	.000	.944	.786	.250	.836	.250	.859	.907	.909	.250	.000	.924	.000	.000	.000	.000	.000	.968



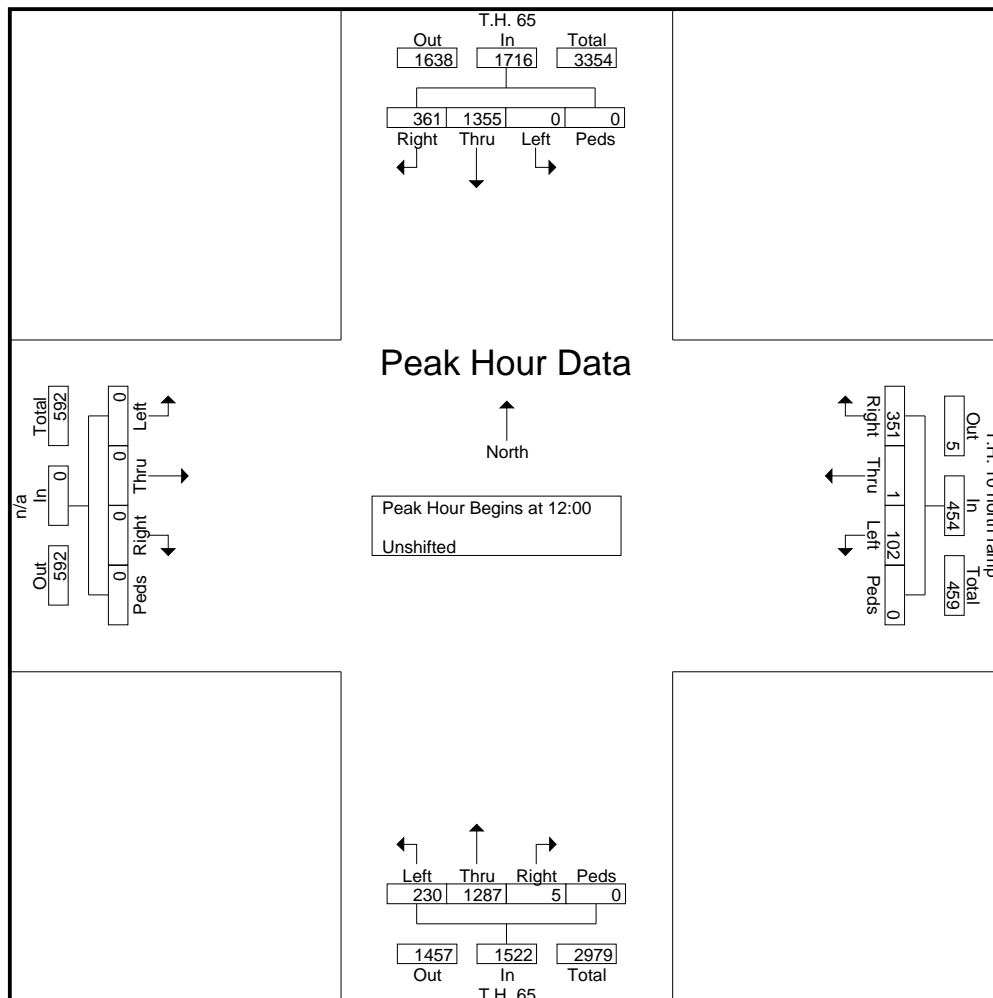


MINNESOTA DEPT OF TRANSPORTATION

TRAFFIC DATA COLLECTION - METRO

File Name : T.H. 65 at T.H. 10 North
 Site Code : 00000021
 Start Date : 8/20/2003
 Page No : 4

Start Time	T.H. 65 Southbound					T.H. 10 north ramp Westbound					T.H. 65 Northbound					n/a Eastbound					Int. Total
	Left	Thru	Right	Peds	App. Total	Left	Thru	Right	Peds	App. Total	Left	Thru	Right	Peds	App. Total	Left	Thru	Right	Peds	App. Total	
Peak Hour Analysis From 10:00 to 13:45 - Peak 1 of 1																					
Peak Hour for Entire Intersection Begins at 12:00																					
12:00	0	388	96	0	484	24	0	85	0	109	65	303	0	0	368	0	0	0	0	0	961
12:15	0	326	89	0	415	5	0	89	0	94	58	320	5	0	383	0	0	0	0	0	892
12:30	0	315	97	0	412	34	0	100	0	134	45	353	0	0	398	0	0	0	0	0	944
12:45	0	326	79	0	405	39	1	77	0	117	62	311	0	0	373	0	0	0	0	0	895
Total Volume	0	1355	361	0	1716	102	1	351	0	454	230	1287	5	0	1522	0	0	0	0	0	3692
% App. Total	0	79	21	0		22.5	0.2	77.3	0		15.1	84.6	0.3	0		0	0	0	0		
PHF	.000	.873	.930	.000	.886	.654	.250	.878	.000	.847	.885	.911	.250	.000	.956	.000	.000	.000	.000	.000	.960





MINNESOTA DEPT OF TRANSPORTATION

TRAFFIC DATA COLLECTION - METRO

File Name : T.H. 65 at T.H. 10 North
 Site Code : 00000021
 Start Date : 8/20/2003
 Page No : 5

Start Time	T.H. 65 Southbound					T.H. 10 north ramp Westbound					T.H. 65 Northbound					n/a Eastbound					Int. Total
	Left	Thru	Right	Peds	App. Total	Left	Thru	Right	Peds	App. Total	Left	Thru	Right	Peds	App. Total	Left	Thru	Right	Peds	App. Total	
Peak Hour Analysis From 14:00 to 17:45 - Peak 1 of 1																					
Peak Hour for Entire Intersection Begins at 16:45																					
16:45	0	271	92	0	363	19	0	51	0	70	111	516	0	0	627	0	0	0	0	0	1060
17:00	0	357	112	0	469	30	0	15	0	45	114	420	0	0	534	0	0	0	0	0	1048
17:15	2	280	99	0	381	27	0	49	0	76	113	498	0	0	611	0	0	0	0	0	1068
17:30	0	331	96	0	427	20	0	45	0	65	103	503	0	0	606	0	0	0	0	0	1098
Total Volume	2	1239	399	0	1640	96	0	160	0	256	441	1937	0	0	2378	0	0	0	0	0	4274
% App. Total	0.1	75.5	24.3	0		37.5	0	62.5	0		18.5	81.5	0	0		0	0	0	0		
PHF	.250	.868	.891	.000	.874	.800	.000	.784	.000	.842	.967	.938	.000	.000	.948	.000	.000	.000	.000	.000	.973

