

# Alliant Engineering Inc

## Minneapolis, MN 55415

TH-65 at TH-10, South Ramps  
 Ref.Pt.: 010.960 BLAINE  
 data by Alliant Engineering Inc  
 TURN MOVEMENT COUNT

File Name : TH-65 at TH-10 South Ramps 2009  
 Site Code : 00000011  
 Start Date : 1/8/2009  
 Page No : 1

**Groups Printed- Unshifted**

Start Time	TH-65 Southbound				ramp to EB TH-10 Westbound				TH-65 Northbound				ramp from EB TH-10 Eastbound				Int. Total
	Left	Thru	Right	Peds	Left	Thru	Right	Peds	Left	Thru	Right	Peds	Left	Thru	Right	Peds	
06:00	0	397	140	0	0	0	0	0	0	58	7	0	11	0	24	0	637
06:15	0	356	249	0	0	0	0	0	0	73	6	0	60	0	40	0	784
06:30	0	442	223	0	0	0	0	0	0	66	3	0	68	0	49	0	851
06:45	0	453	184	0	0	0	0	0	0	107	2	0	88	0	60	0	894
Total	0	1648	796	0	0	0	0	0	0	304	18	0	227	0	173	0	3166
07:00	0	460	204	0	0	0	0	0	0	119	7	0	73	0	81	0	944
07:15	0	439	164	0	0	0	0	0	0	136	0	0	74	1	81	2	897
07:30	0	463	147	0	0	0	0	0	0	152	0	0	88	0	59	0	909
07:45	0	391	138	0	0	0	0	0	0	166	0	0	101	0	159	0	955
Total	0	1753	653	0	0	0	0	0	0	573	7	0	336	1	380	2	3705
08:00	0	341	134	0	0	0	0	0	0	148	9	0	73	0	84	0	789
08:15	0	277	128	0	0	0	0	0	0	135	6	0	88	0	74	0	708
08:30	0	253	164	0	0	0	0	0	0	153	2	0	60	0	78	0	710
08:45	0	249	148	0	0	0	0	0	0	135	3	0	88	0	86	0	709
Total	0	1120	574	0	0	0	0	0	0	571	20	0	309	0	322	0	2916
09:00	0	236	112	0	0	0	0	0	0	155	2	0	73	0	70	0	648
09:15	0	213	121	0	0	0	0	0	0	163	7	0	72	0	61	0	637
*** BREAK ***																	
Total	0	449	233	0	0	0	0	0	0	318	9	0	145	0	131	0	1285
*** BREAK ***																	
10:30	0	205	65	0	0	0	0	0	0	194	1	0	71	0	46	0	582
10:45	0	157	97	0	0	0	0	0	0	219	2	0	68	0	48	0	591
Total	0	362	162	0	0	0	0	0	0	413	3	0	139	0	94	0	1173
11:00	0	191	93	0	0	0	0	0	0	263	3	0	75	0	33	0	658
11:15	0	227	65	0	0	0	0	0	0	260	1	0	81	0	42	0	676
11:30	0	211	76	0	0	0	0	0	0	268	7	0	87	0	34	0	683
11:45	0	234	86	0	0	0	0	0	0	270	1	0	86	0	36	0	713
Total	0	863	320	0	0	0	0	0	0	1061	12	0	329	0	145	0	2730
12:00	0	208	68	0	0	0	0	0	0	290	0	0	104	0	34	0	704
12:15	0	222	74	0	0	0	0	0	0	267	13	0	68	0	27	0	671
12:30	0	244	95	0	0	0	0	0	0	281	3	0	76	0	24	0	723
12:45	0	234	86	0	0	0	0	0	0	247	2	0	64	0	36	0	669
Total	0	908	323	0	0	0	0	0	0	1085	18	0	312	0	121	0	2767
13:00	0	199	81	0	0	0	0	0	0	291	0	0	85	0	31	0	687
13:15	0	214	99	0	0	0	0	0	0	250	4	0	81	0	38	0	686
*** BREAK ***																	
Total	0	413	180	0	0	0	0	0	0	541	4	0	166	0	69	0	1373
*** BREAK ***																	
14:30	0	234	73	0	0	0	0	0	0	437	2	0	119	0	47	0	912
14:45	0	220	91	0	0	0	0	0	0	439	3	0	134	0	66	0	953
Total	0	454	164	0	0	0	0	0	0	876	5	0	253	0	113	0	1865
15:00	0	200	93	0	0	0	0	0	0	479	3	0	135	0	46	0	956
15:15	0	219	83	0	0	0	0	0	0	514	5	0	114	0	53	0	988
15:30	0	241	82	0	0	0	0	0	0	533	0	0	144	0	47	0	1047
15:45	0	211	81	0	0	0	0	0	0	562	6	0	149	0	41	0	1050
Total	0	871	339	0	0	0	0	0	0	2088	14	0	542	0	187	0	4041

# Alliant Engineering Inc

## Minneapolis, MN 55415

TH-65 at TH-10, South Ramps  
 Ref.Pt.: 010.960 BLAINE  
 data by Alliant Engineering Inc  
 TURN MOVEMENT COUNT

File Name : TH-65 at TH-10 South Ramps 2009  
 Site Code : 00000011  
 Start Date : 1/8/2009  
 Page No : 2

**Groups Printed- Unshifted**

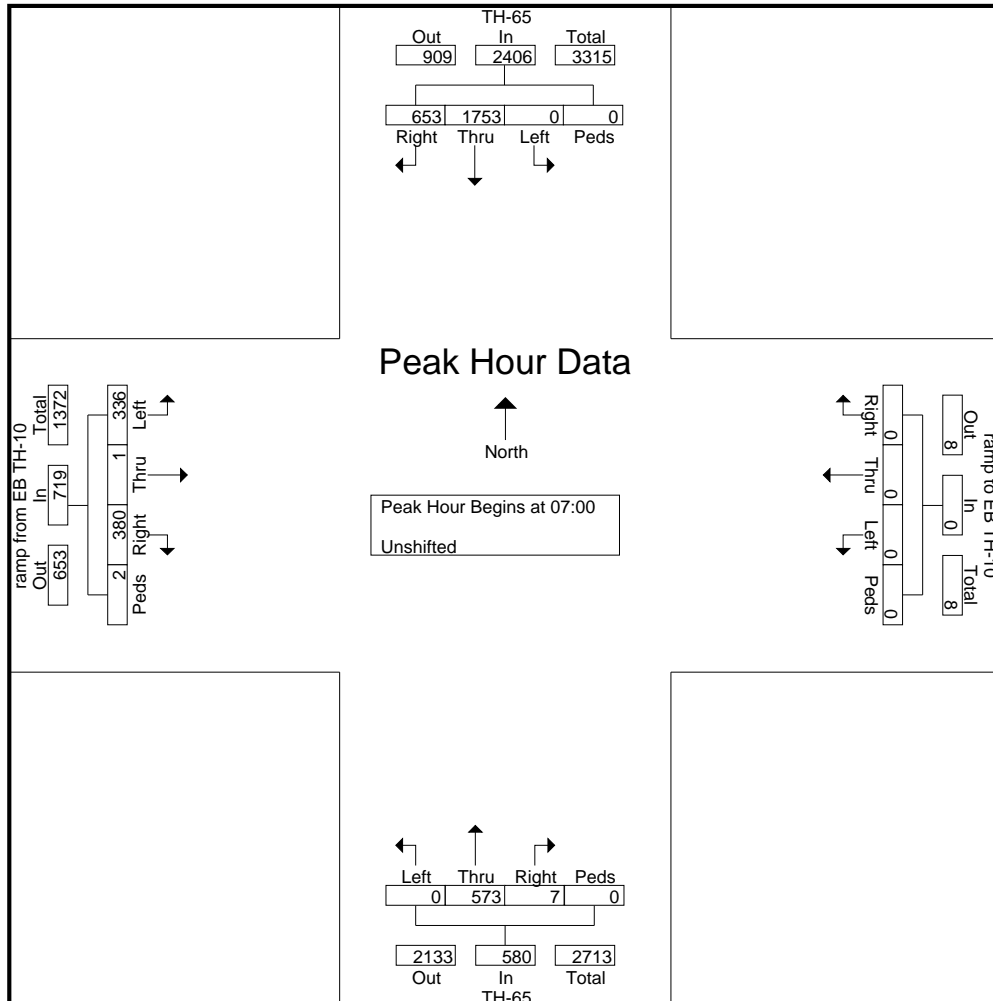
Start Time	TH-65 Southbound				ramp to EB TH-10 Westbound				TH-65 Northbound				ramp from EB TH-10 Eastbound				Int. Total
	Left	Thru	Right	Peds	Left	Thru	Right	Peds	Left	Thru	Right	Peds	Left	Thru	Right	Peds	
16:00	0	197	67	0	0	0	0	0	0	520	4	0	130	0	56	0	974
16:15	0	193	71	0	0	0	0	0	0	580	12	0	161	0	28	0	1045
16:30	0	223	90	0	0	0	0	0	0	539	1	0	147	0	37	0	1037
16:45	0	238	71	0	0	0	0	0	28	532	15	0	151	0	45	0	1080
Total	0	851	299	0	0	0	0	0	28	2171	32	0	589	0	166	0	4136
17:00	0	215	106	0	0	0	0	0	0	586	6	0	150	0	41	0	1104
17:15	0	231	71	0	0	0	0	0	0	550	5	0	188	0	28	0	1073
17:30	0	200	91	0	0	0	0	0	0	504	5	0	184	0	28	0	1012
17:45	0	188	86	0	0	0	0	0	0	459	8	0	226	0	46	0	1013
Total	0	834	354	0	0	0	0	0	0	2099	24	0	748	0	143	0	4202
Grand Total	0	10526	4397	0	0	0	0	0	28	12100	166	0	4095	1	2044	2	33359
Apprch %	0	70.5	29.5	0	0	0	0	0	0.2	98.4	1.4	0	66.7	0	33.3	0	
Total %	0	31.6	13.2	0	0	0	0	0	0.1	36.3	0.5	0	12.3	0	6.1	0	

# Alliant Engineering Inc Minneapolis, MN 55415

TH-65 at TH-10, South Ramps  
 Ref.Pt.: 010.960 BLAINE  
 data by Alliant Engineering Inc  
 TURN MOVEMENT COUNT

File Name : TH-65 at TH-10 South Ramps 2009  
 Site Code : 00000011  
 Start Date : 1/8/2009  
 Page No : 3

Start Time	TH-65 Southbound					ramp to EB TH-10 Westbound					TH-65 Northbound					ramp from EB TH-10 Eastbound					Int. Total
	Left	Thru	Right	Peds	App. Total	Left	Thru	Right	Peds	App. Total	Left	Thru	Right	Peds	App. Total	Left	Thru	Right	Peds	App. Total	
Peak Hour Analysis From 06:00 to 08:45 - Peak 1 of 1																					
Peak Hour for Entire Intersection Begins at 07:00																					
07:00	0	460	204	0	664	0	0	0	0	0	0	119	7	0	126	73	0	81	0	154	944
07:15	0	439	164	0	603	0	0	0	0	0	0	136	0	0	136	74	1	81	2	158	897
07:30	0	463	147	0	610	0	0	0	0	0	0	152	0	0	152	88	0	59	0	147	909
07:45	0	391	138	0	529	0	0	0	0	0	0	166	0	0	166	101	0	159	0	260	955
Total Volume	0	1753	653	0	2406	0	0	0	0	0	0	573	7	0	580	336	1	380	2	719	3705
% App. Total	0	72.9	27.1	0		0	0	0	0		0	98.8	1.2	0		46.7	0.1	52.9	0.3		
PHF	.000	.947	.800	.000	.906	.000	.000	.000	.000	.000	.000	.863	.250	.000	.873	.832	.250	.597	.250	.691	.970



# Alliant Engineering Inc Minneapolis, MN 55415

TH-65 at TH-10, South Ramps  
Ref.Pt.: 010.960 BLAINE  
data by Alliant Engineering Inc  
TURN MOVEMENT COUNT

File Name : TH-65 at TH-10 South Ramps 2009  
Site Code : 00000011  
Start Date : 1/8/2009  
Page No : 4

Start Time	TH-65 Southbound					ramp to EB TH-10 Westbound					TH-65 Northbound					ramp from EB TH-10 Eastbound					Int. Total
	Left	Thru	Right	Peds	App. Total	Left	Thru	Right	Peds	App. Total	Left	Thru	Right	Peds	App. Total	Left	Thru	Right	Peds	App. Total	
Peak Hour Analysis From 15:00 to 17:45 - Peak 1 of 1																					
Peak Hour for Entire Intersection Begins at 16:30																					
16:30	0	223	90	0	313	0	0	0	0	0	0	539	1	0	540	147	0	37	0	184	1037
16:45	0	238	71	0	309	0	0	0	0	0	28	532	15	0	575	151	0	45	0	196	1080
17:00	0	215	106	0	321	0	0	0	0	0	0	586	6	0	592	150	0	41	0	191	1104
17:15	0	231	71	0	302	0	0	0	0	0	0	550	5	0	555	188	0	28	0	216	1073
Total Volume	0	907	338	0	1245	0	0	0	0	0	28	2207	27	0	2262	636	0	151	0	787	4294
% App. Total	0	72.9	27.1	0		0	0	0	0		1.2	97.6	1.2	0		80.8	0	19.2	0		
PHF	.000	.953	.797	.000	.970	.000	.000	.000	.000	.000	.250	.942	.450	.000	.955	.846	.000	.839	.000	.911	.972

