



# MINNESOTA DEPT OF TRANSPORTATION

## TRAFFIC DATA COLLECTION - METRO

TH-61 at CSAH-2 / Broadway Ave  
 Ref.Pt.: 160.951  
 ROUNDABOUT Video JI  
 TURN MOVEMENT COUNT

File Name : TH-61 at CSAH-2 roundabout 2013  
 Site Code :  
 Start Date : 4/8/2013  
 Page No : 1

Groups Printed- Cars +

Start Time	TH-61 Southbound				Broadway Ave E Westbound				TH-61 Northbound				CSAH 2 / Broadway Ave.W Eastbound				Int. Total
	Left	Thru	Right	Peds	Left	Thru	Right	Peds	Left	Thru	Right	Peds	Left	Thru	Right	Peds	
06:00	1	38	7	0	0	1	0	0	11	15	2	0	6	2	4	0	87
06:15	1	43	22	0	2	3	0	0	16	30	0	0	1	4	18	0	140
06:30	0	75	19	0	1	2	1	0	12	26	1	0	12	6	7	0	162
06:45	1	79	16	0	1	1	0	0	13	38	4	0	12	11	10	0	186
Total	3	235	64	0	4	7	1	0	52	109	7	0	31	23	39	0	575
07:00	2	92	25	0	1	4	0	0	16	39	4	0	14	27	24	0	248
07:15	4	147	55	0	0	4	1	0	35	59	2	0	17	10	27	0	361
07:30	1	165	31	0	1	1	1	0	40	93	6	0	23	8	22	0	392
07:45	5	111	34	0	2	3	0	0	44	115	10	0	33	11	29	0	397
Total	12	515	145	0	4	12	2	0	135	306	22	0	87	56	102	0	1398
08:00	1	43	29	0	0	8	2	0	33	53	9	0	35	10	16	0	239
08:15	6	55	32	0	2	3	2	0	20	45	8	0	22	4	25	0	224
08:30	1	58	23	0	4	5	2	0	22	56	2	0	23	8	29	0	233
08:45	4	83	43	0	2	4	4	0	17	63	10	0	18	10	33	0	291
Total	12	239	127	0	8	20	10	0	92	217	29	0	98	32	103	0	987
*****BREAK*****																	
11:00	3	59	46	0	7	12	0	0	42	54	6	0	34	11	33	0	307
11:15	2	72	61	0	6	9	3	0	61	63	6	0	38	9	27	0	357
11:30	4	69	51	0	7	12	4	0	31	55	10	0	54	14	39	0	350
11:45	1	69	57	0	2	14	2	0	33	63	7	0	46	13	46	0	353
Total	10	269	215	0	22	47	9	0	167	235	29	0	172	47	145	0	1367
12:00	4	74	60	0	12	11	7	0	32	67	14	0	67	10	45	0	403
12:15	4	66	57	0	6	10	0	0	37	57	15	0	48	12	44	0	356
12:30	5	62	46	0	5	9	2	0	27	73	11	0	72	15	41	0	368
12:45	6	58	55	0	5	6	5	0	35	81	9	0	66	12	50	0	388
Total	19	260	218	0	28	36	14	0	131	278	49	0	253	49	180	0	1515
*****BREAK*****																	
15:00	7	70	44	0	7	9	6	0	48	99	12	0	58	19	43	0	422
15:15	3	91	41	0	12	11	3	0	34	124	6	0	110	8	43	0	486
15:30	4	99	37	0	6	14	4	0	36	129	10	0	87	9	40	0	475
15:45	6	89	51	0	8	14	8	0	46	115	17	0	65	16	54	0	489
Total	20	349	173	0	33	48	21	0	164	467	45	0	320	52	180	0	1872
16:00	4	84	46	0	3	21	14	0	45	121	9	0	77	17	54	0	495
16:15	3	91	40	0	7	14	8	0	41	138	13	0	70	18	54	0	497
16:30	8	97	47	0	5	12	13	0	37	139	11	0	79	15	52	0	515
16:45	2	86	42	0	13	11	13	0	35	120	11	0	82	16	43	0	474
Total	17	358	175	0	28	58	48	0	158	518	44	0	308	66	203	0	1981
17:00	4	96	55	0	11	19	13	0	47	113	16	0	69	10	57	0	510
17:15	3	82	51	0	6	9	3	0	52	111	14	0	59	8	52	0	450
17:30	5	79	54	0	5	8	2	0	40	109	15	0	67	14	44	0	442
17:45	4	69	42	0	11	16	7	0	45	95	24	0	87	13	48	0	461
Total	16	326	202	0	33	52	25	0	184	428	69	0	282	45	201	0	1863
Grand Total	109	2551	1319	0	160	280	130	0	1083	2558	294	0	1551	370	1153	0	11558
Apprch %	2.7	64.1	33.1	0	28.1	49.1	22.8	0	27.5	65	7.5	0	50.5	12	37.5	0	
Total %	0.9	22.1	11.4	0	1.4	2.4	1.1	0	9.4	22.1	2.5	0	13.4	3.2	10	0	



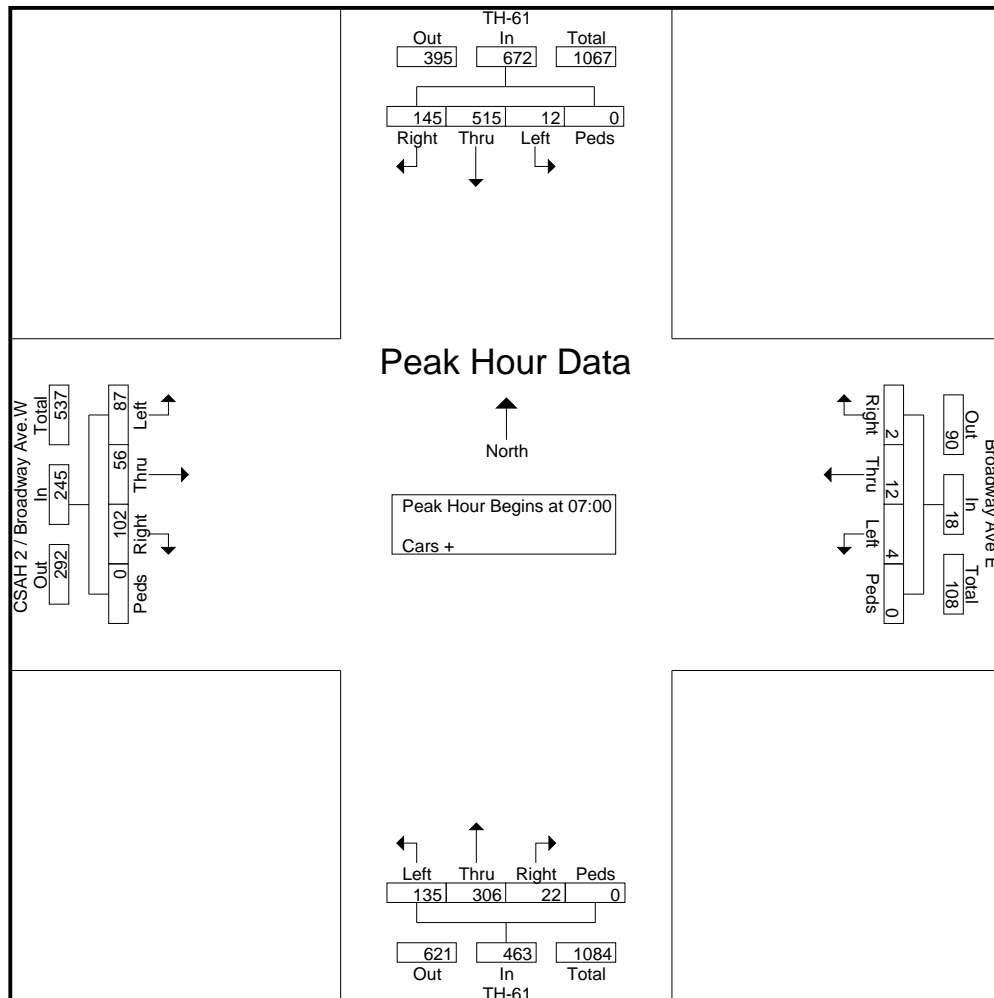
# MINNESOTA DEPT OF TRANSPORTATION

## TRAFFIC DATA COLLECTION - METRO

TH-61 at CSAH-2 / Broadway Ave  
 Ref.Pt.: 160.951  
 ROUNDABOUT Video JI  
 TURN MOVEMENT COUNT

File Name : TH-61 at CSAH-2 roundabout 2013  
 Site Code :  
 Start Date : 4/8/2013  
 Page No : 2

Start Time	TH-61 Southbound					Broadway Ave E Westbound					TH-61 Northbound					CSAH 2 / Broadway Ave.W Eastbound					Int. Total
	Left	Thru	Right	Peds	App. Total	Left	Thru	Right	Peds	App. Total	Left	Thru	Right	Peds	App. Total	Left	Thru	Right	Peds	App. Total	
Peak Hour Analysis From 06:00 to 08:45 - Peak 1 of 1																					
Peak Hour for Entire Intersection Begins at 07:00																					
07:00	2	92	25	0	119	1	4	0	0	5	16	39	4	0	59	14	27	24	0	65	248
07:15	4	147	55	0	206	0	4	1	0	5	35	59	2	0	96	17	10	27	0	54	361
07:30	1	165	31	0	197	1	1	1	0	3	40	93	6	0	139	23	8	22	0	53	392
07:45	5	111	34	0	150	2	3	0	0	5	44	115	10	0	169	33	11	29	0	73	397
Total Volume	12	515	145	0	672	4	12	2	0	18	135	306	22	0	463	87	56	102	0	245	1398
% App. Total	1.8	76.6	21.6	0		22.2	66.7	11.1	0		29.2	66.1	4.8	0		35.5	22.9	41.6	0		
PHF	.600	.780	.659	.000	.816	.500	.750	.500	.000	.900	.767	.665	.550	.000	.685	.659	.519	.879	.000	.839	.880





# MINNESOTA DEPT OF TRANSPORTATION

## TRAFFIC DATA COLLECTION - METRO

TH-61 at CSAH-2 / Broadway Ave  
 Ref.Pt.: 160.951  
 ROUNDABOUT Video JI  
 TURN MOVEMENT COUNT

File Name : TH-61 at CSAH-2 roundabout 2013  
 Site Code :  
 Start Date : 4/8/2013  
 Page No : 3

Start Time	TH-61 Southbound					Broadway Ave E Westbound					TH-61 Northbound					CSAH 2 / Broadway Ave.W Eastbound					Int. Total
	Left	Thru	Right	Peds	App. Total	Left	Thru	Right	Peds	App. Total	Left	Thru	Right	Peds	App. Total	Left	Thru	Right	Peds	App. Total	

Peak Hour Analysis From 15:00 to 17:45 - Peak 1 of 1

Peak Hour for Entire Intersection Begins at 15:45

15:45	6	89	51	0	146	8	14	8	0	30	46	115	17	0	178	65	16	54	0	135	489
16:00	4	84	46	0	134	3	21	14	0	38	45	121	9	0	175	77	17	54	0	148	495
16:15	3	91	40	0	134	7	14	8	0	29	41	138	13	0	192	70	18	54	0	142	497
16:30	8	97	47	0	152	5	12	13	0	30	37	139	11	0	187	79	15	52	0	146	515
Total Volume	21	361	184	0	566	23	61	43	0	127	169	513	50	0	732	291	66	214	0	571	1996
% App. Total	3.7	63.8	32.5	0		18.1	48	33.9	0		23.1	70.1	6.8	0		51	11.6	37.5	0		
PHF	.656	.930	.902	.000	.931	.719	.726	.768	.000	.836	.918	.923	.735	.000	.953	.921	.917	.991	.000	.965	.969

