

MN Dept of Transportation

TRAFFIC DATA COLLECTION - Metro

TH-61 at 11th Ave S FOREST LAKE
 Ref.Pt.: 160.195
 video RE
 TURN MOVEMENT COUNT

File Name : TH-61 at 11th Ave S FL 2016
 Site Code :
 Start Date : 1/5/2016
 Page No : 1

Groups Printed- Cars +

Start Time	TH-61 Southbound				11th Ave S Westbound				TH-61 Northbound				11th Ave S Eastbound				Int. Total
	Left	Thru	Right	Peds	Left	Thru	Right	Peds	Left	Thru	Right	Peds	Left	Thru	Right	Peds	
06:00	5	31	1	0	8	7	4	0	9	15	3	0	1	2	14	0	100
06:15	2	65	5	0	11	3	2	0	16	27	1	0	2	0	22	0	156
06:30	0	57	6	0	6	7	3	0	18	35	3	0	1	8	24	0	168
06:45	7	66	2	0	7	16	5	0	26	44	8	0	3	2	30	0	216
Total	14	219	14	0	32	33	14	0	69	121	15	0	7	12	90	0	640
07:00	10	86	8	0	15	13	5	0	38	41	10	0	1	12	45	0	284
07:15	30	141	9	0	15	14	10	0	70	48	23	0	1	22	70	0	453
07:30	47	103	4	0	41	47	15	0	57	72	52	0	2	64	111	0	615
07:45	53	118	3	0	42	54	37	0	68	103	34	0	4	35	70	0	621
Total	140	448	24	0	113	128	67	0	233	264	119	0	8	133	296	0	1973
08:00	7	68	4	0	17	35	28	0	42	59	15	0	3	11	37	0	326
08:15	18	53	9	0	12	22	7	0	26	57	7	0	3	10	28	0	252
08:30	6	63	4	0	8	11	16	0	33	68	7	0	5	10	36	0	267
08:45	5	65	6	0	9	11	12	0	68	89	10	0	3	10	34	0	322
Total	36	249	23	0	46	79	63	0	169	273	39	0	14	41	135	0	1167
*****BREAK*****																	
15:00	9	78	9	0	17	25	15	0	76	131	14	0	6	13	88	0	481
15:15	11	114	14	1	8	27	14	0	72	129	9	0	12	22	75	0	508
15:30	9	132	8	0	14	19	10	1	89	129	20	0	7	29	90	0	557
15:45	11	128	4	0	13	11	16	0	74	130	15	0	8	32	89	0	531
Total	40	452	35	1	52	82	55	1	311	519	58	0	33	96	342	0	2077
16:00	15	114	9	0	12	32	11	0	70	152	26	0	4	22	83	0	550
16:15	17	129	11	0	15	24	15	0	83	195	26	0	12	26	70	0	623
16:30	23	113	11	0	15	30	12	0	72	150	27	0	5	26	98	0	582
16:45	9	163	8	1	14	29	18	0	98	161	21	0	9	28	113	0	672
Total	64	519	39	1	56	115	56	0	323	658	100	0	30	102	364	0	2427
17:00	18	143	12	0	15	33	14	0	76	147	28	0	7	36	87	0	616
17:15	10	158	8	0	13	23	12	0	72	190	21	0	5	22	83	0	617
17:30	9	89	8	0	10	19	13	0	74	118	24	0	8	22	84	0	478
17:45	10	89	9	0	8	18	7	0	85	162	26	0	5	28	65	0	512
Total	47	479	37	0	46	93	46	0	307	617	99	0	25	108	319	0	2223
Grand Total	341	2366	172	2	345	530	301	1	1412	2452	430	0	117	492	1546	0	10507
Apprch %	11.8	82.1	6	0.1	29.3	45	25.6	0.1	32.9	57.1	10	0	5.4	22.8	71.7	0	
Total %	3.2	22.5	1.6	0	3.3	5	2.9	0	13.4	23.3	4.1	0	1.1	4.7	14.7	0	

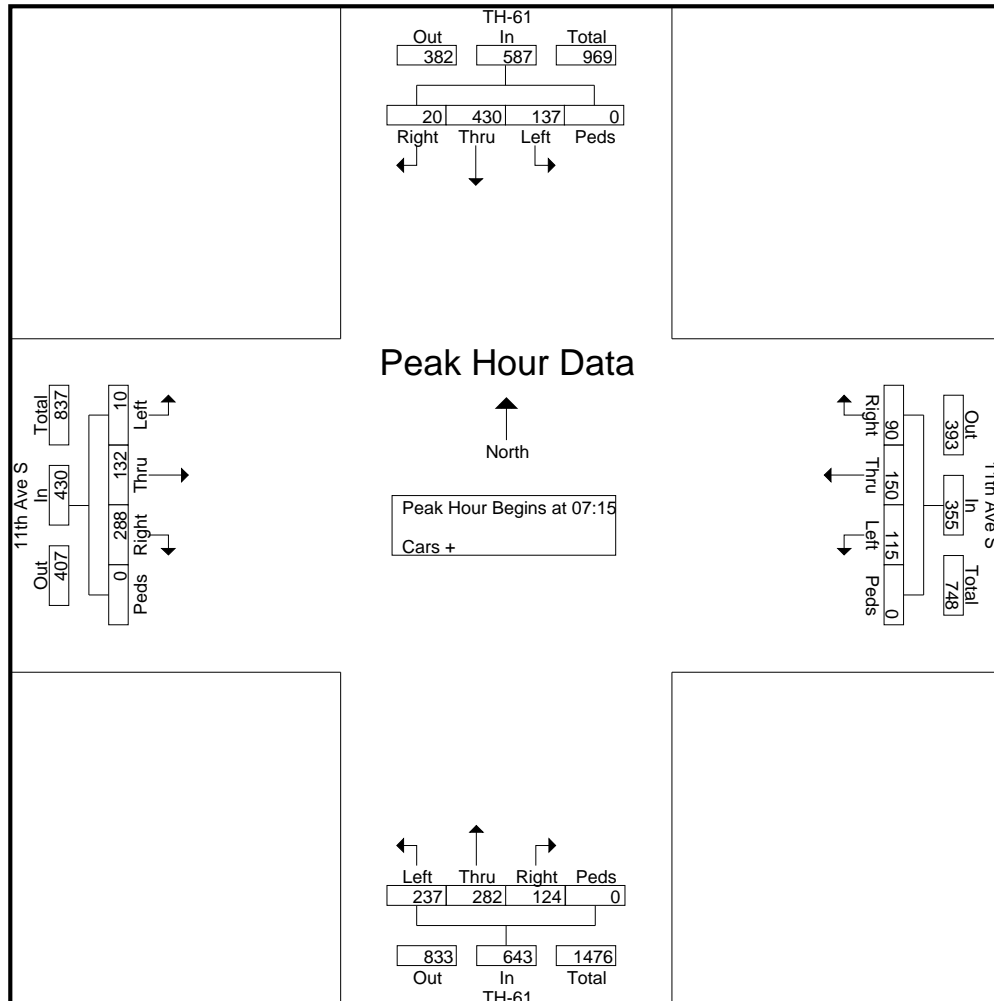
MN Dept of Transportation

TRAFFIC DATA COLLECTION - Metro

TH-61 at 11th Ave S FOREST LAKE
 Ref.Pt.: 160.195
 video RE
 TURN MOVEMENT COUNT

File Name : TH-61 at 11th Ave S FL 2016
 Site Code :
 Start Date : 1/5/2016
 Page No : 2

Start Time	TH-61 Southbound					11th Ave S Westbound					TH-61 Northbound					11th Ave S Eastbound					Int. Total
	Left	Thru	Right	Peds	App. Total	Left	Thru	Right	Peds	App. Total	Left	Thru	Right	Peds	App. Total	Left	Thru	Right	Peds	App. Total	
Peak Hour Analysis From 06:00 to 11:45 - Peak 1 of 1																					
Peak Hour for Entire Intersection Begins at 07:15																					
07:15	30	141	9	0	180	15	14	10	0	39	70	48	23	0	141	1	22	70	0	93	453
07:30	47	103	4	0	154	41	47	15	0	103	57	72	52	0	181	2	64	111	0	177	615
07:45	53	118	3	0	174	42	54	37	0	133	68	103	34	0	205	4	35	70	0	109	621
08:00	7	68	4	0	79	17	35	28	0	80	42	59	15	0	116	3	11	37	0	51	326
Total Volume	137	430	20	0	587	115	150	90	0	355	237	282	124	0	643	10	132	288	0	430	2015
% App. Total	23.3	73.3	3.4	0		32.4	42.3	25.4	0		36.9	43.9	19.3	0		2.3	30.7	67	0		
PHF	.646	.762	.556	.000	.815	.685	.694	.608	.000	.667	.846	.684	.596	.000	.784	.625	.516	.649	.000	.607	.811



MN Dept of Transportation

TRAFFIC DATA COLLECTION - Metro

TH-61 at 11th Ave S FOREST LAKE
 Ref.Pt.: 160.195
 video RE
 TURN MOVEMENT COUNT

File Name : TH-61 at 11th Ave S FL 2016
 Site Code :
 Start Date : 1/5/2016
 Page No : 3

Start Time	TH-61 Southbound					11th Ave S Westbound					TH-61 Northbound					11th Ave S Eastbound					Int. Total
	Left	Thru	Right	Peds	App. Total	Left	Thru	Right	Peds	App. Total	Left	Thru	Right	Peds	App. Total	Left	Thru	Right	Peds	App. Total	
Peak Hour Analysis From 12:00 to 17:45 - Peak 1 of 1																					
Peak Hour for Entire Intersection Begins at 16:15																					
16:15	17	129	11	0	157	15	24	15	0	54	83	195	26	0	304	12	26	70	0	108	623
16:30	23	113	11	0	147	15	30	12	0	57	72	150	27	0	249	5	26	98	0	129	582
16:45	9	163	8	1	181	14	29	18	0	61	98	161	21	0	280	9	28	113	0	150	672
17:00	18	143	12	0	173	15	33	14	0	62	76	147	28	0	251	7	36	87	0	130	616
Total Volume	67	548	42	1	658	59	116	59	0	234	329	653	102	0	1084	33	116	368	0	517	2493
% App. Total	10.2	83.3	6.4	0.2		25.2	49.6	25.2	0		30.4	60.2	9.4	0		6.4	22.4	71.2	0		
PHF	.728	.840	.875	.250	.909	.983	.879	.819	.000	.944	.839	.837	.911	.000	.891	.688	.806	.814	.000	.862	.927

