



MINNESOTA DEPT OF TRANSPORTATION

TRAFFIC DATA COLLECTION - METRO

TH-61 at Co.Rd. B (Maplewood)
 Ref.Pt.: 141.349
 Data by : Alliant Inc.
 TURN MOVEMENT COUNT

File Name : TH-61 at CoRd B 2008
 Site Code : 00000102
 Start Date : 9/18/2008
 Page No : 1

Groups Printed- Unshifted

Start Time	TH-61 Southbound				Co.Rd. B Westbound				TH-61 Northbound				Co.Rd. B Eastbound				Int. Total
	Left	Thru	Right	Peds	Left	Thru	Right	Peds	Left	Thru	Right	Peds	Left	Thru	Right	Peds	
06:00	4	60	1	0	8	0	22	0	0	35	1	0	0	0	0	0	131
06:15	11	122	0	0	24	0	30	0	0	76	6	0	1	0	0	0	270
06:30	23	233	0	0	28	0	57	0	3	72	6	0	1	0	0	0	423
06:45	27	339	1	0	35	0	45	0	2	100	6	0	1	0	0	0	556
Total	65	754	2	0	95	0	154	0	5	283	19	0	3	0	0	0	1380
07:00	19	370	0	0	51	0	40	0	1	100	9	0	0	0	0	0	590
07:15	35	447	0	0	60	0	45	0	14	122	11	0	0	0	0	0	734
07:30	30	550	1	0	64	0	69	0	1	130	15	0	0	0	0	0	860
07:45	32	509	1	0	59	0	44	0	8	132	15	0	0	1	1	0	802
Total	116	1876	2	0	234	0	198	0	24	484	50	0	0	1	1	0	2986
08:00	34	425	0	0	38	0	39	0	2	120	36	0	0	0	0	0	694
08:15	45	335	2	0	43	0	28	0	0	102	19	0	1	0	0	0	575
08:30	28	303	0	0	44	0	53	0	0	113	18	1	0	0	1	0	561
08:45	42	265	1	0	34	0	28	0	0	121	34	0	1	0	0	0	526
Total	149	1328	3	0	159	0	148	0	2	456	107	1	2	0	1	0	2356
09:00	47	162	0	0	41	0	41	0	5	93	29	0	0	0	1	0	419
09:15	48	155	0	0	39	0	46	0	2	94	25	0	0	0	0	0	409
*** BREAK ***																	
Total	95	317	0	0	80	0	87	0	7	187	54	0	0	0	1	0	828
*** BREAK ***																	
10:30	38	92	1	0	29	0	31	0	3	99	33	0	3	0	0	0	329
10:45	29	129	3	0	23	0	46	0	1	101	34	0	0	1	0	0	367
Total	67	221	4	0	52	0	77	0	4	200	67	0	3	1	0	0	696
11:00	29	127	0	0	25	1	40	0	1	59	23	1	2	0	0	0	308
11:15	43	108	0	0	29	1	43	0	1	125	37	0	0	9	0	0	396
11:30	41	107	1	0	29	0	42	0	8	93	25	0	0	0	4	0	350
11:45	46	109	1	0	34	0	59	0	2	113	26	0	0	0	0	0	390
Total	159	451	2	0	117	2	184	0	12	390	111	1	2	9	4	0	1444
12:00	42	119	1	0	31	1	49	0	5	127	41	0	0	0	0	0	416
12:15	53	128	1	0	22	0	46	0	3	112	39	0	1	0	1	0	406
12:30	53	146	1	0	35	1	41	0	1	131	29	0	1	0	0	0	439
12:45	56	120	2	0	45	0	47	0	0	115	45	0	0	0	0	0	430
Total	204	513	5	0	133	2	183	0	9	485	154	0	2	0	1	0	1691
13:00	44	116	1	0	32	2	46	0	3	120	28	0	0	0	1	0	393
13:15	50	129	3	0	0	1	0	0	0	0	1	0	2	1	2	0	189
*** BREAK ***																	
Total	94	245	4	0	32	3	46	0	3	120	29	0	2	1	3	0	582
*** BREAK ***																	
14:30	49	111	0	0	30	0	52	0	2	190	23	0	1	0	0	0	458
14:45	52	168	1	0	30	0	55	0	0	181	36	0	0	0	0	0	523
Total	101	279	1	0	60	0	107	0	2	371	59	0	1	0	0	0	981
15:00	45	151	0	0	40	0	59	0	0	179	40	0	0	0	0	0	514
15:15	48	156	2	0	24	0	54	1	2	248	51	0	1	0	0	0	587
15:30	62	176	0	0	31	0	57	0	3	226	51	0	2	1	0	0	609
15:45	71	189	0	0	32	0	64	0	0	313	61	0	0	0	0	0	730
Total	226	672	2	0	127	0	234	1	5	966	203	0	3	1	0	0	2440



MINNESOTA DEPT OF TRANSPORTATION

TRAFFIC DATA COLLECTION - METRO

TH-61 at Co.Rd. B (Maplewood)

Ref.Pt.: 141.349

Data by : Alliant Inc.

TURN MOVEMENT COUNT

File Name : TH-61 at CoRd B 2008

Site Code : 00000102

Start Date : 9/18/2008

Page No : 2

Groups Printed- Unshifted

Start Time	TH-61 Southbound				Co.Rd. B Westbound				TH-61 Northbound				Co.Rd. B Eastbound				Int. Total
	Left	Thru	Right	Peds	Left	Thru	Right	Peds	Left	Thru	Right	Peds	Left	Thru	Right	Peds	
16:00	59	192	0	0	38	0	70	0	0	294	53	1	0	0	1	0	708
16:15	56	206	1	0	22	0	55	0	0	337	55	0	1	1	0	0	734
16:30	65	203	9	0	54	0	62	0	1	371	58	1	0	0	1	0	825
16:45	55	216	1	0	46	0	59	0	0	398	64	0	1	0	0	0	840
Total	235	817	11	0	160	0	246	0	1	1400	230	2	2	1	2	0	3107
17:00	43	212	0	0	34	0	44	0	2	415	58	0	0	0	0	0	808
17:15	54	237	2	0	34	0	51	0	1	385	68	0	0	0	0	0	832
17:30	60	240	4	0	44	0	68	0	3	360	47	0	0	0	0	0	826
17:45	68	217	1	0	16	0	69	0	2	303	63	0	0	0	0	0	739
Total	225	906	7	0	128	0	232	0	8	1463	236	0	0	0	0	0	3205
Grand Total	1736	8379	43	0	1377	7	1896	1	82	6805	1319	4	20	14	13	0	21696
Apprch %	17.1	82.5	0.4	0	42	0.2	57.8	0	1	82.9	16.1	0	42.6	29.8	27.7	0	
Total %	8	38.6	0.2	0	6.3	0	8.7	0	0.4	31.4	6.1	0	0.1	0.1	0.1	0	



MINNESOTA DEPT OF TRANSPORTATION

TRAFFIC DATA COLLECTION - METRO

TH-61 at Co.Rd. B (Maplewood)

Ref.Pt.: 141.349

Data by : Alliant Inc.

TURN MOVEMENT COUNT

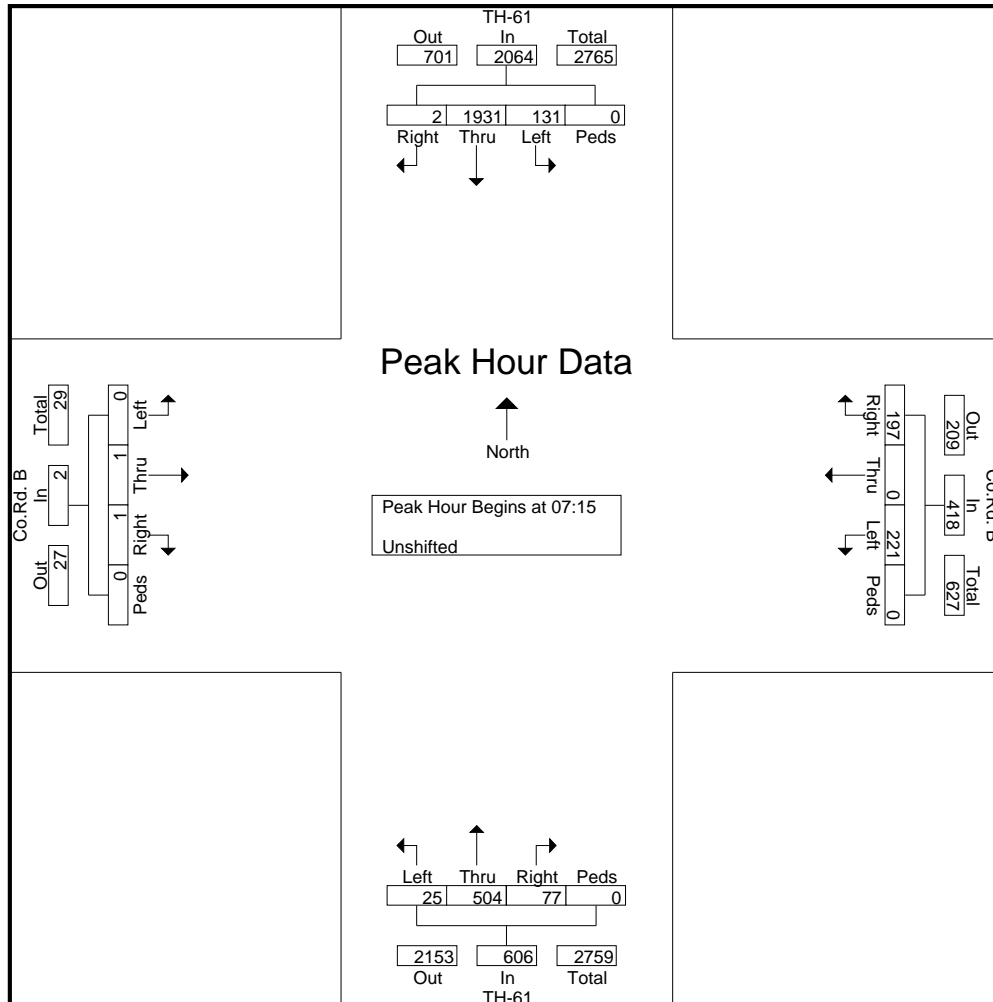
File Name : TH-61 at CoRd B 2008

Site Code : 00000102

Start Date : 9/18/2008

Page No : 3

Start Time	TH-61 Southbound					Co.Rd. B Westbound					TH-61 Northbound					Co.Rd. B Eastbound					Int. Total
	Left	Thru	Right	Peds	App. Total	Left	Thru	Right	Peds	App. Total	Left	Thru	Right	Peds	App. Total	Left	Thru	Right	Peds	App. Total	
Peak Hour Analysis From 06:00 to 09:15 - Peak 1 of 1																					
Peak Hour for Entire Intersection Begins at 07:15																					
07:15	35	447	0	0	482	60	0	45	0	105	14	122	11	0	147	0	0	0	0	0	734
07:30	30	550	1	0	581	64	0	69	0	133	1	130	15	0	146	0	0	0	0	0	860
07:45	32	509	1	0	542	59	0	44	0	103	8	132	15	0	155	0	1	1	0	2	802
08:00	34	425	0	0	459	38	0	39	0	77	2	120	36	0	158	0	0	0	0	0	694
Total Volume	131	1931	2	0	2064	221	0	197	0	418	25	504	77	0	606	0	1	1	0	2	3090
% App. Total	6.3	93.6	0.1	0		52.9	0	47.1	0		4.1	83.2	12.7	0		0	50	50	0		
PHF	.936	.878	.500	.000	.888	.863	.000	.714	.000	.786	.446	.955	.535	.000	.959	.000	.250	.250	.000	.250	.898





MINNESOTA DEPT OF TRANSPORTATION

TRAFFIC DATA COLLECTION - METRO

TH-61 at Co.Rd. B (Maplewood)
 Ref.Pt.: 141.349
 Data by : Alliant Inc.
TURN MOVEMENT COUNT

File Name : TH-61 at CoRd B 2008
 Site Code : 00000102
 Start Date : 9/18/2008
 Page No : 4

Start Time	TH-61 Southbound					Co.Rd. B Westbound					TH-61 Northbound					Co.Rd. B Eastbound					Int. Total
	Left	Thru	Right	Peds	App. Total	Left	Thru	Right	Peds	App. Total	Left	Thru	Right	Peds	App. Total	Left	Thru	Right	Peds	App. Total	
Peak Hour Analysis From 14:30 to 17:45 - Peak 1 of 1																					
Peak Hour for Entire Intersection Begins at 16:45																					
16:45	55	216	1	0	272	46	0	59	0	105	0	398	64	0	462	1	0	0	0	1	840
17:00	43	212	0	0	255	34	0	44	0	78	2	415	58	0	475	0	0	0	0	0	808
17:15	54	237	2	0	293	34	0	51	0	85	1	385	68	0	454	0	0	0	0	0	832
17:30	60	240	4	0	304	44	0	68	0	112	3	360	47	0	410	0	0	0	0	0	826
Total Volume	212	905	7	0	1124	158	0	222	0	380	6	1558	237	0	1801	1	0	0	0	1	3306
% App. Total	18.9	80.5	0.6	0		41.6	0	58.4	0		0.3	86.5	13.2	0		100	0	0	0		
PHF	.883	.943	.438	.000	.924	.859	.000	.816	.000	.848	.500	.939	.871	.000	.948	.250	.000	.000	.000	.250	.984

