



MINNESOTA DEPT OF TRANSPORTATION

TRAFFIC DATA COLLECTION - METRO

2nd St W at Great River Rd W, Hastings

Ref.Pt.:

JAMAR # 632 DR
TURN MOVEMENT COUNT

File Name : 2nd St W at Great River Rd W 2008

Site Code : 00000000

Start Date : 4/23/2008

Page No : 1

Groups Printed- Cars & Trucks

Start Time	2nd St W Westbound				GREAT RIVER RD W Northbound				2nd St W Eastbound				Int. Total
	Left	Thru	Right	Peds	Left	Thru	Right	Peds	Left	Thru	Right	Peds	
06:00	1	13	0	0	24	0	4	0	0	25	1	0	68
06:15	5	13	0	0	35	0	3	0	0	29	1	0	86
06:30	5	26	0	0	26	0	3	0	0	55	1	0	116
06:45	1	32	0	0	52	0	6	0	0	36	3	0	130
Total	12	84	0	0	137	0	16	0	0	145	6	0	400
07:00	2	26	0	0	26	0	7	0	0	37	3	0	101
07:15	1	30	0	0	63	0	6	0	0	51	2	0	153
07:30	5	54	0	0	54	0	8	0	0	65	0	0	186
07:45	4	24	0	0	36	0	8	0	0	45	5	0	122
Total	12	134	0	0	179	0	29	0	0	198	10	0	562
08:00	5	20	0	0	35	0	7	0	0	46	4	0	117
08:15	5	17	0	0	30	0	15	0	0	42	5	0	114
08:30	5	38	0	0	25	0	16	0	0	44	3	0	131
08:45	5	38	0	0	30	0	4	0	0	53	1	0	131
Total	20	113	0	0	120	0	42	0	0	185	13	0	493
*** BREAK ***													
15:00	7	36	0	0	13	0	18	0	0	71	9	0	154
15:15	5	43	0	0	15	0	18	0	0	96	6	0	183
15:30	8	50	0	0	23	0	12	0	0	76	11	0	180
15:45	9	42	0	0	25	0	14	0	0	73	6	0	169
Total	29	171	0	0	76	0	62	0	0	316	32	0	686
16:00	11	34	0	0	27	0	20	0	0	71	7	0	170
16:15	8	44	0	0	20	0	9	0	0	67	7	0	155
16:30	7	40	0	0	24	0	24	0	0	90	9	0	194
16:45	12	41	0	0	21	0	16	0	0	91	13	0	194
Total	38	159	0	0	92	0	69	0	0	319	36	0	713
17:00	12	50	0	0	23	0	7	0	0	94	10	0	196
17:15	13	45	0	0	17	0	12	0	0	80	9	0	176
17:30	5	28	0	0	25	0	7	0	0	71	10	0	146
17:45	3	31	0	0	19	0	12	0	0	120	8	0	193
Total	33	154	0	0	84	0	38	0	0	365	37	0	711
Grand Total	144	815	0	0	688	0	256	0	0	1528	134	0	3565
Apprch %	15	85	0	0	72.9	0	27.1	0	0	91.9	8.1	0	
Total %	4	22.9	0	0	19.3	0	7.2	0	0	42.9	3.8	0	



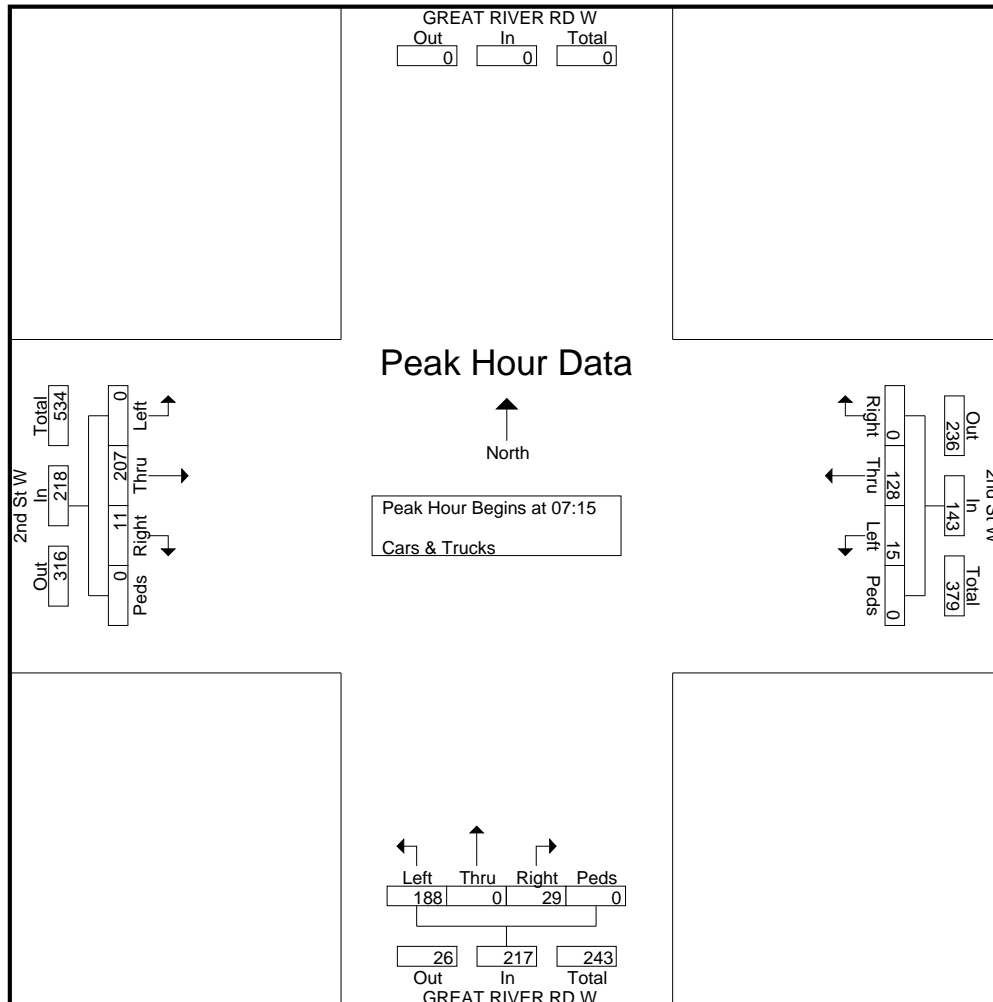
MINNESOTA DEPT OF TRANSPORTATION

TRAFFIC DATA COLLECTION - METRO

2nd St W at Great River Rd W, Hastings
 Ref.Pt.:
 JAMAR # 632 DR
 TURN MOVEMENT COUNT

File Name : 2nd St W at Great River Rd W 2008
 Site Code : 00000000
 Start Date : 4/23/2008
 Page No : 2

Start Time	2nd St W Westbound					GREAT RIVER RD W Northbound					2nd St W Eastbound					Int. Total
	Left	Thru	Right	Peds	App. Total	Left	Thru	Right	Peds	App. Total	Left	Thru	Right	Peds	App. Total	
Peak Hour Analysis From 06:00 to 08:45 - Peak 1 of 1																
Peak Hour for Entire Intersection Begins at 07:15																
07:15	1	30	0	0	31	63	0	6	0	69	0	51	2	0	53	153
07:30	5	54	0	0	59	54	0	8	0	62	0	65	0	0	65	186
07:45	4	24	0	0	28	36	0	8	0	44	0	45	5	0	50	122
08:00	5	20	0	0	25	35	0	7	0	42	0	46	4	0	50	117
Total Volume	15	128	0	0	143	188	0	29	0	217	0	207	11	0	218	578
% App. Total	10.5	89.5	0	0		86.6	0	13.4	0		0	95	5	0		
PHF	.750	.593	.000	.000	.606	.746	.000	.906	.000	.786	.000	.796	.550	.000	.838	.777





MINNESOTA DEPT OF TRANSPORTATION

TRAFFIC DATA COLLECTION - METRO

2nd St W at Great River Rd W, Hastings
 Ref.Pt.:
 JAMAR # 632 DR
 TURN MOVEMENT COUNT

File Name : 2nd St W at Great River Rd W 2008
 Site Code : 00000000
 Start Date : 4/23/2008
 Page No : 3

Start Time	2nd St W Westbound					GREAT RIVER RD W Northbound					2nd St W Eastbound					Int. Total
	Left	Thru	Right	Peds	App. Total	Left	Thru	Right	Peds	App. Total	Left	Thru	Right	Peds	App. Total	
Peak Hour Analysis From 15:00 to 17:45 - Peak 1 of 1																
Peak Hour for Entire Intersection Begins at 16:30																
16:30	7	40	0	0	47	24	0	24	0	48	0	90	9	0	99	194
16:45	12	41	0	0	53	21	0	16	0	37	0	91	13	0	104	194
17:00	12	50	0	0	62	23	0	7	0	30	0	94	10	0	104	196
17:15	13	45	0	0	58	17	0	12	0	29	0	80	9	0	89	176
Total Volume	44	176	0	0	220	85	0	59	0	144	0	355	41	0	396	760
% App. Total	20	80	0	0		59	0	41	0		0	89.6	10.4	0		
PHF	.846	.880	.000	.000	.887	.885	.000	.615	.000	.750	.000	.944	.788	.000	.952	.969

