



MINNESOTA DEPT OF TRANSPORTATION

TRAFFIC DATA COLLECTION - METRO

4th St W at Eddy St., HASTINGS

Ref.Pt.:

JAMAR # 633 CH

TURN MOVEMENT COUNT

File Name : 4th St W at Eddy St HASTINGS 2008

Site Code : 00000000

Start Date : 4/30/2008

Page No : 1

Groups Printed- Cars & Trucks

Start Time	EDDY ST Southbound				4TH ST W Westbound				EDDY ST Northbound				4TH ST W Eastbound				Int. Total
	Left	Thru	Right	Peds	Left	Thru	Right	Peds	Left	Thru	Right	Peds	Left	Thru	Right	Peds	
06:00	0	0	0	0	0	7	0	0	0	1	0	0	0	14	0	0	22
06:15	0	1	0	0	1	5	0	0	0	2	1	0	1	7	0	0	18
06:30	2	0	0	0	0	9	0	0	0	2	0	0	0	20	1	0	34
06:45	0	0	1	0	0	17	1	0	0	1	1	0	1	13	1	0	36
Total	2	1	1	0	1	38	1	0	0	6	2	0	2	54	2	0	110
07:00	1	2	2	0	3	11	1	0	0	3	3	0	0	31	1	0	58
07:15	3	1	1	0	1	27	0	0	0	4	1	0	2	28	0	0	68
07:30	0	2	1	0	2	27	3	0	1	0	6	0	1	25	0	0	68
07:45	3	1	0	0	4	27	2	0	0	3	3	0	3	27	2	0	75
Total	7	6	4	0	10	92	6	0	1	10	13	0	6	111	3	0	269
08:00	1	0	0	0	4	10	1	0	1	3	2	0	0	12	1	0	35
08:15	1	1	2	0	2	14	1	0	0	3	4	0	1	23	2	0	54
08:30	5	3	2	0	2	19	4	0	4	6	1	0	3	19	6	0	74
08:45	0	5	1	0	4	26	3	0	3	7	1	0	1	20	2	0	73
Total	7	9	5	0	12	69	9	0	8	19	8	0	5	74	11	0	236
*** BREAK ***																	
15:00	1	4	1	0	6	15	2	0	1	5	4	0	0	19	3	0	61
15:15	1	5	0	0	4	25	3	0	1	4	2	0	4	26	3	0	78
15:30	8	10	0	0	3	27	3	0	0	2	3	0	1	26	4	0	87
15:45	6	6	2	0	6	19	5	0	0	1	4	0	2	28	2	0	81
Total	16	25	3	0	19	86	13	0	2	12	13	0	7	99	12	0	307
16:00	5	5	0	0	6	18	4	0	1	2	2	0	3	19	3	0	68
16:15	4	7	1	0	10	26	1	0	0	2	1	0	2	23	2	0	79
16:30	2	5	1	0	3	34	1	0	2	5	8	0	1	34	4	0	100
16:45	2	5	2	0	6	23	7	0	1	7	2	0	2	49	3	0	109
Total	13	22	4	0	25	101	13	0	4	16	13	0	8	125	12	0	356
17:00	2	1	3	0	5	26	0	0	1	5	7	0	1	23	4	0	78
17:15	7	4	1	0	6	25	2	0	4	2	3	0	1	21	3	0	79
17:30	3	3	5	0	4	30	4	0	2	5	2	0	1	24	4	0	87
17:45	3	6	2	0	6	26	3	0	2	4	1	0	0	30	1	0	84
Total	15	14	11	0	21	107	9	0	9	16	13	0	3	98	12	0	328
Grand Total	60	77	28	0	88	493	51	0	24	79	62	0	31	561	52	0	1606
Apprch %	36.4	46.7	17	0	13.9	78	8.1	0	14.5	47.9	37.6	0	4.8	87.1	8.1	0	
Total %	3.7	4.8	1.7	0	5.5	30.7	3.2	0	1.5	4.9	3.9	0	1.9	34.9	3.2	0	



MINNESOTA DEPT OF TRANSPORTATION

TRAFFIC DATA COLLECTION - METRO

4th St W at Eddy St., HASTINGS

Ref.Pt.:

JAMAR # 633 CH

TURN MOVEMENT COUNT

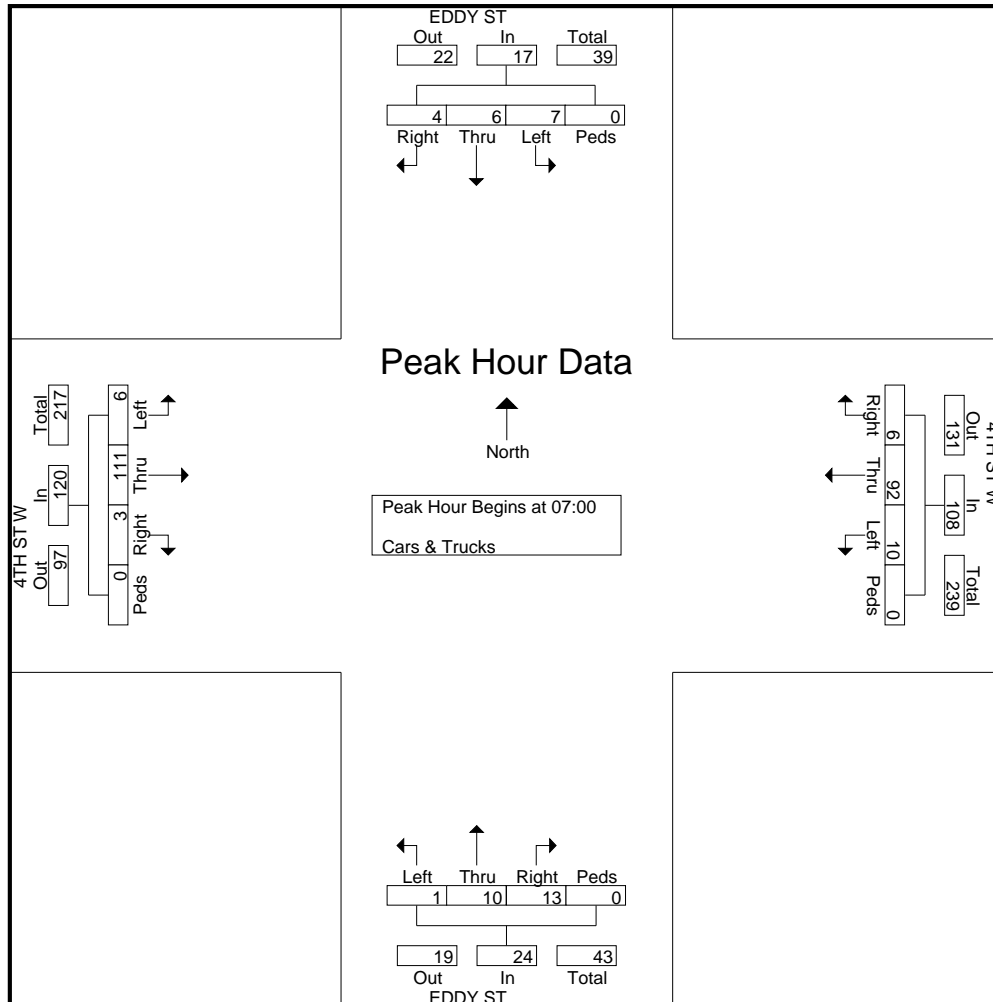
File Name : 4th St W at Eddy St HASTINGS 2008

Site Code : 00000000

Start Date : 4/30/2008

Page No : 2

Start Time	EDDY ST Southbound					4TH ST W Westbound					EDDY ST Northbound					4TH ST W Eastbound					Int. Total
	Left	Thru	Right	Peds	App. Total	Left	Thru	Right	Peds	App. Total	Left	Thru	Right	Peds	App. Total	Left	Thru	Right	Peds	App. Total	
Peak Hour Analysis From 06:00 to 08:45 - Peak 1 of 1																					
Peak Hour for Entire Intersection Begins at 07:00																					
07:00	1	2	2	0	5	3	11	1	0	15	0	3	3	0	6	0	31	1	0	32	58
07:15	3	1	1	0	5	1	27	0	0	28	0	4	1	0	5	2	28	0	0	30	68
07:30	0	2	1	0	3	2	27	3	0	32	1	0	6	0	7	1	25	0	0	26	68
07:45	3	1	0	0	4	4	27	2	0	33	0	3	3	0	6	3	27	2	0	32	75
Total Volume	7	6	4	0	17	10	92	6	0	108	1	10	13	0	24	6	111	3	0	120	269
% App. Total																					
PHF	.583	.750	.500	.000	.850	.625	.852	.500	.000	.818	.250	.625	.542	.000	.857	.500	.895	.375	.000	.938	.897





MINNESOTA DEPT OF TRANSPORTATION

TRAFFIC DATA COLLECTION - METRO

4th St W at Eddy St., HASTINGS

Ref.Pt.:

JAMAR # 633 CH

TURN MOVEMENT COUNT

File Name : 4th St W at Eddy St HASTINGS 2008

Site Code : 00000000

Start Date : 4/30/2008

Page No : 3

Start Time	EDDY ST Southbound					4TH ST W Westbound					EDDY ST Northbound					4TH ST W Eastbound					Int. Total
	Left	Thru	Right	Peds	App. Total	Left	Thru	Right	Peds	App. Total	Left	Thru	Right	Peds	App. Total	Left	Thru	Right	Peds	App. Total	
Peak Hour Analysis From 15:00 to 17:45 - Peak 1 of 1																					
Peak Hour for Entire Intersection Begins at 16:15																					
16:15	4	7	1	0	12	10	26	1	0	37	0	2	1	0	3	2	23	2	0	27	79
16:30	2	5	1	0	8	3	34	1	0	38	2	5	8	0	15	1	34	4	0	39	100
16:45	2	5	2	0	9	6	23	7	0	36	1	7	2	0	10	2	49	3	0	54	109
17:00	2	1	3	0	6	5	26	0	0	31	1	5	7	0	13	1	23	4	0	28	78
Total Volume	10	18	7	0	35	24	109	9	0	142	4	19	18	0	41	6	129	13	0	148	366
% App. Total																					
PHF	.625	.643	.583	.000	.729	.600	.801	.321	.000	.934	.500	.679	.563	.000	.683	.750	.658	.813	.000	.685	.839

