



MINNESOTA DEPT OF TRANSPORTATION

TRAFFIC DATA COLLECTION - METRO

Location: TH-52 AT CSAH-42 WEST RAMPS
 Ref.Pt.: 115+00.573
 JAMAR# 632 DR
 TURN MOVEMENT COUNT

File Name : th 52 at csah 42 west ramps 2007
 Site Code : 00000000
 Start Date : 11/8/2007
 Page No : 1

Groups Printed- Unshifted

Start Time	RAMP FROM TH-52 SB Southbound				CSAH-42 Westbound				RAMP TO TH-52 SB Northbound				CSAH-42 Eastbound				Int. Total
	Left	Thru	Right	Peds	Left	Thru	Right	Peds	Left	Thru	Right	Peds	Left	Thru	Right	Peds	
06:00	9	1	42	0	1	26	0	0	0	0	0	0	0	51	12	0	142
06:15	13	1	41	0	2	51	0	0	0	0	0	0	0	86	12	0	206
06:30	7	0	76	0	0	68	0	0	0	0	0	0	0	108	9	0	268
06:45	10	0	97	0	2	78	0	0	0	0	0	0	0	123	10	0	320
Total	39	2	256	0	5	223	0	0	0	0	0	0	0	368	43	0	936
07:00	7	0	64	0	3	55	0	0	0	0	0	0	0	136	11	0	276
07:15	4	0	41	0	1	64	0	0	0	0	0	0	0	187	13	0	310
07:30	2	0	73	0	0	71	0	0	0	0	0	0	0	167	21	0	334
07:45	4	1	83	0	1	75	0	0	0	0	0	0	0	149	21	0	334
Total	17	1	261	0	5	265	0	0	0	0	0	0	0	639	66	0	1254
08:00	7	0	55	0	1	72	0	0	0	0	0	0	0	110	18	0	263
08:15	8	0	49	0	1	40	0	0	0	0	0	0	0	107	15	0	220
08:30	7	0	36	0	4	52	0	0	0	0	0	0	0	85	17	0	201
08:45	7	0	36	0	5	53	0	0	0	0	0	0	0	77	9	0	187
Total	29	0	176	0	11	217	0	0	0	0	0	0	0	379	59	0	871
*** BREAK ***																	
15:00	8	1	53	0	2	43	0	0	0	0	0	0	0	82	20	0	209
15:15	7	0	47	0	3	46	0	0	0	0	0	0	0	72	20	0	195
15:30	6	0	74	0	6	49	0	0	0	0	0	0	0	109	24	0	268
15:45	5	0	91	0	2	57	0	0	0	0	0	0	0	108	20	0	283
Total	26	1	265	0	13	195	0	0	0	0	0	0	0	371	84	0	955
16:00	8	0	68	0	2	71	0	0	0	0	0	0	0	80	19	0	248
16:15	5	1	84	0	3	59	0	0	0	0	0	0	0	89	20	0	261
16:30	8	0	122	0	8	59	0	0	0	0	0	0	0	123	22	0	342
16:45	6	1	130	0	2	83	0	0	0	0	0	0	0	79	30	2	333
Total	27	2	404	0	15	272	0	0	0	0	0	0	0	371	91	2	1184
17:00	7	0	114	0	6	61	0	0	0	0	0	0	0	81	17	0	286
17:15	5	0	147	0	3	67	0	0	0	0	0	0	0	69	24	0	315
17:30	10	0	154	0	3	52	0	0	0	0	0	0	0	76	26	0	321
17:45	3	0	70	0	3	42	0	0	0	0	0	0	0	70	17	0	205
Total	25	0	485	0	15	222	0	0	0	0	0	0	0	296	84	0	1127
Grand Total	163	6	1847	0	64	1394	0	0	0	0	0	0	0	2424	427	2	6327
Apprch %	8.1	0.3	91.6	0	4.4	95.6	0	0	0	0	0	0	0	85	15	0.1	
Total %	2.6	0.1	29.2	0	1	22	0	0	0	0	0	0	0	38.3	6.7	0	



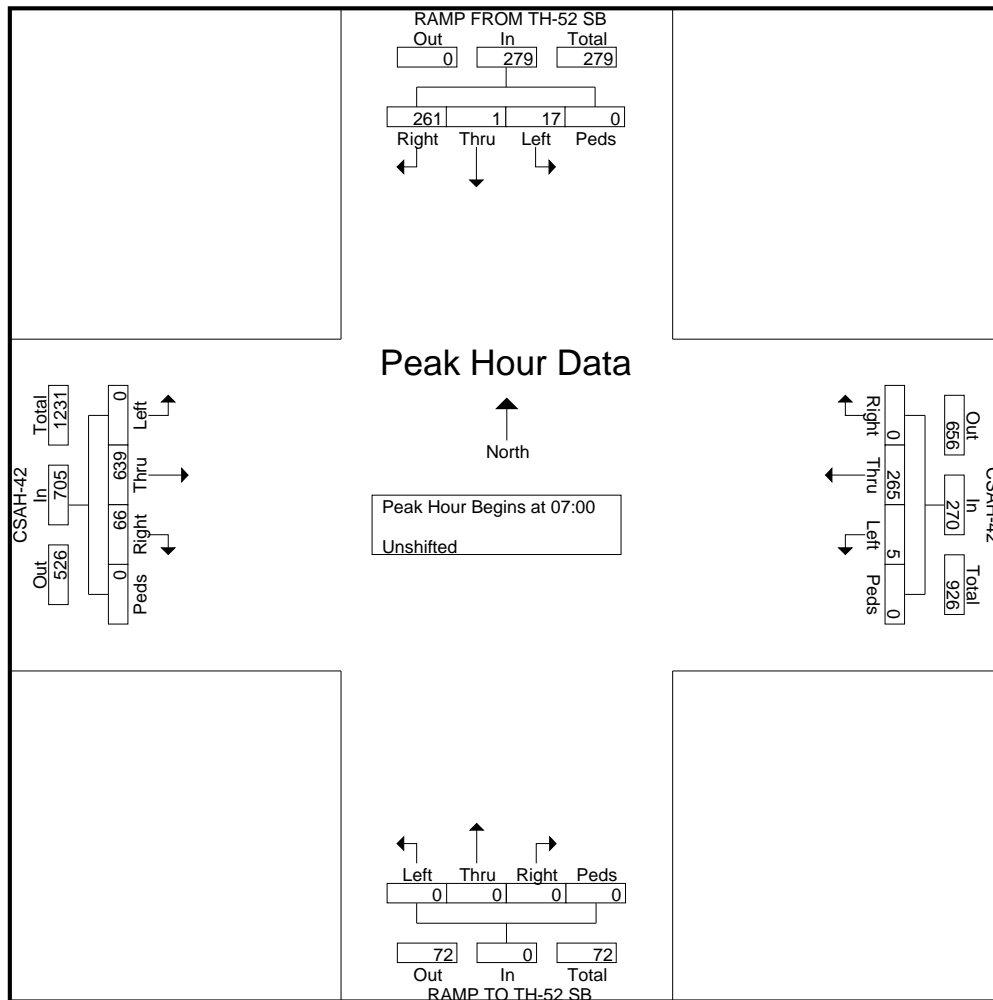
MINNESOTA DEPT OF TRANSPORTATION

TRAFFIC DATA COLLECTION - METRO

Location: TH-52 AT CSAH-42 WEST RAMPS
 Ref.Pt.: 115+00.573
 JAMAR# 632 DR
 TURN MOVEMENT COUNT

File Name : th 52 at csah 42 west ramps 2007
 Site Code : 00000000
 Start Date : 11/8/2007
 Page No : 2

Start Time	RAMP FROM TH-52 SB Southbound					CSAH-42 Westbound					RAMP TO TH-52 SB Northbound					CSAH-42 Eastbound					Int. Total
	Left	Thru	Right	Peds	App. Total	Left	Thru	Right	Peds	App. Total	Left	Thru	Right	Peds	App. Total	Left	Thru	Right	Peds	App. Total	
Peak Hour Analysis From 06:00 to 08:45 - Peak 1 of 1																					
Peak Hour for Entire Intersection Begins at 07:00																					
07:00	7	0	64	0	71	3	55	0	0	58	0	0	0	0	0	0	136	11	0	147	276
07:15	4	0	41	0	45	1	64	0	0	65	0	0	0	0	0	0	187	13	0	200	310
07:30	2	0	73	0	75	0	71	0	0	71	0	0	0	0	0	0	167	21	0	188	334
07:45	4	1	83	0	88	1	75	0	0	76	0	0	0	0	0	0	149	21	0	170	334
Total Volume	17	1	261	0	279	5	265	0	0	270	0	0	0	0	0	0	639	66	0	705	1254
% App. Total																					
PHF	.607	.250	.786	.000	.793	.417	.883	.000	.000	.888	.000	.000	.000	.000	.000	.000	.854	.786	.000	.881	.939





MINNESOTA DEPT OF TRANSPORTATION

TRAFFIC DATA COLLECTION - METRO

Location: TH-52 AT CSAH-42 WEST RAMPS

Ref.Pt.: 115+00.573

JAMAR# 632 DR

TURN MOVEMENT COUNT

File Name : th 52 at csah 42 west ramps 2007

Site Code : 00000000

Start Date : 11/8/2007

Page No : 3

Start Time	RAMP FROM TH-52 SB Southbound					CSAH-42 Westbound					RAMP TO TH-52 SB Northbound					CSAH-42 Eastbound					Int. Total
	Left	Thru	Right	Peds	App. Total	Left	Thru	Right	Peds	App. Total	Left	Thru	Right	Peds	App. Total	Left	Thru	Right	Peds	App. Total	
Peak Hour Analysis From 15:00 to 17:45 - Peak 1 of 1																					
Peak Hour for Entire Intersection Begins at 16:30																					
16:30	8	0	122	0	130	8	59	0	0	67	0	0	0	0	0	0	123	22	0	145	342
16:45	6	1	130	0	137	2	83	0	0	85	0	0	0	0	0	0	79	30	2	111	333
17:00	7	0	114	0	121	6	61	0	0	67	0	0	0	0	0	0	81	17	0	98	286
17:15	5	0	147	0	152	3	67	0	0	70	0	0	0	0	0	0	69	24	0	93	315
Total Volume	26	1	513	0	540	19	270	0	0	289	0	0	0	0	0	0	352	93	2	447	1276
% App. Total																					
PHF	.813	.250	.872	.000	.888	.594	.813	.000	.000	.850	.000	.000	.000	.000	.000	.000	.715	.775	.250	.771	.933

