

Associated Consulting Services (ACS)

Saint Paul, MN 55127

-- TRAFFIC DATA --

Location: TH-47 at 167th Ave NW

Ref. Pt: 025+00.778

Data Prepared By: ACS

TURNING MOVEMENT COUNT

File Name : TH-47 at 167th Ave NW_2018

Site Code :

Start Date : 5/15/2018

Page No : 1

Groups Printed- Cars - Trucks

Start Time	TH-47 Southbound				167th Ave NW Westbound				TH-47 Northbound				167th Ave NW Eastbound				Int. Total
	Left	Thru	Right	Peds	Left	Thru	Right	Peds	Left	Thru	Right	Peds	Left	Thru	Right	Peds	
06:00	0	62	2	0	1	0	0	0	10	23	1	0	2	0	8	0	109
06:15	3	45	6	0	0	0	0	0	4	33	3	0	4	0	2	0	100
06:30	0	45	8	0	0	0	1	0	9	24	2	0	8	0	11	0	108
06:45	0	58	3	0	0	0	0	0	9	23	9	0	11	1	7	0	121
Total	3	210	19	0	1	0	1	0	32	103	15	0	25	1	28	0	438
07:00	0	54	3	0	0	0	0	0	7	25	0	0	0	0	10	0	99
07:15	0	42	4	0	0	1	0	0	11	29	1	1	0	1	6	0	96
07:30	1	46	4	0	0	0	0	0	4	31	0	0	6	0	8	0	100
07:45	0	28	8	0	0	0	0	0	6	23	1	0	3	0	9	0	78
Total	1	170	19	0	0	1	0	0	28	108	2	1	9	1	33	0	373
08:00	0	35	8	0	0	1	0	0	8	30	0	0	2	1	10	0	95
08:15	1	38	5	0	0	1	0	0	15	23	0	0	2	0	4	0	89
08:30	0	27	3	0	0	0	0	0	5	30	0	0	5	1	10	0	81
08:45	1	28	6	0	0	0	0	0	8	38	2	0	1	0	8	0	92
Total	2	128	22	0	0	2	0	0	36	121	2	0	10	2	32	0	357
09:00	0	37	4	0	0	0	0	0	7	40	0	0	5	0	10	0	103
09:15	1	35	7	0	0	2	1	0	13	31	6	0	7	1	8	0	112
09:30	2	44	3	0	2	0	0	0	12	38	4	0	5	1	10	0	121
09:45	0	27	2	0	0	1	0	0	8	43	6	0	4	2	16	0	109
Total	3	143	16	0	2	3	1	0	40	152	16	0	21	4	44	0	445
10:00	1	35	1	0	2	2	0	0	15	46	4	0	6	0	9	0	121
10:15	1	47	6	0	9	3	1	0	12	37	2	0	6	0	5	0	129
10:30	0	41	6	0	15	4	3	0	7	36	0	0	2	0	12	0	126
10:45	0	44	0	0	10	0	2	0	8	34	6	0	4	0	3	0	111
Total	2	167	13	0	36	9	6	0	42	153	12	0	18	0	29	0	487
11:00	0	31	2	0	8	1	0	0	8	25	5	0	8	1	13	0	102
11:15	0	32	4	0	4	2	1	0	8	40	9	0	2	3	10	0	115
11:30	1	36	4	0	0	0	0	0	12	39	5	0	6	1	11	0	115
11:45	3	44	5	0	3	4	4	0	15	37	6	0	9	4	5	0	139
Total	4	143	15	0	15	7	5	0	43	141	25	0	25	9	39	0	471
12:00	2	50	6	0	4	1	1	0	14	60	2	0	5	2	6	0	153
12:15	1	42	4	0	1	2	2	0	18	46	4	0	9	1	6	0	136
12:30	0	34	7	0	3	0	1	0	17	73	1	0	4	1	11	0	152
12:45	1	44	2	0	3	0	0	0	17	56	1	0	7	0	13	0	144
Total	4	170	19	0	11	3	4	0	66	235	8	0	25	4	36	0	585
13:00	1	39	12	0	4	1	0	0	19	74	1	0	15	0	15	0	181
13:15	0	34	5	0	2	1	2	0	16	78	3	0	11	2	13	0	167
13:30	2	42	14	0	3	2	2	0	15	113	3	0	9	1	12	0	218
13:45	3	32	10	0	0	0	1	0	22	77	6	0	8	0	8	0	167
Total	6	147	41	0	9	4	5	0	72	342	13	0	43	3	48	0	733
14:00	3	46	8	0	0	1	1	0	26	99	5	0	10	0	12	0	211
14:15	0	51	10	0	2	0	2	0	31	61	15	0	17	3	15	0	207
14:30	1	55	11	0	4	3	3	0	19	98	15	0	15	6	20	0	250

Associated Consulting Services (ACS)

Saint Paul, MN 55127

-- TRAFFIC DATA --

Location: TH-47 at 167th Ave NW

Ref. Pt: 025+00.778

Data Prepared By: ACS

TURNING MOVEMENT COUNT

File Name : TH-47 at 167th Ave NW_2018

Site Code :

Start Date : 5/15/2018

Page No : 2

Groups Printed- Cars - Trucks

Start Time	TH-47 Southbound				167th Ave NW Westbound				TH-47 Northbound				167th Ave NW Eastbound				Int. Total
	Left	Thru	Right	Peds	Left	Thru	Right	Peds	Left	Thru	Right	Peds	Left	Thru	Right	Peds	
14:45	5	43	15	0	7	0	1	0	30	70	13	0	10	7	22	0	223
Total	9	195	44	0	13	4	7	0	106	328	48	0	52	16	69	0	891
15:00	3	44	12	0	4	1	5	0	22	99	13	0	12	4	11	0	230
15:15	0	66	7	0	3	1	3	0	20	57	3	0	9	1	16	0	186
15:30	1	39	14	0	1	2	0	0	44	58	4	0	6	1	15	0	185
15:45	4	29	11	0	1	1	0	0	36	64	1	0	9	1	12	1	170
Total	8	178	44	0	9	5	8	0	122	278	21	0	36	7	54	1	771
16:00	1	39	10	0	2	1	1	0	23	52	1	0	9	1	16	0	156
16:15	0	31	13	0	3	0	1	0	35	49	1	0	5	1	11	0	150
16:30	0	41	12	0	1	2	3	0	61	53	1	0	8	1	15	0	198
16:45	4	24	4	0	8	2	3	0	25	60	4	0	6	0	16	0	156
Total	5	135	39	0	14	5	8	0	144	214	7	0	28	3	58	0	660
17:00	0	26	6	0	3	2	0	0	19	48	1	0	7	2	41	1	156
17:15	3	31	4	0	1	0	1	0	23	44	3	0	9	0	18	0	137
17:30	0	40	5	0	13	2	2	0	13	39	1	0	4	0	9	0	128
17:45	1	20	8	0	12	2	1	0	12	31	2	0	8	0	20	0	117
Total	4	117	23	0	29	6	4	0	67	162	7	0	28	2	88	1	538
Grand Total	51	1903	314	0	139	49	49	0	798	2337	176	1	320	52	558	2	6749
Apprch %	2.2	83.9	13.8	0	58.6	20.7	20.7	0	24.1	70.6	5.3	0	34.3	5.6	59.9	0.2	
Total %	0.8	28.2	4.7	0	2.1	0.7	0.7	0	11.8	34.6	2.6	0	4.7	0.8	8.3	0	
Cars	50	1809	295	0	139	46	48	0	783	2239	175	1	310	50	544	2	6491
% Cars	98	95.1	93.9	0	100	93.9	98	0	98.1	95.8	99.4	100	96.9	96.2	97.5	100	96.2
Trucks	1	94	19	0	0	3	1	0	15	98	1	0	10	2	14	0	258
% Trucks	2	4.9	6.1	0	0	6.1	2	0	1.9	4.2	0.6	0	3.1	3.8	2.5	0	3.8

Associated Consulting Services (ACS)

Saint Paul, MN 55127

-- TRAFFIC DATA --

Location: TH-47 at 167th Ave NW

Ref. Pt: 025+00.778

Data Prepared By: ACS

TURNING MOVEMENT COUNT

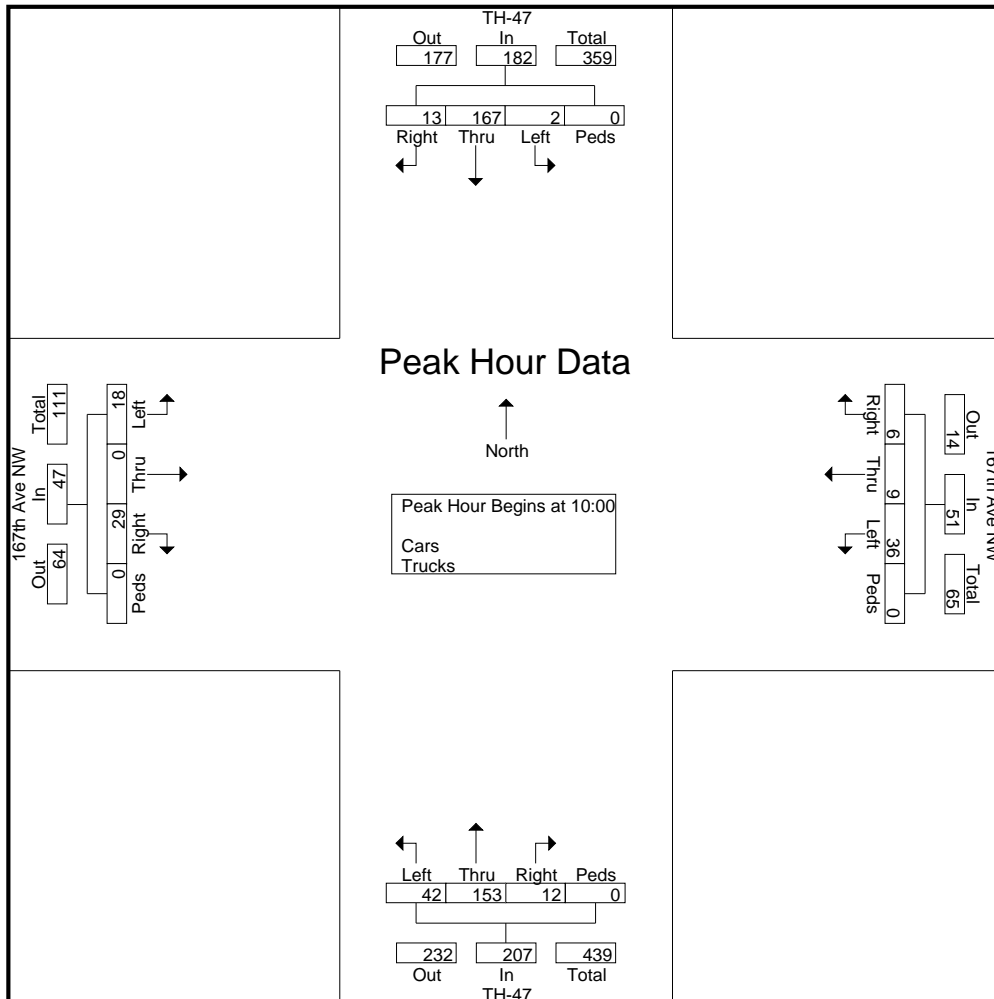
File Name : TH-47 at 167th Ave NW_2018

Site Code :

Start Date : 5/15/2018

Page No : 3

Start Time	TH-47 Southbound					167th Ave NW Westbound					TH-47 Northbound					167th Ave NW Eastbound					Int. Total
	Left	Thru	Right	Peds	App. Total	Left	Thru	Right	Peds	App. Total	Left	Thru	Right	Peds	App. Total	Left	Thru	Right	Peds	App. Total	
Peak Hour Analysis From 06:00 to 11:45 - Peak 1 of 1																					
Peak Hour for Entire Intersection Begins at 10:00																					
10:00	1	35	1	0	37	2	2	0	0	4	15	46	4	0	65	6	0	9	0	15	121
10:15	1	47	6	0	54	9	3	1	0	13	12	37	2	0	51	6	0	5	0	11	129
10:30	0	41	6	0	47	15	4	3	0	22	7	36	0	0	43	2	0	12	0	14	126
10:45	0	44	0	0	44	10	0	2	0	12	8	34	6	0	48	4	0	3	0	7	111
Total Volume	2	167	13	0	182	36	9	6	0	51	42	153	12	0	207	18	0	29	0	47	487
% App. Total	1.1	91.8	7.1	0		70.6	17.6	11.8	0		20.3	73.9	5.8	0		38.3	0	61.7	0		
PHF	.500	.888	.542	.000	.843	.600	.563	.500	.000	.580	.700	.832	.500	.000	.796	.750	.000	.604	.000	.783	.944



Associated Consulting Services (ACS)

Saint Paul, MN 55127

-- TRAFFIC DATA --

Location: TH-47 at 167th Ave NW

Ref. Pt: 025+00.778

Data Prepared By: ACS

TURNING MOVEMENT COUNT

File Name : TH-47 at 167th Ave NW_2018

Site Code :

Start Date : 5/15/2018

Page No : 4

Start Time	TH-47 Southbound					167th Ave NW Westbound					TH-47 Northbound					167th Ave NW Eastbound					Int. Total
	Left	Thru	Right	Peds	App. Total	Left	Thru	Right	Peds	App. Total	Left	Thru	Right	Peds	App. Total	Left	Thru	Right	Peds	App. Total	
Peak Hour Analysis From 12:00 to 17:45 - Peak 1 of 1																					
Peak Hour for Entire Intersection Begins at 14:15																					
14:15	0	51	10	0	61	2	0	2	0	4	31	61	15	0	107	17	3	15	0	35	207
14:30	1	55	11	0	67	4	3	3	0	10	19	98	15	0	132	15	6	20	0	41	250
14:45	5	43	15	0	63	7	0	1	0	8	30	70	13	0	113	10	7	22	0	39	223
15:00	3	44	12	0	59	4	1	5	0	10	22	99	13	0	134	12	4	11	0	27	230
Total Volume	9	193	48	0	250	17	4	11	0	32	102	328	56	0	486	54	20	68	0	142	910
% App. Total	3.6	77.2	19.2	0		53.1	12.5	34.4	0		21	67.5	11.5	0		38	14.1	47.9	0		
PHF	.450	.877	.800	.000	.933	.607	.333	.550	.000	.800	.823	.828	.933	.000	.907	.794	.714	.773	.000	.866	.910

