



# MINNESOTA DEPT. OF TRANSPORTATION

## TRAFFIC DATA COLLECTION - METRO

TH-952 / ROBERT ST. AT WENTWORTH AVE: TH-952 ROBERT ST AT WENTWORTH AVE 2006  
 REF.PT.: 127.930 Site Code : 00000000  
 JAMAR# 631 /632 RE /DR Start Date : 5/23/2006  
 TURN MOVEMENT COUNT Page No : 1

**Groups Printed- CARS & TRUCKS**

Start Time	TH-952 / ROBERT ST. Southbound				WENTWORTH AVE. Westbound				TH-952 / ROBERT ST. Northbound				WENTWORTH AVE. Eastbound				Int. Total
	Left	Thru	Right	Peds	Left	Thru	Right	Peds	Left	Thru	Right	Peds	Left	Thru	Right	Peds	
06:00	5	40	3	0	1	8	4	0	2	35	0	0	2	5	2	2	109
06:15	5	50	1	1	2	14	10	0	4	58	2	0	3	7	9	0	166
06:30	12	65	4	2	0	12	11	0	6	60	0	0	5	20	6	0	203
06:45	9	57	3	0	10	23	6	0	3	101	2	0	8	14	6	0	242
Total	31	212	11	3	13	57	31	0	15	254	4	0	18	46	23	2	720
07:00	11	65	6	0	2	32	13	1	11	84	5	0	11	24	12	0	277
07:15	8	103	10	3	6	35	13	1	15	130	2	0	9	28	11	0	374
07:30	25	105	9	0	0	35	17	0	9	140	7	1	18	23	14	0	403
07:45	17	107	12	2	14	34	14	0	15	118	7	1	12	18	9	0	380
Total	61	380	37	5	22	136	57	2	50	472	21	2	50	93	46	0	1434
08:00	24	108	15	0	14	19	23	0	12	108	7	0	5	19	16	0	370
08:15	13	113	8	0	13	34	17	0	15	111	6	1	7	23	18	0	379
08:30	25	104	9	1	3	27	25	1	10	108	8	1	10	31	18	0	381
08:45	17	136	19	0	8	31	20	0	21	117	12	1	17	30	14	0	443
Total	79	461	51	1	38	111	85	1	58	444	33	3	39	103	66	0	1573
11:00	30	171	3	3	31	34	39	3	24	166	17	1	8	36	25	0	591
11:15	33	200	16	7	21	23	30	2	29	229	23	0	12	32	35	3	695
11:30	26	240	21	1	25	28	31	1	21	199	24	3	15	28	53	1	717
11:45	32	221	22	2	26	43	41	1	27	242	31	1	13	33	53	0	788
Total	121	832	62	13	103	128	141	7	101	836	95	5	48	129	166	4	2791
12:00	40	236	11	3	33	28	39	3	49	223	54	2	20	35	30	3	809
12:15	29	206	16	2	41	30	41	0	31	221	38	0	17	31	46	1	750
12:30	44	239	16	1	28	30	35	0	38	253	49	1	14	25	41	2	816
12:45	34	201	9	6	25	29	33	9	35	197	28	1	16	32	37	0	692
Total	147	882	52	12	127	117	148	12	153	894	169	4	67	123	154	6	3067
15:00	32	217	13	2	17	30	25	1	19	220	24	4	7	44	20	2	677
15:15	51	217	14	1	21	39	26	6	34	238	24	0	13	52	30	3	769
15:30	21	185	13	0	8	35	31	2	26	208	28	0	21	45	38	0	661
15:45	45	237	15	2	16	45	38	3	29	250	33	0	9	38	39	0	799
Total	149	856	55	5	62	149	120	12	108	916	109	4	50	179	127	5	2906
16:00	39	250	13	11	30	34	46	1	23	234	33	3	23	43	43	9	835
16:15	36	227	22	7	23	37	25	2	41	270	32	5	14	35	46	2	824
16:30	35	231	20	6	31	35	31	1	42	220	34	0	18	46	46	3	799
16:45	44	259	11	1	19	37	47	3	26	222	38	3	8	48	51	1	818
Total	154	967	66	25	103	143	149	7	132	946	137	11	63	172	186	15	3276
17:00	54	243	16	3	29	43	38	1	23	250	27	0	13	61	42	2	845
17:15	32	253	12	2	19	33	32	3	41	258	29	4	14	48	57	1	838
17:30	38	242	14	3	32	31	27	0	37	202	36	1	20	54	53	2	792
17:45	49	240	19	1	27	21	28	1	35	263	34	2	8	42	50	1	821
Total	173	978	61	9	107	128	125	5	136	973	126	7	55	205	202	6	3296



# MINNESOTA DEPT. OF TRANSPORTATION

## TRAFFIC DATA COLLECTION - METRO

TH-952 / ROBERT ST. AT WENTWORTH AVE: TH-952 ROBERT ST AT WENTWORTH AVE 2006  
 REF.PT.: 127.930 Site Code : 00000000  
 JAMAR# 631 /632 RE /DR Start Date : 5/23/2006  
 TURN MOVEMENT COUNT Page No : 2

**Groups Printed- CARS & TRUCKS**

	TH-952 / ROBERT ST. Southbound				WENTWORTH AVE. Westbound				TH-952 / ROBERT ST. Northbound				WENTWORTH AVE. Eastbound				Int. Total
	Left	Thru	Right	Peds	Left	Thru	Right	Peds	Left	Thru	Right	Peds	Left	Thru	Right	Peds	
Grand Total	915	5568	395	73	575	969	856	46	753	5735	694	36	390	1050	970	38	19063
Apprch %	13.2	80.1	5.7	1.1	23.5	39.6	35	1.9	10.4	79.5	9.6	0.5	15.9	42.9	39.6	1.6	
Total %	4.8	29.2	2.1	0.4	3	5.1	4.5	0.2	4	30.1	3.6	0.2	2	5.5	5.1	0.2	

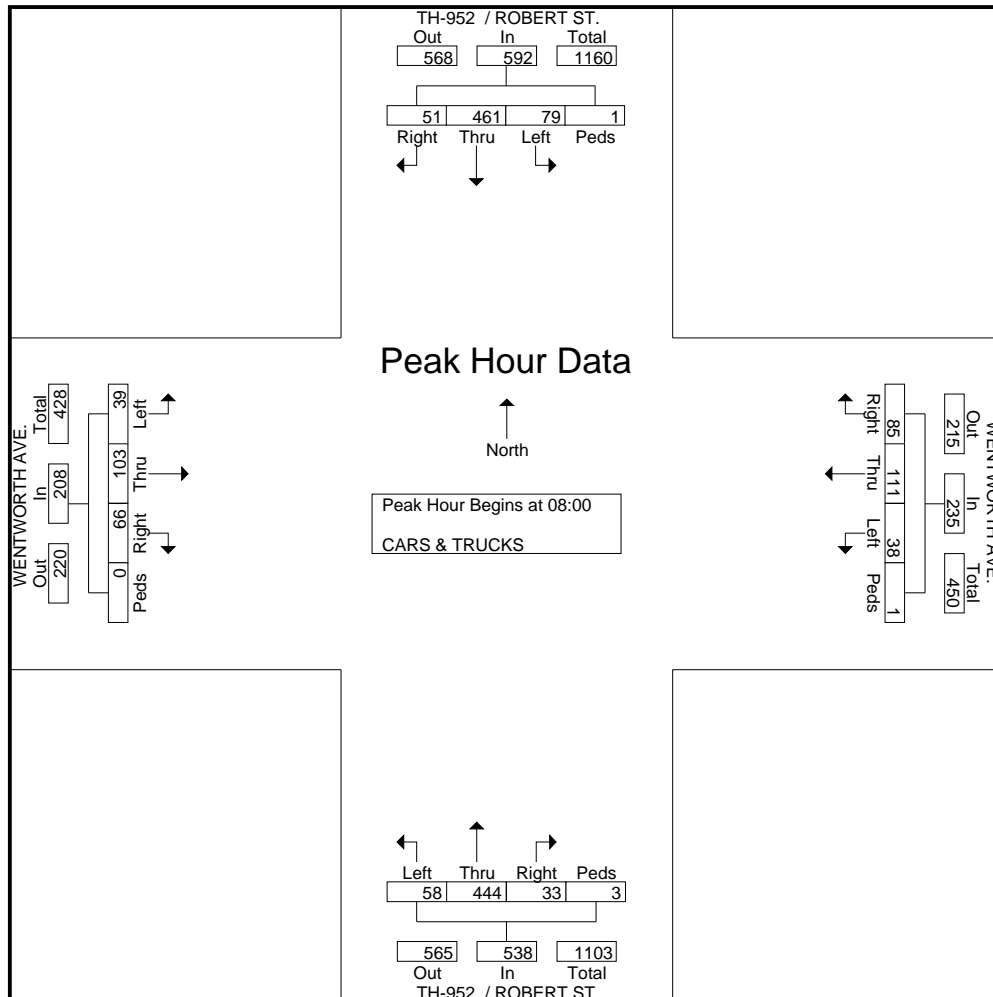


# MINNESOTA DEPT. OF TRANSPORTATION

## TRAFFIC DATA COLLECTION - METRO

TH-952 / ROBERT ST. AT WENTWORTH AVE: TH-952 ROBERT ST AT WENTWORTH AVE 2006  
 REF.PT.: 127.930 Site Code : 00000000  
 JAMAR# 631 /632 RE /DR Start Date : 5/23/2006  
 TURN MOVEMENT COUNT Page No : 3

Start Time	TH-952 / ROBERT ST. Southbound					WENTWORTH AVE. Westbound					TH-952 / ROBERT ST. Northbound					WENTWORTH AVE. Eastbound					Int. Total
	Left	Thru	Right	Peds	App. Total	Left	Thru	Right	Peds	App. Total	Left	Thru	Right	Peds	App. Total	Left	Thru	Right	Peds	App. Total	
Peak Hour Analysis From 06:00 to 08:45 - Peak 1 of 1																					
Peak Hour for Entire Intersection Begins at 08:00																					
08:00	24	108	15	0	147	14	19	23	0	56	12	108	7	0	127	5	19	16	0	40	370
08:15	13	113	8	0	134	13	34	17	0	64	15	111	6	1	133	7	23	18	0	48	379
08:30	25	104	9	1	139	3	27	25	1	56	10	108	8	1	127	10	31	18	0	59	381
08:45	17	136	19	0	172	8	31	20	0	59	21	117	12	1	151	17	30	14	0	61	443
Total Volume	79	461	51	1	592	38	111	85	1	235	58	444	33	3	538	39	103	66	0	208	1573
% App. Total	13.3	77.9	8.6	0.2		16.2	47.2	36.2	0.4		10.8	82.5	6.1	0.6		18.8	49.5	31.7	0		
PHF	.790	.847	.671	.250	.860	.679	.816	.850	.250	.918	.690	.949	.688	.750	.891	.574	.831	.917	.000	.852	.888





# MINNESOTA DEPT. OF TRANSPORTATION

## TRAFFIC DATA COLLECTION - METRO

TH-952 / ROBERT ST. AT WENTWORTH AVE: TH-952 ROBERT ST AT WENTWORTH AVE 2006  
 REF.PT.: 127.930 Site Code : 00000000  
 JAMAR# 631 /632 RE /DR Start Date : 5/23/2006  
 TURN MOVEMENT COUNT Page No : 4

Start Time	TH-952 / ROBERT ST. Southbound					WENTWORTH AVE. Westbound					TH-952 / ROBERT ST. Northbound					WENTWORTH AVE. Eastbound					Int. Total
	Left	Thru	Right	Peds	App. Total	Left	Thru	Right	Peds	App. Total	Left	Thru	Right	Peds	App. Total	Left	Thru	Right	Peds	App. Total	
Peak Hour Analysis From 15:00 to 17:45 - Peak 1 of 1																					
Peak Hour for Entire Intersection Begins at 16:30																					
16:30	35	231	20	6	292	31	35	31	1	98	42	220	34	0	296	18	46	46	3	113	799
16:45	44	259	11	1	315	19	37	47	3	106	26	222	38	3	289	8	48	51	1	108	818
17:00	54	243	16	3	316	29	43	38	1	111	23	250	27	0	300	13	61	42	2	118	845
17:15	32	253	12	2	299	19	33	32	3	87	41	258	29	4	332	14	48	57	1	120	838
Total Volume	165	986	59	12	1222	98	148	148	8	402	132	950	128	7	1217	53	203	196	7	459	3300
% App. Total	13.5	80.7	4.8	1		24.4	36.8	36.8	2		10.8	78.1	10.5	0.6		11.5	44.2	42.7	1.5		
PHF	.764	.952	.738	.500	.967	.790	.860	.787	.667	.905	.786	.921	.842	.438	.916	.736	.832	.860	.583	.956	.976

