



# MINNESOTA DEPT OF TRANSPORTATION

## TRAFFIC DATA COLLECTION - METRO

TH-3 at 170th St W / Co.Rd.58  
 Ref.Pt.: 030.342  
 JAMAR # T-2638 CAH  
 TURN MOVEMENT COUNT

File Name : TH-3 at 170th St CoRd-58 2010  
 Site Code : 00000000  
 Start Date : 10/19/2010  
 Page No : 1

### Groups Printed- Cars & Trucks

Start Time	TH-3 Southbound				170th St W / Co.Rd.58 Westbound				TH-3 Northbound				170th St W / Co.Rd.58 Eastbound				Int. Total
	Left	Thru	Right	Peds	Left	Thru	Right	Peds	Left	Thru	Right	Peds	Left	Thru	Right	Peds	
06:00	2	15	3	0	0	2	0	0	17	99	3	0	11	1	4	0	157
06:15	6	27	5	0	0	2	1	0	17	120	3	0	7	3	1	0	192
06:30	3	39	7	0	0	2	6	0	24	163	2	0	17	1	5	0	269
06:45	1	35	8	0	2	0	2	0	28	130	1	0	14	1	5	0	227
<b>Total</b>	<b>12</b>	<b>116</b>	<b>23</b>	<b>0</b>	<b>2</b>	<b>6</b>	<b>9</b>	<b>0</b>	<b>86</b>	<b>512</b>	<b>9</b>	<b>0</b>	<b>49</b>	<b>6</b>	<b>15</b>	<b>0</b>	<b>845</b>
07:00	4	50	3	0	2	2	13	0	26	160	2	0	18	2	5	0	287
07:15	4	52	9	0	1	1	9	0	25	170	0	0	17	2	15	0	305
07:30	9	64	9	0	1	0	3	0	29	200	5	0	22	6	8	1	357
07:45	2	66	6	0	0	1	5	0	25	140	4	0	24	1	4	0	278
<b>Total</b>	<b>19</b>	<b>232</b>	<b>27</b>	<b>0</b>	<b>4</b>	<b>4</b>	<b>30</b>	<b>0</b>	<b>105</b>	<b>670</b>	<b>11</b>	<b>0</b>	<b>81</b>	<b>11</b>	<b>32</b>	<b>1</b>	<b>1227</b>
08:00	1	50	6	0	1	4	6	0	20	105	0	0	16	0	6	0	215
08:15	6	48	8	0	2	3	2	0	18	105	0	0	16	2	7	0	217
08:30	11	36	6	0	2	0	5	0	14	94	2	0	17	1	6	0	194
08:45	2	45	6	0	1	1	9	0	17	77	3	0	8	1	6	0	176
<b>Total</b>	<b>20</b>	<b>179</b>	<b>26</b>	<b>0</b>	<b>6</b>	<b>8</b>	<b>22</b>	<b>0</b>	<b>69</b>	<b>381</b>	<b>5</b>	<b>0</b>	<b>57</b>	<b>4</b>	<b>25</b>	<b>0</b>	<b>802</b>
*** BREAK ***																	
15:00	5	72	16	0	4	2	3	0	10	43	3	0	10	4	21	0	193
15:15	2	108	18	0	7	1	5	0	6	61	1	0	10	0	10	0	229
15:30	4	78	11	0	2	2	3	0	12	79	0	0	11	2	19	0	223
15:45	2	104	13	0	2	3	3	0	16	64	0	0	7	0	11	0	225
<b>Total</b>	<b>13</b>	<b>362</b>	<b>58</b>	<b>0</b>	<b>15</b>	<b>8</b>	<b>14</b>	<b>0</b>	<b>44</b>	<b>247</b>	<b>4</b>	<b>0</b>	<b>38</b>	<b>6</b>	<b>61</b>	<b>0</b>	<b>870</b>
16:00	4	117	22	1	2	5	1	0	14	65	3	0	5	2	34	0	275
16:15	5	159	25	0	5	2	4	1	18	81	5	0	5	2	24	0	336
16:30	2	149	25	0	4	3	2	0	21	71	1	0	14	1	25	0	318
16:45	2	145	32	0	2	1	1	0	14	85	4	0	8	2	32	0	328
<b>Total</b>	<b>13</b>	<b>570</b>	<b>104</b>	<b>1</b>	<b>13</b>	<b>11</b>	<b>8</b>	<b>1</b>	<b>67</b>	<b>302</b>	<b>13</b>	<b>0</b>	<b>32</b>	<b>7</b>	<b>115</b>	<b>0</b>	<b>1257</b>
17:00	2	121	35	0	5	1	3	0	21	72	0	0	17	2	21	0	300
17:15	0	120	38	0	0	0	3	0	22	82	0	0	12	0	23	0	300
17:30	6	128	28	0	1	1	3	0	14	77	1	0	13	0	26	0	298
17:45	4	136	20	0	2	2	2	0	17	67	0	0	11	4	22	0	287
<b>Total</b>	<b>12</b>	<b>505</b>	<b>121</b>	<b>0</b>	<b>8</b>	<b>4</b>	<b>11</b>	<b>0</b>	<b>74</b>	<b>298</b>	<b>1</b>	<b>0</b>	<b>53</b>	<b>6</b>	<b>92</b>	<b>0</b>	<b>1185</b>
<b>Grand Total</b>	<b>89</b>	<b>1964</b>	<b>359</b>	<b>1</b>	<b>48</b>	<b>41</b>	<b>94</b>	<b>1</b>	<b>445</b>	<b>2410</b>	<b>43</b>	<b>0</b>	<b>310</b>	<b>40</b>	<b>340</b>	<b>1</b>	<b>6186</b>
Apprch %	3.7	81.4	14.9	0	26.1	22.3	51.1	0.5	15.4	83.2	1.5	0	44.9	5.8	49.2	0.1	
Total %	1.4	31.7	5.8	0	0.8	0.7	1.5	0	7.2	39	0.7	0	5	0.6	5.5	0	



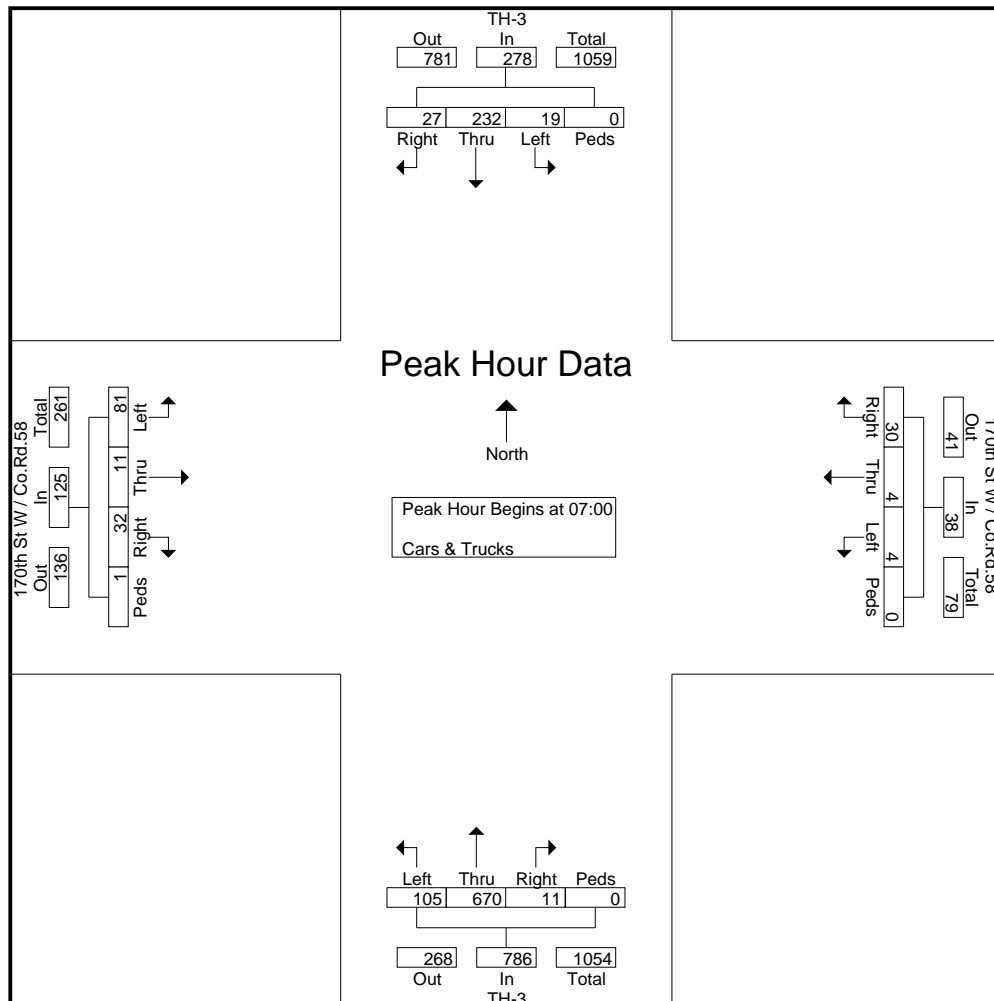
# MINNESOTA DEPT OF TRANSPORTATION

## TRAFFIC DATA COLLECTION - METRO

TH-3 at 170th St W / Co.Rd.58  
 Ref.Pt.: 030.342  
 JAMAR # T-2638 CAH  
 TURN MOVEMENT COUNT

File Name : TH-3 at 170th St CoRd-58 2010  
 Site Code : 00000000  
 Start Date : 10/19/2010  
 Page No : 2

Start Time	TH-3 Southbound					170th St W / Co.Rd.58 Westbound					TH-3 Northbound					170th St W / Co.Rd.58 Eastbound					Int. Total
	Left	Thru	Right	Peds	App. Total	Left	Thru	Right	Peds	App. Total	Left	Thru	Right	Peds	App. Total	Left	Thru	Right	Peds	App. Total	
Peak Hour Analysis From 06:00 to 08:45 - Peak 1 of 1																					
Peak Hour for Entire Intersection Begins at 07:00																					
07:00	4	50	3	0	57	2	2	13	0	17	26	160	2	0	188	18	2	5	0	25	287
07:15	4	52	9	0	65	1	1	9	0	11	25	170	0	0	195	17	2	15	0	34	305
07:30	9	64	9	0	82	1	0	3	0	4	29	200	5	0	234	22	6	8	1	37	357
07:45	2	66	6	0	74	0	1	5	0	6	25	140	4	0	169	24	1	4	0	29	278
Total Volume	19	232	27	0	278	4	4	30	0	38	105	670	11	0	786	81	11	32	1	125	1227
% App. Total	6.8	83.5	9.7	0		10.5	10.5	78.9	0		13.4	85.2	1.4	0		64.8	8.8	25.6	0.8		
PHF	.528	.879	.750	.000	.848	.500	.500	.577	.000	.559	.905	.838	.550	.000	.840	.844	.458	.533	.250	.845	.859





# MINNESOTA DEPT OF TRANSPORTATION

## TRAFFIC DATA COLLECTION - METRO

TH-3 at 170th St W / Co.Rd.58  
 Ref.Pt.: 030.342  
 JAMAR # T-2638 CAH  
 TURN MOVEMENT COUNT

File Name : TH-3 at 170th St CoRd-58 2010  
 Site Code : 00000000  
 Start Date : 10/19/2010  
 Page No : 3

Start Time	TH-3 Southbound					170th St W / Co.Rd.58 Westbound					TH-3 Northbound					170th St W / Co.Rd.58 Eastbound					Int. Total
	Left	Thru	Right	Peds	App. Total	Left	Thru	Right	Peds	App. Total	Left	Thru	Right	Peds	App. Total	Left	Thru	Right	Peds	App. Total	
16:15	5	159	25	0	189	5	2	4	1	12	18	81	5	0	104	5	2	24	0	31	336
16:30	2	149	25	0	176	4	3	2	0	9	21	71	1	0	93	14	1	25	0	40	318
16:45	2	145	32	0	179	2	1	1	0	4	14	85	4	0	103	8	2	32	0	42	328
17:00	2	121	35	0	158	5	1	3	0	9	21	72	0	0	93	17	2	21	0	40	300
Total Volume	11	574	117	0	702	16	7	10	1	34	74	309	10	0	393	44	7	102	0	153	1282
% App. Total	1.6	81.8	16.7	0		47.1	20.6	29.4	2.9		18.8	78.6	2.5	0		28.8	4.6	66.7	0		
PHF	.550	.903	.836	.000	.929	.800	.583	.625	.250	.708	.881	.909	.500	.000	.945	.647	.875	.797	.000	.911	.954

Peak Hour Analysis From 15:00 to 17:45 - Peak 1 of 1  
 Peak Hour for Entire Intersection Begins at 16:15

