



MINNESOTA DEPT OF TRANSPORTATION

TRAFFIC DATA COLLECTION - METRO

TH-3 AT 170TH ST./CO.RD.58
 REF.PT.: 030.342 (S OF ROSEMOUNT)
 JAMAR # T-2582 MR
 TURN MOVEMENT COUNT

File Name : TH-3 AT 170TH ST CR58 2007
 Site Code : 00000000
 Start Date : 8/8/2007
 Page No : 1

Groups Printed- Cars & Trucks

Start Time	TH-3 Southbound				Co.Rd. 58 / 170TH ST. Westbound				TH-3 Northbound				Co.Rd. 58 / 170TH ST. Eastbound				Int. Total
	Left	Thru	Right	Peds	Left	Thru	Right	Peds	Left	Thru	Right	Peds	Left	Thru	Right	Peds	
06:00	6	31	11	0	0	11	7	0	20	84	5	0	16	6	6	0	203
06:15	8	28	7	0	0	10	15	0	26	123	3	0	10	11	9	0	250
06:30	4	57	3	0	0	14	8	0	30	131	1	0	23	10	14	0	295
06:45	1	37	9	0	1	10	3	0	36	166	1	0	6	9	11	0	290
Total	19	153	30	0	1	45	33	0	112	504	10	0	55	36	40	0	1038
07:00	2	38	4	0	0	9	5	0	29	149	7	0	15	13	1	0	272
07:15	0	60	10	0	0	9	2	0	17	165	8	0	14	13	8	0	306
07:30	1	39	3	0	0	10	8	0	34	137	9	0	17	6	6	0	270
07:45	1	54	10	0	4	6	1	0	17	121	0	0	17	13	13	0	257
Total	4	191	27	0	4	34	16	0	97	572	24	0	63	45	28	0	1105
08:00	1	33	9	0	0	6	2	0	11	99	1	0	11	9	7	0	189
08:15	1	52	4	0	1	10	3	0	9	56	3	0	6	10	4	0	159
08:30	3	54	6	0	2	6	5	0	7	94	0	0	3	7	5	0	192
08:45	3	44	16	0	2	10	1	0	18	68	2	0	21	11	10	0	206
Total	8	183	35	0	5	32	11	0	45	317	6	0	41	37	26	0	746
*** BREAK ***																	
15:00	1	96	12	0	1	17	1	0	18	86	2	0	7	20	21	0	282
15:15	4	84	21	1	1	12	3	0	19	79	2	0	7	22	22	0	277
15:30	1	119	19	0	0	19	1	0	11	82	1	1	9	19	21	0	303
15:45	3	113	16	1	1	15	3	0	14	68	1	0	10	16	29	0	290
Total	9	412	68	2	3	63	8	0	62	315	6	1	33	77	93	0	1152
16:00	11	120	30	0	3	7	0	0	26	98	0	0	9	9	34	0	347
16:15	2	180	36	0	4	14	4	0	24	83	0	0	11	8	30	0	396
16:30	3	157	22	0	0	3	6	0	16	82	2	1	4	11	23	0	330
16:45	10	183	27	0	0	12	3	0	10	87	0	0	9	15	38	0	394
Total	26	640	115	0	7	36	13	0	76	350	2	1	33	43	125	0	1467
17:00	6	209	41	0	4	6	2	0	24	99	1	0	10	4	44	0	450
17:15	5	236	43	0	6	2	3	0	34	90	0	0	10	4	31	1	465
17:30	3	183	40	0	5	6	3	0	22	75	0	0	12	5	44	0	398
17:45	5	187	27	0	1	0	3	0	22	99	0	0	9	2	26	0	381
Total	19	815	151	0	16	14	11	0	102	363	1	0	41	15	145	1	1694
Grand Total	85	2394	426	2	36	224	92	0	494	2421	49	2	266	253	457	1	7202
Apprch %	2.9	82.4	14.7	0.1	10.2	63.6	26.1	0	16.7	81.6	1.7	0.1	27.2	25.9	46.8	0.1	
Total %	1.2	33.2	5.9	0	0.5	3.1	1.3	0	6.9	33.6	0.7	0	3.7	3.5	6.3	0	



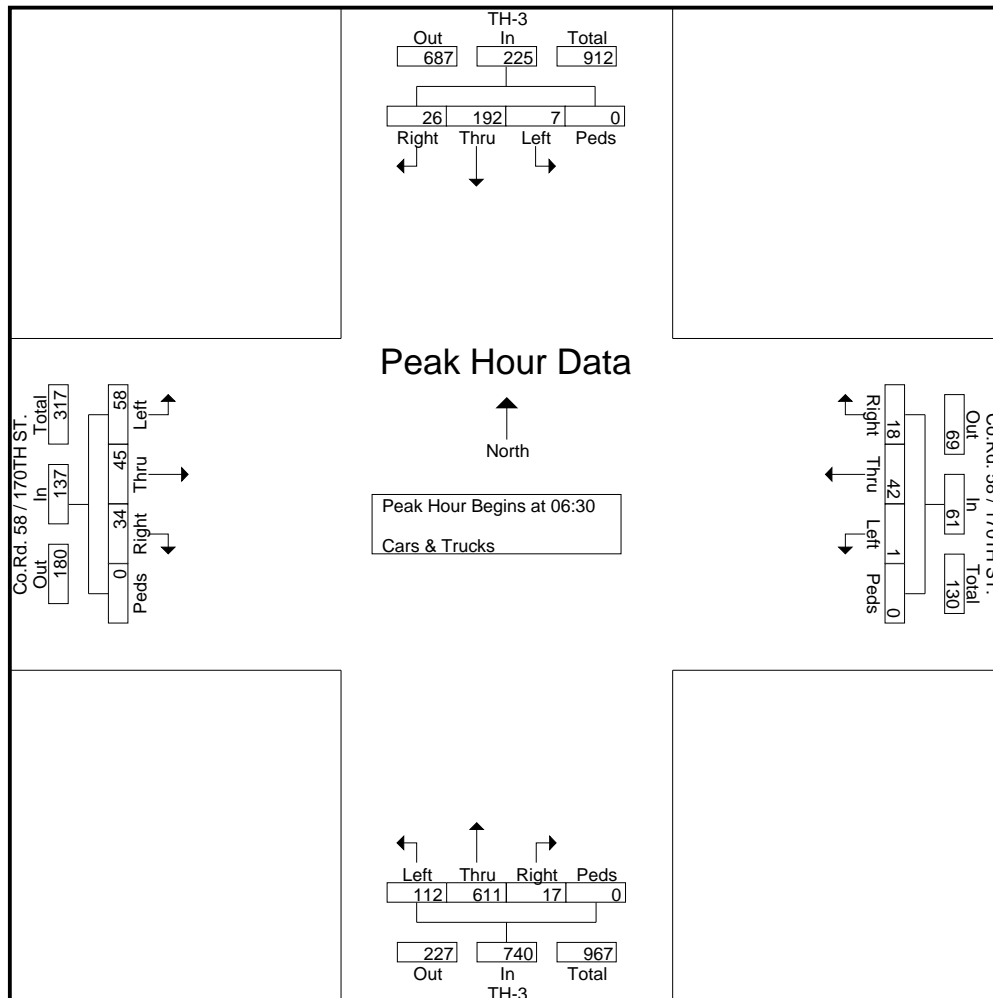
MINNESOTA DEPT OF TRANSPORTATION

TRAFFIC DATA COLLECTION - METRO

TH-3 AT 170TH ST./CO.RD.58
 REF.PT.: 030.342 (S OF ROSEMOUNT)
 JAMAR # T-2582 MR
 TURN MOVEMENT COUNT

File Name : TH-3 AT 170TH ST CR58 2007
 Site Code : 00000000
 Start Date : 8/8/2007
 Page No : 2

Start Time	TH-3 Southbound					Co.Rd. 58 / 170TH ST. Westbound					TH-3 Northbound					Co.Rd. 58 / 170TH ST. Eastbound					Int. Total
	Left	Thru	Right	Peds	App. Total	Left	Thru	Right	Peds	App. Total	Left	Thru	Right	Peds	App. Total	Left	Thru	Right	Peds	App. Total	
Peak Hour Analysis From 06:00 to 08:45 - Peak 1 of 1																					
Peak Hour for Entire Intersection Begins at 06:30																					
06:30	4	57	3	0	64	0	14	8	0	22	30	131	1	0	162	23	10	14	0	47	295
06:45	1	37	9	0	47	1	10	3	0	14	36	166	1	0	203	6	9	11	0	26	290
07:00	2	38	4	0	44	0	9	5	0	14	29	149	7	0	185	15	13	1	0	29	272
07:15	0	60	10	0	70	0	9	2	0	11	17	165	8	0	190	14	13	8	0	35	306
Total Volume	7	192	26	0	225	1	42	18	0	61	112	611	17	0	740	58	45	34	0	137	1163
% App. Total																					
PHF	.438	.800	.650	.000	.804	.250	.750	.563	.000	.693	.778	.920	.531	.000	.911	.630	.865	.607	.000	.729	.950





MINNESOTA DEPT OF TRANSPORTATION

TRAFFIC DATA COLLECTION - METRO

TH-3 AT 170TH ST./CO.RD.58
 REF.PT.: 030.342 (S OF ROSEMOUNT)
 JAMAR # T-2582 MR
 TURN MOVEMENT COUNT

File Name : TH-3 AT 170TH ST CR58 2007
 Site Code : 00000000
 Start Date : 8/8/2007
 Page No : 3

Start Time	TH-3 Southbound					Co.Rd. 58 / 170TH ST. Westbound					TH-3 Northbound					Co.Rd. 58 / 170TH ST. Eastbound					Int. Total
	Left	Thru	Right	Peds	App. Total	Left	Thru	Right	Peds	App. Total	Left	Thru	Right	Peds	App. Total	Left	Thru	Right	Peds	App. Total	
Peak Hour Analysis From 15:00 to 17:45 - Peak 1 of 1																					
Peak Hour for Entire Intersection Begins at 16:45																					
16:45	10	183	27	0	220	0	12	3	0	15	10	87	0	0	97	9	15	38	0	62	394
17:00	6	209	41	0	256	4	6	2	0	12	24	99	1	0	124	10	4	44	0	58	450
17:15	5	236	43	0	284	6	2	3	0	11	34	90	0	0	124	10	4	31	1	46	465
17:30	3	183	40	0	226	5	6	3	0	14	22	75	0	0	97	12	5	44	0	61	398
Total Volume	24	811	151	0	986	15	26	11	0	52	90	351	1	0	442	41	28	157	1	227	1707
% App. Total																					
PHF	.600	.859	.878	.000	.868	.625	.542	.917	.000	.867	.662	.886	.250	.000	.891	.854	.467	.892	.250	.915	.918

