



MINNESOTA DEPT OF TRANSPORTATION

TRAFFIC DATA COLLECTION - METRO

TH-280 at Larpenteur/Henn. Ave, W Ramps
 Ref.Pt.: 202.302
 JAMAR # 631 RE
 TURN MOVEMENT COUNT

File Name : TH-280 at Larpenteur Ave W ramp 2008
 Site Code : 00000000
 Start Date : 2/6/2008
 Page No : 1

Groups Printed- Cars & Trucks

Start Time	Ramp from TH-280 SB Southbound				Larpenteur Ave. Westbound				Ramp to TH-280 SB Northbound				Hennepin Ave. Eastbound				Int. Total
	Left	Thru	Right	Peds	Left	Thru	Right	Peds	Left	Thru	Right	Peds	Left	Thru	Right	Peds	
06:00	3	0	30	0	15	134	0	0	0	0	0	0	0	24	42	0	248
06:15	2	0	36	0	20	201	0	2	0	0	0	0	0	21	46	0	328
06:30	4	1	44	0	26	194	0	0	0	0	0	0	0	24	70	0	363
06:45	5	0	43	0	31	252	0	1	0	0	0	0	0	26	75	0	433
Total	14	1	153	0	92	781	0	3	0	0	0	0	0	95	233	0	1372
07:00	9	0	27	0	32	258	0	0	0	0	0	0	0	57	82	0	465
07:15	7	1	25	0	36	330	0	0	0	0	0	0	0	52	107	0	558
07:30	5	0	30	0	47	316	0	1	0	0	0	0	0	80	121	0	600
07:45	12	0	45	0	34	365	0	0	0	0	0	0	0	75	130	0	661
Total	33	1	127	0	149	1269	0	1	0	0	0	0	0	264	440	0	2284
08:00	14	0	33	0	49	319	0	0	0	0	0	0	0	87	122	0	624
08:15	14	0	36	0	33	318	0	0	0	0	0	0	0	59	133	0	593
08:30	24	2	46	0	29	289	0	0	0	0	0	0	0	75	132	0	597
08:45	27	0	40	0	31	299	0	0	0	0	0	0	0	83	149	1	630
Total	79	2	155	0	142	1225	0	0	0	0	0	0	0	304	536	1	2444
*** BREAK ***																	
14:30	5	0	28	0	40	188	0	0	0	0	0	0	0	107	149	0	517
14:45	6	0	25	0	28	175	0	2	0	0	0	0	0	97	128	0	461
Total	11	0	53	0	68	363	0	2	0	0	0	0	0	204	277	0	978
15:00	6	0	20	0	38	144	0	1	0	0	0	0	0	108	186	4	507
15:15	9	0	24	0	43	173	0	0	0	0	0	0	0	108	151	0	508
15:30	6	0	12	0	33	142	0	0	0	0	0	0	0	133	198	0	524
15:45	7	1	18	0	19	147	0	0	0	0	0	0	0	117	144	0	453
Total	28	1	74	0	133	606	0	1	0	0	0	0	0	466	679	4	1992
16:00	2	0	25	0	39	175	0	1	0	0	0	0	0	158	208	0	608
16:15	8	0	23	0	28	171	0	0	0	0	0	0	0	171	167	2	570
16:30	6	0	20	0	41	190	0	1	0	0	0	0	0	159	194	1	612
16:45	7	0	22	0	21	241	0	0	0	0	0	0	0	208	163	0	662
Total	23	0	90	0	129	777	0	2	0	0	0	0	0	696	732	3	2452
17:00	7	0	13	0	37	210	0	0	0	0	0	0	0	196	181	0	644
17:15	6	0	18	0	22	223	0	0	0	0	0	0	0	208	171	0	648
17:30	5	1	19	0	21	208	0	0	0	0	0	0	0	176	173	0	603
17:45	12	0	13	0	31	175	0	0	0	0	0	0	0	186	155	0	572
Total	30	1	63	0	111	816	0	0	0	0	0	0	0	766	680	0	2467
Grand Total	218	6	715	0	824	5837	0	9	0	0	0	0	0	2795	3577	8	13989
Apprch %	23.2	0.6	76.1	0	12.4	87.5	0	0.1	0	0	0	0	0	43.8	56.1	0.1	
Total %	1.6	0	5.1	0	5.9	41.7	0	0.1	0	0	0	0	0	20	25.6	0.1	



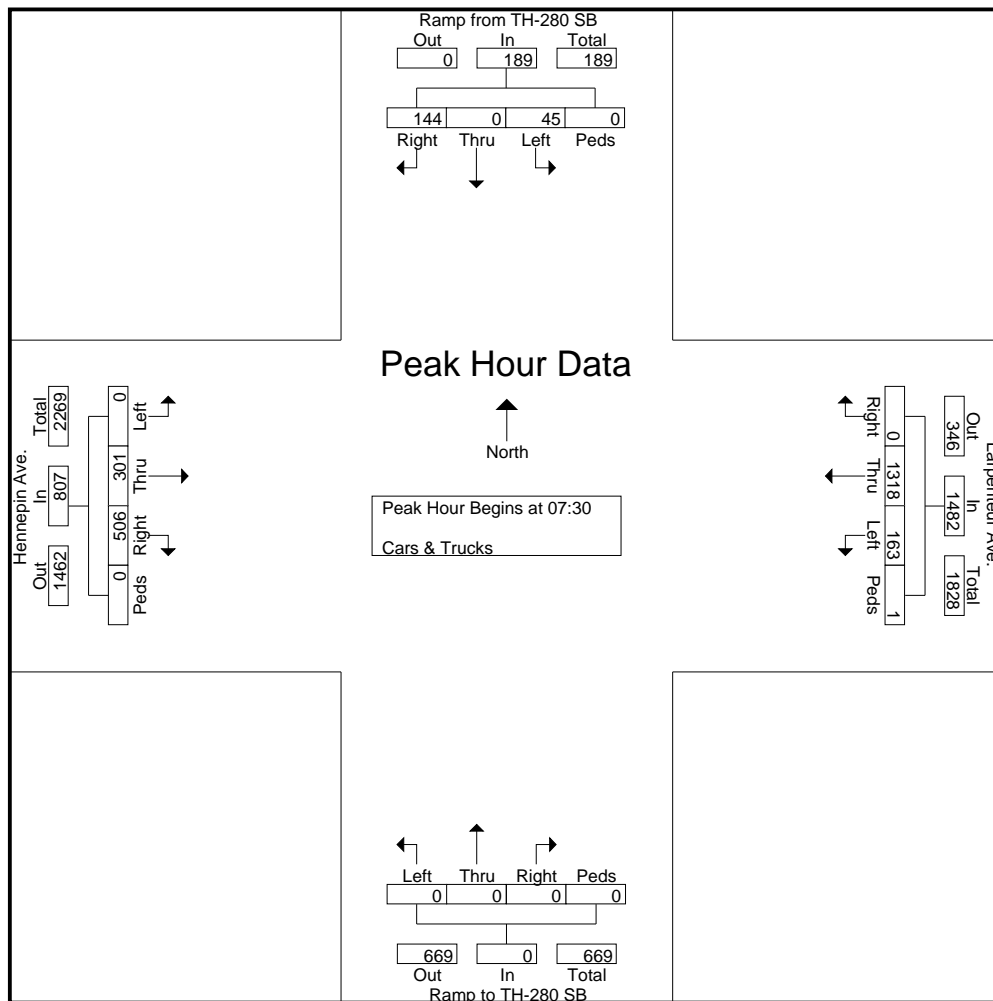
MINNESOTA DEPT OF TRANSPORTATION

TRAFFIC DATA COLLECTION - METRO

TH-280 at Larpenteur/Henn. Ave, W Ramps
 Ref.Pt.: 202.302
 JAMAR # 631 RE
 TURN MOVEMENT COUNT

File Name : TH-280 at Larpenteur Ave W ramp 2008
 Site Code : 00000000
 Start Date : 2/6/2008
 Page No : 2

Start Time	Ramp from TH-280 SB Southbound					Larpenteur Ave. Westbound					Ramp to TH-280 SB Northbound					Hennepin Ave. Eastbound					Int. Total
	Left	Thru	Right	Peds	App. Total	Left	Thru	Right	Peds	App. Total	Left	Thru	Right	Peds	App. Total	Left	Thru	Right	Peds	App. Total	
Peak Hour Analysis From 06:00 to 08:45 - Peak 1 of 1																					
Peak Hour for Entire Intersection Begins at 07:30																					
07:30	5	0	30	0	35	47	316	0	1	364	0	0	0	0	0	0	80	121	0	201	600
07:45	12	0	45	0	57	34	365	0	0	399	0	0	0	0	0	0	75	130	0	205	661
08:00	14	0	33	0	47	49	319	0	0	368	0	0	0	0	0	0	87	122	0	209	624
08:15	14	0	36	0	50	33	318	0	0	351	0	0	0	0	0	0	59	133	0	192	593
Total Volume	45	0	144	0	189	163	1318	0	1	1482	0	0	0	0	0	0	301	506	0	807	2478
% App. Total	23.8	0	76.2	0		11	88.9	0	0.1		0	0	0	0	0	0	37.3	62.7	0		
PHF	.804	.000	.800	.000	.829	.832	.903	.000	.250	.929	.000	.000	.000	.000	.000	.000	.865	.951	.000	.965	.937





MINNESOTA DEPT OF TRANSPORTATION

TRAFFIC DATA COLLECTION - METRO

TH-280 at Larpenteur/Henn. Ave, W Ramps
 Ref.Pt.: 202.302
 JAMAR # 631 RE
 TURN MOVEMENT COUNT

File Name : TH-280 at Larpenteur Ave W ramp 2008
 Site Code : 00000000
 Start Date : 2/6/2008
 Page No : 3

Start Time	Ramp from TH-280 SB Southbound					Larpenteur Ave. Westbound					Ramp to TH-280 SB Northbound					Hennepin Ave. Eastbound					Int. Total
	Left	Thru	Right	Peds	App. Total	Left	Thru	Right	Peds	App. Total	Left	Thru	Right	Peds	App. Total	Left	Thru	Right	Peds	App. Total	
Peak Hour Analysis From 14:30 to 17:45 - Peak 1 of 1																					
Peak Hour for Entire Intersection Begins at 16:30																					
16:30	6	0	20	0	26	41	190	0	1	232	0	0	0	0	0	0	159	194	1	354	612
16:45	7	0	22	0	29	21	241	0	0	262	0	0	0	0	0	0	208	163	0	371	662
17:00	7	0	13	0	20	37	210	0	0	247	0	0	0	0	0	0	196	181	0	377	644
17:15	6	0	18	0	24	22	223	0	0	245	0	0	0	0	0	0	208	171	0	379	648
Total Volume	26	0	73	0	99	121	864	0	1	986	0	0	0	0	0	0	771	709	1	1481	2566
% App. Total																					
PHF	.929	.000	.830	.000	.853	.738	.896	.000	.250	.941	.000	.000	.000	.000	.000	.000	.927	.914	.250	.977	.969

