

# Albeck Gerken, Inc

Transportation Engineers

Traffic Data Collection

TH-212 at Leona Rd / Eden Rd

Ref.Pt.: 159.223

Data By: Albreck Gerken Inc -George/Dort

TURN MOVEMENT COUNT

File Name : TH-212 at Leona Rd Eden Rd 2004

Site Code : 00000000

Start Date : 12/15/2004

Page No : 1

Groups Printed- Unshifted

Start Time	TH-212 Southbound				LEONA RD Westbound				TH-212 Northbound				EDEN RD Eastbound				Int. Total
	Left	Thru	Right	Peds	Left	Thru	Right	Peds	Left	Thru	Right	Peds	Left	Thru	Right	Peds	
06:30	9	104	4	0	5	1	20	0	1	272	12	0	5	1	0	0	434
06:45	14	126	14	1	4	1	21	0	2	324	9	0	4	1	2	0	523
Total	23	230	18	1	9	2	41	0	3	596	21	0	9	2	2	0	957
07:00	14	141	12	0	5	4	28	0	8	383	10	0	3	0	0	0	608
07:15	16	174	12	0	4	2	42	0	6	351	13	0	7	5	3	0	635
07:30	17	184	9	0	5	10	28	0	3	364	18	0	12	3	1	0	654
07:45	20	212	19	0	5	3	49	0	3	399	12	0	11	4	1	0	738
Total	67	711	52	0	19	19	147	0	20	1497	53	0	33	12	5	0	2635
08:00	19	163	17	0	8	5	33	0	4	288	21	0	12	1	2	0	573
08:15	28	165	18	0	10	4	31	0	3	302	13	0	11	5	1	0	591
*** BREAK ***																	
Total	47	328	35	0	18	9	64	0	7	590	34	0	23	6	3	0	1164
*** BREAK ***																	
11:30	15	324	71	0	12	32	44	0	28	261	18	0	25	16	6	0	852
11:45	40	314	68	0	6	7	40	0	21	262	8	0	25	17	8	0	816
Total	55	638	139	0	18	39	84	0	49	523	26	0	50	33	14	0	1668
12:00	29	322	61	0	17	18	47	5	22	301	15	0	38	13	12	0	900
12:15	32	287	50	0	16	20	59	0	23	301	10	0	56	14	11	0	879
12:30	21	271	33	0	18	5	57	0	23	358	21	0	55	12	11	0	885
12:45	37	244	29	0	15	14	49	0	25	362	16	0	74	16	12	0	893
Total	119	1124	173	0	66	57	212	5	93	1322	62	0	223	55	46	0	3557
13:00	20	222	31	0	12	19	38	0	19	358	21	0	46	16	9	0	811
13:15	28	225	26	0	7	5	42	0	12	302	19	0	57	11	12	0	746
*** BREAK ***																	
Total	48	447	57	0	19	24	80	0	31	660	40	0	103	27	21	0	1557
*** BREAK ***																	
16:00	42	333	33	0	11	8	35	0	5	221	9	0	21	5	12	0	735
16:15	36	320	47	0	12	19	33	0	5	231	12	0	37	9	15	0	776
16:30	37	384	54	0	18	19	52	0	0	233	12	0	41	7	9	0	866
16:45	33	360	48	0	15	10	33	0	3	254	15	0	33	11	13	1	829
Total	148	1397	182	0	56	56	153	0	13	939	48	0	132	32	49	1	3206
17:00	36	393	48	0	15	10	36	7	11	259	9	0	22	8	13	1	868
17:15	29	391	51	0	14	20	35	0	28	264	11	0	23	7	12	0	885
17:30	40	375	72	0	28	13	36	0	31	240	10	0	24	17	15	0	901
17:45	28	357	46	1	22	10	24	1	26	222	14	0	18	5	20	1	795
Total	133	1516	217	1	79	53	131	8	96	985	44	0	87	37	60	2	3449
Grand Total	640	6391	873	2	284	259	912	13	312	7112	328	0	660	204	200	3	18193
Apprch %	8.1	80.8	11	0	19.3	17.6	62.1	0.9	4	91.7	4.2	0	61.9	19.1	18.7	0.3	
Total %	3.5	35.1	4.8	0	1.6	1.4	5	0.1	1.7	39.1	1.8	0	3.6	1.1	1.1	0	

# Albeck Gerken, Inc

Transportation Engineers

Traffic Data Collection

TH-212 at Leona Rd / Eden Rd

Ref.Pt.: 159.223

Data By: Albeck Gerken Inc -George/Dort

TURN MOVEMENT COUNT

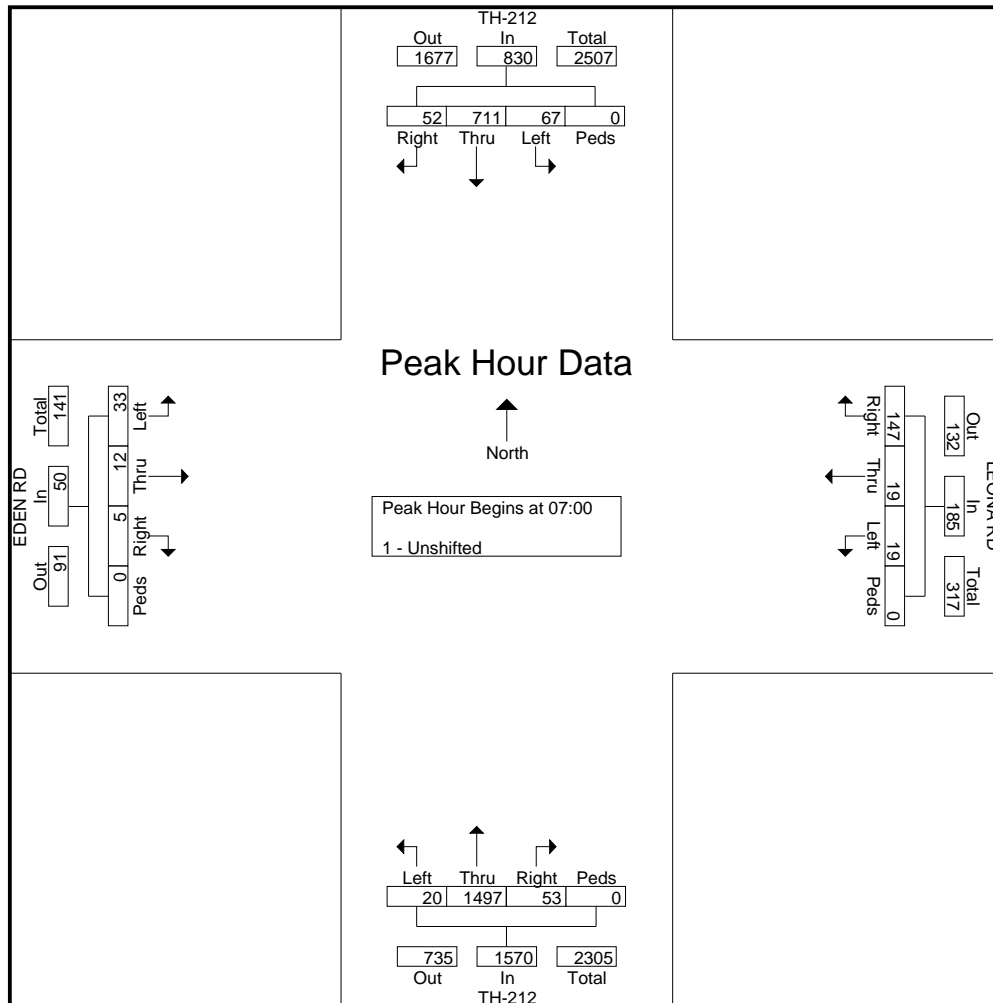
File Name : TH-212 at Leona Rd Eden Rd 2004

Site Code : 00000000

Start Date : 12/15/2004

Page No : 2

Start Time	TH-212 Southbound					LEONA RD Westbound					TH-212 Northbound					EDEN RD Eastbound					Int. Total
	Left	Thru	Right	Peds	App. Total	Left	Thru	Right	Peds	App. Total	Left	Thru	Right	Peds	App. Total	Left	Thru	Right	Peds	App. Total	
Peak Hour Analysis From 06:30 to 08:45 - Peak 1 of 1																					
Peak Hour for Entire Intersection Begins at 07:00																					
07:00	14	141	12	0	167	5	4	28	0	37	8	383	10	0	401	3	0	0	0	3	608
07:15	16	174	12	0	202	4	2	42	0	48	6	351	13	0	370	7	5	3	0	15	635
07:30	17	184	9	0	210	5	10	28	0	43	3	364	18	0	385	12	3	1	0	16	654
07:45	20	212	19	0	251	5	3	49	0	57	3	399	12	0	414	11	4	1	0	16	738
Total Volume	67	711	52	0	830	19	19	147	0	185	20	1497	53	0	1570	33	12	5	0	50	2635
% App. Total	8.1	85.7	6.3	0		10.3	10.3	79.5	0		1.3	95.4	3.4	0		66	24	10	0		
PHF	.838	.838	.684	.000	.827	.950	.475	.750	.000	.811	.625	.938	.736	.000	.948	.688	.600	.417	.000	.781	.893



# Albeck Gerken, Inc

Transportation Engineers

Traffic Data Collection

TH-212 at Leona Rd / Eden Rd

Ref.Pt.: 159.223

Data By: Albeck Gerken Inc -George/Dort

TURN MOVEMENT COUNT

File Name : TH-212 at Leona Rd Eden Rd 2004

Site Code : 00000000

Start Date : 12/15/2004

Page No : 3

Start Time	TH-212 Southbound					LEONA RD Westbound					TH-212 Northbound					EDEN RD Eastbound					Int. Total
	Left	Thru	Right	Peds	App. Total	Left	Thru	Right	Peds	App. Total	Left	Thru	Right	Peds	App. Total	Left	Thru	Right	Peds	App. Total	
Peak Hour Analysis From 15:00 to 17:45 - Peak 1 of 1																					
Peak Hour for Entire Intersection Begins at 16:45																					
16:45	33	360	48	0	441	15	10	33	0	58	3	254	15	0	272	33	11	13	1	58	829
17:00	36	393	48	0	477	15	10	36	7	68	11	259	9	0	279	22	8	13	1	44	868
17:15	29	391	51	0	471	14	20	35	0	69	28	264	11	0	303	23	7	12	0	42	885
17:30	40	375	72	0	487	28	13	36	0	77	31	240	10	0	281	24	17	15	0	56	901
Total Volume	138	1519	219	0	1876	72	53	140	7	272	73	1017	45	0	1135	102	43	53	2	200	3483
% App. Total	7.4	81	11.7	0		26.5	19.5	51.5	2.6		6.4	89.6	4	0		51	21.5	26.5	1		
PHF	.863	.966	.760	.000	.963	.643	.663	.972	.250	.883	.589	.963	.750	.000	.936	.773	.632	.883	.500	.862	.966

