



MINNESOTA DEPT OF TRANSPORTATION

TRAFFIC DATA COLLECTION - METRO

Location: TH 169 @ 114th AV/ELM CREEK PWKY 2006
 REF. PT.: 143+00.300
 Jamar# 1358/MAR
 TURN MOVEMENT COUNT

File Name : TH 169 @ 114TH AV-ELM CREEK PWKY 2006
 Site Code : 00000000
 Start Date : 7/26/2006
 Page No : 1

Groups Printed- Cars & Trucks

Start Time	TH 169 Southbound					114th AVE Westbound					TH 169 Northbound					ELM CREEK PWKY Eastbound					Int. Total
	LEFT	THRU	RIGHT	Peds	App. Total	LEFT	THRU	RIGHT	Peds	App. Total	LEFT	THRU	RIGHT	Peds	App. Total	LEFT	THRU	RIGHT	Peds	App. Total	
06:00	7	425	14	0	446	22	20	11	0	53	2	95	9	0	106	6	10	24	0	40	645
06:15	5	531	34	0	570	15	22	11	0	48	9	91	12	0	112	10	8	20	0	38	768
06:30	8	532	36	0	576	26	28	14	0	68	7	163	14	0	184	1	13	21	0	35	863
06:45	20	477	35	0	532	17	24	16	0	57	16	149	22	0	187	1	15	22	0	38	814
Total	40	1965	119	0	2124	80	94	52	0	226	34	498	57	0	589	18	46	87	0	151	3090
07:00	32	567	52	1	652	26	31	10	0	67	18	134	16	0	168	10	16	29	0	55	942
07:15	14	482	63	0	559	19	50	20	1	90	20	214	24	0	258	24	23	23	3	73	980
07:30	25	480	54	0	559	27	47	31	0	105	15	208	14	0	237	19	21	31	0	71	972
07:45	30	451	40	0	521	25	39	28	0	92	6	255	23	0	284	27	20	21	0	68	965
Total	101	1980	209	1	2291	97	167	89	1	354	59	811	77	0	947	80	80	104	3	267	3859
08:00	24	443	46	0	513	24	30	23	0	77	15	213	17	0	245	13	21	35	0	69	904
08:15	23	403	35	0	461	18	20	21	0	59	12	187	25	0	224	24	17	24	0	65	809
08:30	20	351	27	0	398	21	29	18	0	68	16	210	17	0	243	17	20	22	0	59	768
08:45	14	276	74	1	365	35	35	25	1	96	30	209	29	0	268	22	22	18	0	62	791
Total	81	1473	182	1	1737	98	114	87	1	300	73	819	88	0	980	76	80	99	0	255	3272
15:00	56	223	36	0	315	31	31	48	0	110	35	321	45	0	401	44	56	17	0	117	943
15:15	31	256	25	0	312	46	60	57	0	163	43	371	55	0	469	51	61	12	0	124	1068
15:30	48	237	23	0	308	28	62	65	0	155	26	418	61	0	505	77	55	14	2	148	1116
15:45	67	253	31	0	351	48	70	51	1	170	31	426	69	0	526	69	73	13	1	156	1203
Total	202	969	115	0	1286	153	223	221	1	598	135	1536	230	0	1901	241	245	56	3	545	4330
16:00	48	240	41	0	329	30	57	62	3	152	49	480	67	1	597	68	90	15	0	173	1251
16:15	49	213	33	0	295	33	63	45	0	141	19	405	86	0	510	72	85	14	0	171	1117
16:30	53	237	37	0	327	69	81	112	6	268	34	395	91	1	521	45	90	16	0	151	1267
16:45	55	262	36	0	353	32	88	69	0	189	61	401	76	0	538	52	77	9	0	138	1218
Total	205	952	147	0	1304	164	289	288	9	750	163	1681	320	2	2166	237	342	54	0	633	4853
17:00	42	220	19	0	281	33	63	60	0	156	41	369	69	0	479	81	96	8	0	185	1101
17:15	46	296	39	0	381	38	93	66	1	198	40	432	71	0	543	61	91	14	0	166	1288
17:30	56	218	32	0	306	34	73	55	0	162	25	403	59	0	487	64	95	23	0	182	1137
17:45	43	223	31	1	298	42	98	72	2	214	45	392	68	0	505	38	88	20	0	146	1163
Total	187	957	121	1	1266	147	327	253	3	730	151	1596	267	0	2014	244	370	65	0	679	4689
Grand Total	816	8296	893	3	10008	739	1214	990	15	2958	615	6941	1039	2	8597	896	1163	465	6	2530	24093
Apprch %	8.2	82.9	8.9	0		25	41	33.5	0.5		7.2	80.7	12.1	0		35.4	46	18.4	0.2		
Total %	3.4	34.4	3.7	0	41.5	3.1	5	4.1	0.1	12.3	2.6	28.8	4.3	0	35.7	3.7	4.8	1.9	0	10.5	

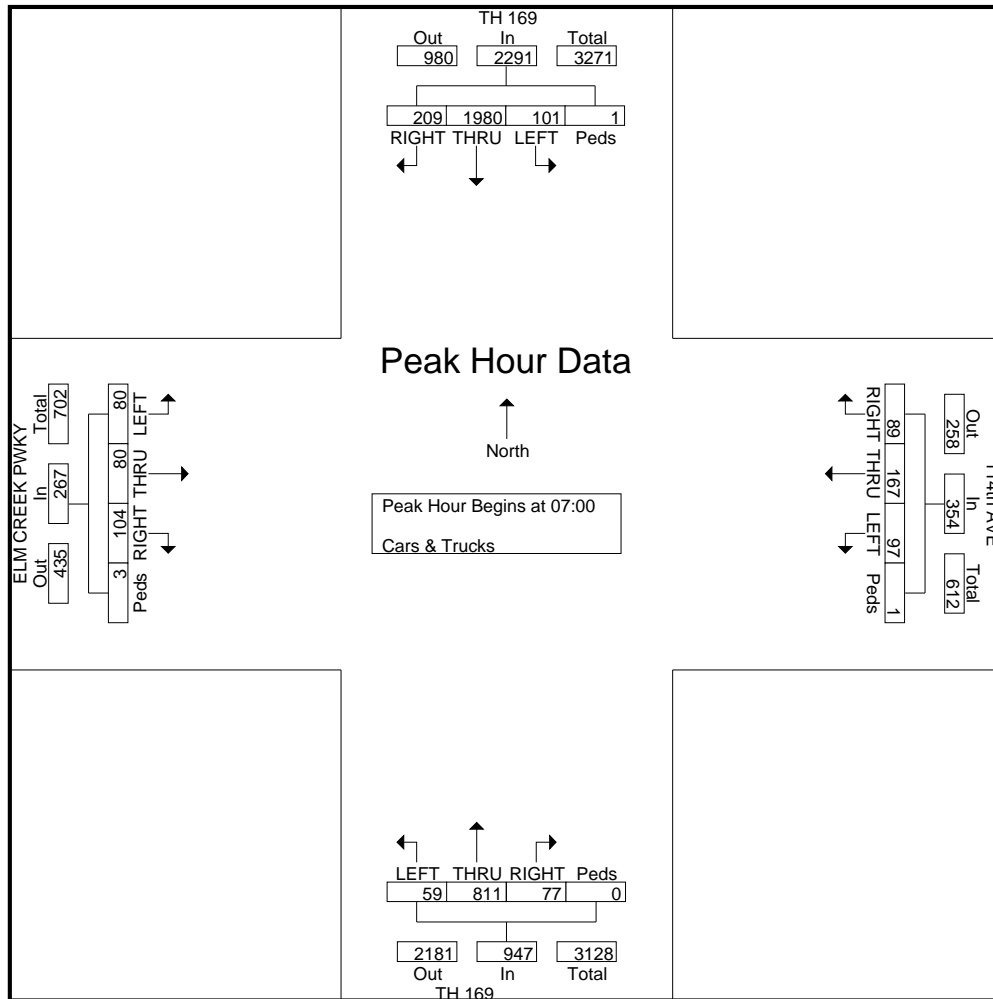


MINNESOTA DEPT OF TRANSPORTATION

TRAFFIC DATA COLLECTION - METRO

File Name : TH 169 @ 114TH AV-ELM CREEK PWKY 2006
 Site Code : 00000000
 Start Date : 7/26/2006
 Page No : 2

Start Time	TH 169 Southbound					114th AVE Westbound					TH 169 Northbound					ELM CREEK PWKY Eastbound					Int. Total
	LEFT	THRU	RIGHT	Peds	App. Total	LEFT	THRU	RIGHT	Peds	App. Total	LEFT	THRU	RIGHT	Peds	App. Total	LEFT	THRU	RIGHT	Peds	App. Total	
Peak Hour Analysis From 06:00 to 12:00 - Peak 1 of 1																					
Peak Hour for Entire Intersection Begins at 07:00																					
07:00	32	567	52	1	652	26	31	10	0	67	18	134	16	0	168	10	16	29	0	55	942
07:15	14	482	63	0	559	19	50	20	1	90	20	214	24	0	258	24	23	23	3	73	980
07:30	25	480	54	0	559	27	47	31	0	105	15	208	14	0	237	19	21	31	0	71	972
07:45	30	451	40	0	521	25	39	28	0	92	6	255	23	0	284	27	20	21	0	68	965
Total Volume	101	1980	209	1	2291	97	167	89	1	354	59	811	77	0	947	80	80	104	3	267	3859
% App. Total	4.4	86.4	9.1	0		27.4	47.2	25.1	0.3		6.2	85.6	8.1	0		30	30	39	1.1		
PHF	.789	.873	.829	.250	.878	.898	.835	.718	.250	.843	.738	.795	.802	.000	.834	.741	.870	.839	.250	.914	.984





MINNESOTA DEPT OF TRANSPORTATION

TRAFFIC DATA COLLECTION - METRO

File Name : TH 169 @ 114TH AV-ELM CREEK PWKY 2006
 Site Code : 00000000
 Start Date : 7/26/2006
 Page No : 3

Start Time	TH 169 Southbound					114th AVE Westbound					TH 169 Northbound					ELM CREEK PWKY Eastbound					Int. Total
	LEFT	THRU	RIGHT	Peds	App. Total	LEFT	THRU	RIGHT	Peds	App. Total	LEFT	THRU	RIGHT	Peds	App. Total	LEFT	THRU	RIGHT	Peds	App. Total	
Peak Hour Analysis From 12:15 to 17:45 - Peak 1 of 1																					
Peak Hour for Entire Intersection Begins at 16:30																					
16:30	53	237	37	0	327	69	81	112	6	268	34	395	91	1	521	45	90	16	0	151	1267
16:45	55	262	36	0	353	32	88	69	0	189	61	401	76	0	538	52	77	9	0	138	1218
17:00	42	220	19	0	281	33	63	60	0	156	41	369	69	0	479	81	96	8	0	185	1101
17:15	46	296	39	0	381	38	93	66	1	198	40	432	71	0	543	61	91	14	0	166	1288
Total Volume	196	1015	131	0	1342	172	325	307	7	811	176	1597	307	1	2081	239	354	47	0	640	4874
% App. Total	14.6	75.6	9.8	0		21.2	40.1	37.9	0.9		8.5	76.7	14.8	0		37.3	55.3	7.3	0		
PHF	.891	.857	.840	.000	.881	.623	.874	.685	.292	.757	.721	.924	.843	.250	.958	.738	.922	.734	.000	.865	.946

