

**Alliant Engineering, Inc**

233 Park Ave Suite 300

Minneapolis, MN 55415

--TRAFFIC DATA --

CSAH-83 at CSAH-16

Ref.Pt.: 112.716

data by : Alliant Inc.

TURN MOVEMENT COUNT

File Name : 341\_CSAH 83 & CSAH 16

Site Code : 341

Start Date : 11/8/2017

Page No : 1

Groups Printed- Vehicles - Trucks

Start Time	CSAH 83 From North				CSAH 16 From East				CSAH 83 From South				CSAH 16 From West				Int. Total
	Other	Left	Thru	Rght	Other	Left	Thru	Rght	Other	Left	Thru	Rght	Other	Left	Thru	Rght	
05:00 AM	0	0	23	1	0	0	3	4	0	0	36	0	0	13	4	1	85
05:15 AM	0	2	42	2	0	0	0	10	0	1	51	1	0	22	2	3	136
05:30 AM	0	3	78	0	0	1	3	16	0	0	75	3	0	28	1	0	208
05:45 AM	0	9	94	12	0	1	4	13	0	2	74	3	0	25	8	3	248
Total	0	14	237	15	0	2	10	43	0	3	236	7	0	88	15	7	677
06:00 AM	0	8	50	5	0	1	10	18	0	3	82	3	0	21	4	3	208
06:15 AM	0	3	63	7	0	2	8	36	0	1	100	2	0	66	4	5	297
06:30 AM	0	13	97	7	0	1	12	17	0	2	125	2	0	76	12	0	364
06:45 AM	1	21	75	21	0	6	20	55	0	0	194	2	0	74	20	4	493
Total	1	45	285	40	0	10	50	126	0	6	501	9	0	237	40	12	1362
07:00 AM	0	8	56	18	0	8	32	59	0	4	174	2	0	75	24	4	464
07:15 AM	0	8	58	23	0	8	58	70	0	5	163	4	0	76	33	8	514
07:30 AM	0	27	76	14	0	9	47	79	0	4	197	7	0	86	40	5	591
07:45 AM	0	34	58	23	0	9	52	72	0	7	192	3	0	75	32	6	563
Total	0	77	248	78	0	34	189	280	0	20	726	16	0	312	129	23	2132
08:00 AM	1	17	57	12	0	6	38	57	1	3	141	2	0	71	46	6	458
08:15 AM	0	13	67	23	0	7	23	51	0	1	130	9	0	53	36	6	419
08:30 AM	0	37	76	11	0	8	24	31	0	0	116	13	0	48	37	3	404
08:45 AM	0	22	83	17	1	9	39	50	0	2	32	3	0	39	31	9	337
Total	1	89	283	63	1	30	124	189	1	6	419	27	0	211	150	24	1618
09:00 AM	0	18	78	13	0	10	28	36	0	6	68	2	0	36	22	5	322
09:15 AM	0	16	100	12	0	3	31	20	0	3	84	2	0	45	18	3	337
09:30 AM	0	5	113	18	0	9	22	28	0	6	88	6	0	39	17	2	353
09:45 AM	0	18	97	9	0	5	18	23	0	3	74	6	0	21	20	4	298
Total	0	57	388	52	0	27	99	107	0	18	314	16	0	141	77	14	1310
10:00 AM	0	7	105	11	0	7	16	11	0	0	98	5	0	24	18	4	306
10:15 AM	0	13	80	18	0	9	22	20	0	1	76	4	0	41	25	4	313
10:30 AM	0	15	75	25	0	8	38	26	0	2	91	0	0	35	14	2	331
10:45 AM	0	21	86	20	0	10	22	19	0	4	67	4	0	27	19	4	303
Total	0	56	346	74	0	34	98	76	0	7	332	13	0	127	76	14	1253
11:00 AM	0	8	97	18	0	8	33	15	0	5	88	8	0	22	24	6	332
11:15 AM	0	22	94	14	0	16	26	23	0	5	95	4	0	19	18	6	342
11:30 AM	0	27	110	18	0	10	22	20	0	5	101	2	0	24	19	6	364
11:45 AM	0	17	127	29	0	12	23	29	0	6	95	3	0	18	21	5	385
Total	0	74	428	79	0	46	104	87	0	21	379	17	0	83	82	23	1423
12:00 PM	0	17	122	28	0	16	28	22	0	6	85	9	0	22	24	7	386
12:15 PM	0	23	110	24	0	13	29	34	0	3	98	5	0	26	23	2	390
12:30 PM	0	20	120	30	0	11	31	25	0	8	88	4	0	22	25	4	388
12:45 PM	1	19	94	36	0	14	32	15	1	7	84	6	0	38	23	6	376
Total	1	79	446	118	0	54	120	96	1	24	355	24	0	108	95	19	1540
01:00 PM	0	12	115	21	0	7	35	22	1	6	95	6	0	23	23	9	375
01:15 PM	1	21	121	24	0	7	23	27	0	4	92	5	0	24	23	6	378
01:30 PM	0	15	115	23	0	16	26	24	0	4	134	3	0	36	20	3	419
01:45 PM	0	17	107	32	0	8	28	19	0	1	103	4	0	30	22	5	376
Total	1	65	458	100	0	38	112	92	1	15	424	18	0	113	88	23	1548
02:00 PM	0	21	116	26	0	12	31	28	0	9	121	4	0	22	24	0	414
02:15 PM	0	13	128	27	0	13	38	19	0	12	136	3	0	31	19	7	446
02:30 PM	0	22	129	46	0	15	32	20	0	4	134	3	0	22	23	11	461
02:45 PM	0	27	124	40	0	13	40	27	0	9	126	9	0	23	32	1	471
Total	0	83	497	139	0	53	141	94	0	34	517	19	0	98	98	19	1792

**Alliant Engineering, Inc**

233 Park Ave Suite 300

Minneapolis, MN 55415

--TRAFFIC DATA --

CSAH-83 at CSAH-16

Ref.Pt.: 112.716

data by : Alliant Inc.

TURN MOVEMENT COUNT

File Name : 341\_CSAH 83 & CSAH 16

Site Code : 341

Start Date : 11/8/2017

Page No : 2

Groups Printed- Vehicles - Trucks

Start Time	CSAH 83 From North				CSAH 16 From East				CSAH 83 From South				CSAH 16 From West				Int. Total
	Other	Left	Thru	Rght	Other	Left	Thru	Rght	Other	Left	Thru	Rght	Other	Left	Thru	Rght	
03:00 PM	0	27	123	44	0	18	36	26	0	9	109	10	0	35	52	9	498
03:15 PM	0	38	136	61	0	11	46	33	0	6	136	12	0	28	60	4	571
03:30 PM	0	49	149	56	0	10	46	24	0	9	129	10	0	28	55	18	583
03:45 PM	0	43	143	55	0	11	44	48	0	2	114	10	0	33	71	10	584
Total	0	157	551	216	0	50	172	131	0	26	488	42	0	124	238	41	2236
04:00 PM	0	40	170	69	0	11	55	39	0	3	115	8	0	25	55	6	596
04:15 PM	0	34	182	94	0	8	53	30	0	6	110	3	0	29	45	7	601
04:30 PM	0	48	181	82	0	3	46	46	0	5	133	3	0	34	51	10	642
04:45 PM	1	58	175	86	0	6	50	19	0	10	123	6	0	36	57	8	635
Total	1	180	708	331	0	28	204	134	0	24	481	20	0	124	208	31	2474
05:00 PM	0	54	220	80	0	4	42	33	0	4	114	6	0	18	46	6	627
05:15 PM	0	48	217	75	0	4	47	27	0	10	134	6	0	24	43	7	642
05:30 PM	0	34	193	92	0	0	50	32	0	10	100	9	0	27	23	5	575
05:45 PM	0	22	168	55	0	5	37	29	0	5	103	5	0	20	27	10	486
Total	0	158	798	302	0	13	176	121	0	29	451	26	0	89	139	28	2330
06:00 PM	0	27	157	70	0	10	30	29	0	6	94	5	0	30	36	5	499
06:15 PM	0	15	154	54	0	8	30	28	0	7	109	4	0	25	30	4	468
06:30 PM	0	30	175	56	0	15	33	27	0	7	99	6	0	28	39	7	522
06:45 PM	0	20	147	38	0	6	25	24	0	2	81	1	0	23	26	0	393
Total	0	92	633	218	0	39	118	108	0	22	383	16	0	106	131	16	1882
07:00 PM	0	19	141	44	0	7	24	21	0	5	84	1	0	15	28	7	396
07:15 PM	0	18	138	34	0	3	21	17	0	4	90	1	0	12	23	3	364
07:30 PM	0	13	118	29	0	6	27	19	0	2	85	7	0	17	22	7	352
07:45 PM	0	18	99	32	0	4	18	14	0	3	68	5	0	10	15	2	288
Total	0	68	496	139	0	20	90	71	0	14	327	14	0	54	88	19	1400
08:00 PM	0	18	97	24	0	4	27	10	0	4	81	4	0	17	23	4	313
08:15 PM	0	13	84	34	0	3	16	14	0	6	89	3	0	7	23	1	293
08:30 PM	0	13	87	23	0	3	16	15	0	4	78	3	0	14	24	1	281
08:45 PM	0	10	93	33	0	1	12	7	0	3	84	3	0	12	8	2	268
Total	0	54	361	114	0	11	71	46	0	17	332	13	0	50	78	8	1155
09:00 PM	0	14	92	24	0	1	18	11	0	1	90	1	0	4	15	2	273
09:15 PM	0	14	52	20	0	3	16	7	0	0	67	1	0	5	9	2	196
09:30 PM	0	10	79	19	0	2	6	5	0	2	70	2	0	7	17	3	222
09:45 PM	0	5	86	18	0	1	6	3	0	2	74	2	0	5	6	4	212
Total	0	43	309	81	0	7	46	26	0	5	301	6	0	21	47	11	903
Grand Total	5	1391	7472	2159	1	496	1924	1827	3	291	6966	303	0	2086	1779	332	27035
Apprch %	0	12.6	67.8	19.6	0	11.7	45.3	4.3	0	3.8	92.1	4	0	49.7	42.4	7.9	
Total %	0	5.1	27.6	8	0	1.8	7.1	6.8	0	1.1	25.8	1.1	0	7.7	6.6	1.2	
Vehicles	5	1332	7245	2136	1	364	1890	1776	3	289	6730	281	0	2070	1734	328	26184
% Vehicles	100	95.8	97	98.9	100	73.4	98.2	97.2	100	99.3	96.6	92.7	0	99.2	97.5	98.8	96.9
Trucks	0	59	227	23	0	132	34	51	0	2	236	22	0	16	45	4	851
% Trucks	0	4.2	3	1.1	0	26.6	1.8	2.8	0	0.7	3.4	7.3	0	0.8	2.5	1.2	3.1

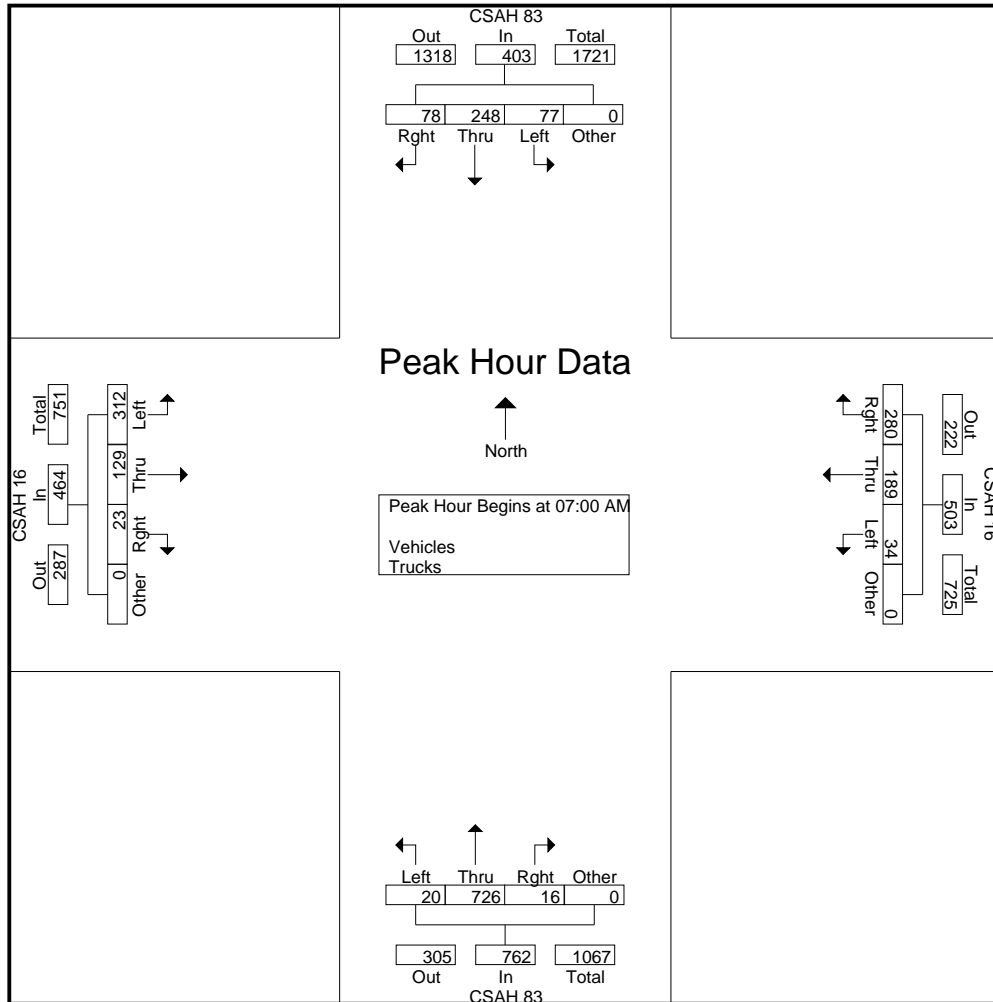
**Alliant Engineering, Inc**

233 Park Ave Suite 300  
 Minneapolis, MN 55415  
 --TRAFFIC DATA --

CSAH-83 at CSAH-16  
 Ref.Pt.: 112.716  
 data by : Alliant Inc.  
 TURN MOVEMENT COUNT

File Name : 341\_CSAH 83 & CSAH 16  
 Site Code : 341  
 Start Date : 11/8/2017  
 Page No : 3

Start Time	CSAH 83 From North					CSAH 16 From East					CSAH 83 From South					CSAH 16 From West					Int. Total
	Other	Left	Thru	Rght	App. Total	Other	Left	Thru	Rght	App. Total	Other	Left	Thru	Rght	App. Total	Other	Left	Thru	Rght	App. Total	
Peak Hour Analysis From 05:00 AM to 11:45 AM - Peak 1 of 1																					
Peak Hour for Entire Intersection Begins at 07:00 AM																					
07:00 AM	0	8	56	18	82	0	8	32	59	99	0	4	174	2	180	0	75	24	4	103	464
07:15 AM	0	8	58	23	89	0	8	58	70	136	0	5	163	4	172	0	76	33	8	117	514
07:30 AM	0	27	76	14	117	0	9	47	79	135	0	4	197	7	208	0	86	40	5	131	591
07:45 AM	0	34	58	23	115	0	9	52	72	133	0	7	192	3	202	0	75	32	6	113	563
Total Volume	0	77	248	78	403	0	34	189	280	503	0	20	726	16	762	0	312	129	23	464	2132
% App. Total	0	19.1	61.5	19.4		0	6.8	37.6	55.7		0	2.6	95.3	2.1		0	67.2	27.8	5		
PHF	.000	.566	.816	.848	.861	.000	.944	.815	.886	.925	.000	.714	.921	.571	.916	.000	.907	.806	.719	.885	.902



**Alliant Engineering, Inc**

233 Park Ave Suite 300  
 Minneapolis, MN 55415  
 --TRAFFIC DATA --

CSAH-83 at CSAH-16  
 Ref.Pt.: 112.716  
 data by : Alliant Inc.  
 TURN MOVEMENT COUNT

File Name : 341\_CSAH 83 & CSAH 16  
 Site Code : 341  
 Start Date : 11/8/2017  
 Page No : 4

Start Time	CSAH 83 From North					CSAH 16 From East					CSAH 83 From South					CSAH 16 From West					Int. Total
	Other	Left	Thru	Rght	App. Total	Other	Left	Thru	Rght	App. Total	Other	Left	Thru	Rght	App. Total	Other	Left	Thru	Rght	App. Total	
Peak Hour Analysis From 12:00 PM to 09:45 PM - Peak 1 of 1																					
Peak Hour for Entire Intersection Begins at 04:30 PM																					
04:30 PM	0	48	181	82	311	0	3	46	46	95	0	5	133	3	141	0	34	51	10	95	642
04:45 PM	1	58	175	86	320	0	6	50	19	75	0	10	123	6	139	0	36	57	8	101	635
05:00 PM	0	54	220	80	354	0	4	42	33	79	0	4	114	6	124	0	18	46	6	70	627
05:15 PM	0	48	217	75	340	0	4	47	27	78	0	10	134	6	150	0	24	43	7	74	642
Total Volume	1	208	793	323	1325	0	17	185	125	327	0	29	504	21	554	0	112	197	31	340	2546
% App. Total	0.1	15.7	59.8	24.4		0	5.2	56.6	38.2		0	5.2	91	3.8		0	32.9	57.9	9.1		
PHF	.250	.897	.901	.939	.936	.000	.708	.925	.679	.861	.000	.725	.940	.875	.923	.000	.778	.864	.775	.842	.991

