



MINNESOTA DEPT OF TRANSPORTATION

TRAFFIC DATA COLLECTION - METRO

TH-169 at TH-25, W ramps BELLE PLAINE
 Ref.Pt.: 000.010
 JAMAR # 631 RE
 TURN MOVEMENT COUNT

File Name : TH-169 at TH-25 West Ramps 2010
 Site Code : 00000000
 Start Date : 3/18/2010
 Page No : 1

Groups Printed- Cars & Trucks

Start Time	Old Hwy 169 Blvd Southbound				TH-25 / Main St. Westbound				Loop from / Ramp to SB TH-169 Northbound				TH-25 / Main St. Eastbound				Int. Total
	Left	Thru	Right	Peds	Left	Thru	Right	Peds	Left	Thru	Right	Peds	Left	Thru	Right	Peds	
05:45	2	1	5	0	0	10	2	0	5	0	1	0	2	42	1	0	71
Total	2	1	5	0	0	10	2	0	5	0	1	0	2	42	1	0	71
06:00	5	1	0	0	4	13	5	0	1	1	2	0	3	59	4	0	98
06:15	6	1	6	0	2	21	2	0	4	0	2	0	1	66	5	0	116
06:30	5	2	1	0	4	37	1	0	5	1	8	0	3	72	9	0	148
06:45	3	1	8	0	4	27	1	0	11	1	2	0	6	77	5	0	146
Total	19	5	15	0	14	98	9	0	21	3	14	0	13	274	23	0	508
07:00	5	6	3	0	6	42	7	0	10	0	3	0	6	97	13	0	198
07:15	11	2	8	0	10	75	6	0	22	0	3	0	11	81	13	0	242
07:30	3	1	3	0	13	64	5	0	19	0	6	0	10	83	13	0	220
07:45	6	5	10	0	9	66	4	0	30	0	3	0	6	86	19	1	245
Total	25	14	24	0	38	247	22	0	81	0	15	0	33	347	58	1	905
08:00	9	7	12	0	19	95	2	0	21	3	6	0	10	84	14	0	282
08:15	9	5	10	0	20	64	7	0	19	1	5	0	13	105	27	0	285
08:30	6	6	8	0	7	41	6	0	13	2	0	0	11	97	22	0	219
08:45	11	4	8	0	6	38	3	0	18	1	3	0	7	61	18	0	178
Total	35	22	38	0	52	238	18	0	71	7	14	0	41	347	81	0	964
*** BREAK ***																	
15:00	9	1	16	0	7	36	7	0	38	4	10	0	16	62	19	0	225
15:15	6	3	11	0	6	42	10	3	47	3	6	0	21	101	24	0	283
15:30	11	4	14	0	2	50	6	4	59	2	13	0	11	87	21	0	284
15:45	11	6	15	0	6	48	7	0	43	1	16	0	16	82	17	0	268
Total	37	14	56	0	21	176	30	7	187	10	45	0	64	332	81	0	1060
16:00	5	3	14	0	8	46	6	1	47	4	15	0	17	91	34	0	291
16:15	9	7	13	0	4	46	10	0	48	1	14	0	9	87	18	0	266
16:30	9	3	20	0	3	59	8	1	51	1	19	0	12	97	24	0	307
16:45	7	3	12	0	7	66	5	3	65	7	15	0	11	66	17	0	284
Total	30	16	59	0	22	217	29	5	211	13	63	0	49	341	93	0	1148
17:00	6	2	15	0	7	52	6	0	42	5	24	0	9	98	19	0	285
17:15	10	6	15	0	4	65	2	2	53	4	30	0	11	55	16	0	273
17:30	10	7	18	0	5	59	9	3	56	7	29	0	12	89	18	0	322
17:45	7	9	15	0	5	45	8	1	51	6	23	0	6	44	15	0	235
Total	33	24	63	0	21	221	25	6	202	22	106	0	38	286	68	0	1115
Grand Total	181	96	260	0	168	1207	135	18	778	55	258	0	240	1969	405	1	5771
Apprch %	33.7	17.9	48.4	0	11	79	8.8	1.2	71.3	5	23.6	0	9.2	75.3	15.5	0	
Total %	3.1	1.7	4.5	0	2.9	20.9	2.3	0.3	13.5	1	4.5	0	4.2	34.1	7	0	



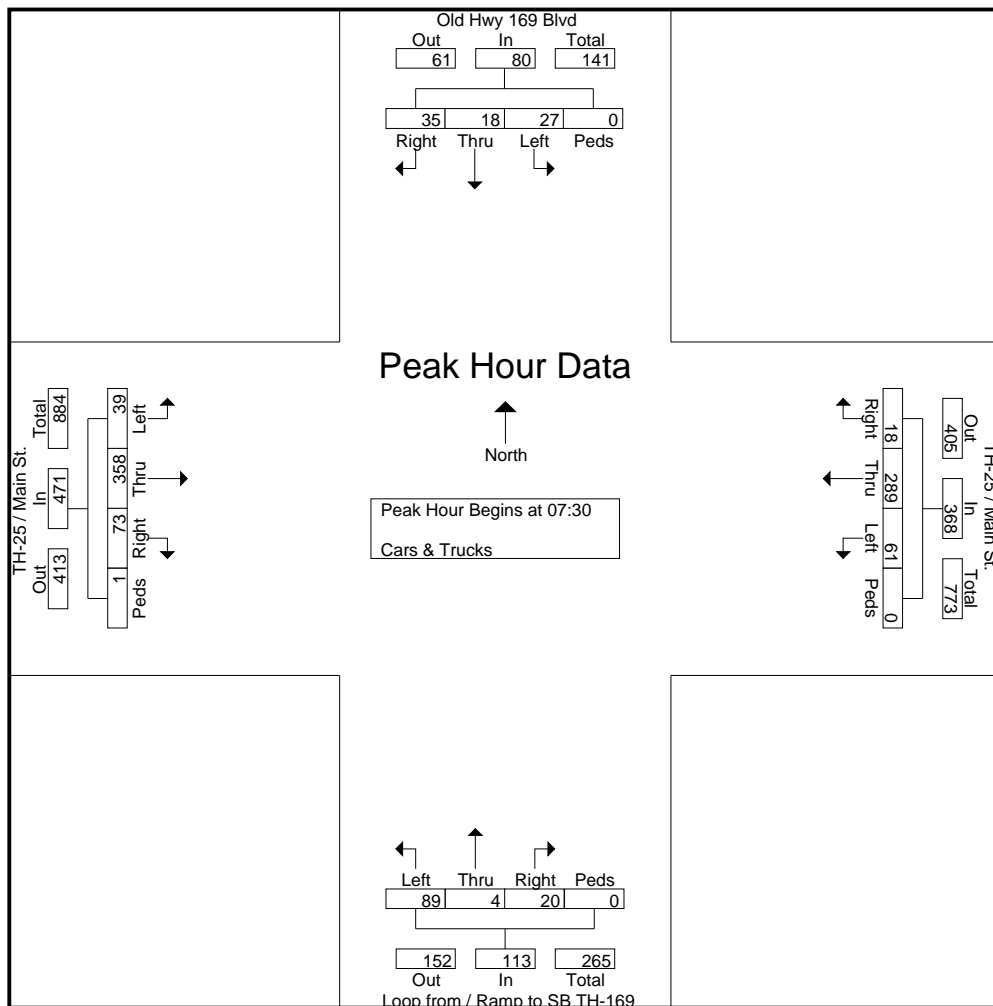
MINNESOTA DEPT OF TRANSPORTATION

TRAFFIC DATA COLLECTION - METRO

TH-169 at TH-25, W ramps BELLE PLAINE
 Ref.Pt.: 000.010
 JAMAR # 631 RE
 TURN MOVEMENT COUNT

File Name : TH-169 at TH-25 West Ramps 2010
 Site Code : 00000000
 Start Date : 3/18/2010
 Page No : 2

Start Time	Old Hwy 169 Blvd Southbound					TH-25 / Main St. Westbound					Loop from / Ramp to SB TH-169 Northbound					TH-25 / Main St. Eastbound					Int. Total
	Left	Thru	Right	Peds	App. Total	Left	Thru	Right	Peds	App. Total	Left	Thru	Right	Peds	App. Total	Left	Thru	Right	Peds	App. Total	
Peak Hour Analysis From 05:45 to 08:45 - Peak 1 of 1																					
Peak Hour for Entire Intersection Begins at 07:30																					
07:30	3	1	3	0	7	13	64	5	0	82	19	0	6	0	25	10	83	13	0	106	220
07:45	6	5	10	0	21	9	66	4	0	79	30	0	3	0	33	6	86	19	1	112	245
08:00	9	7	12	0	28	19	95	2	0	116	21	3	6	0	30	10	84	14	0	108	282
08:15	9	5	10	0	24	20	64	7	0	91	19	1	5	0	25	13	105	27	0	145	285
Total Volume	27	18	35	0	80	61	289	18	0	368	89	4	20	0	113	39	358	73	1	471	1032
% App. Total	33.8	22.5	43.8	0		16.6	78.5	4.9	0		78.8	3.5	17.7	0		8.3	76	15.5	0.2		
PHF	.750	.643	.729	.000	.714	.763	.761	.643	.000	.793	.742	.333	.833	.000	.856	.750	.852	.676	.250	.812	.905





MINNESOTA DEPT OF TRANSPORTATION

TRAFFIC DATA COLLECTION - METRO

TH-169 at TH-25, W ramps BELLE PLAINE
 Ref.Pt.: 000.010
 JAMAR # 631 RE
 TURN MOVEMENT COUNT

File Name : TH-169 at TH-25 West Ramps 2010
 Site Code : 00000000
 Start Date : 3/18/2010
 Page No : 3

Start Time	Old Hwy 169 Blvd Southbound					TH-25 / Main St. Westbound					Loop from / Ramp to SB TH-169 Northbound					TH-25 / Main St. Eastbound					Int. Total
	Left	Thru	Right	Peds	App. Total	Left	Thru	Right	Peds	App. Total	Left	Thru	Right	Peds	App. Total	Left	Thru	Right	Peds	App. Total	
Peak Hour Analysis From 15:00 to 17:45 - Peak 1 of 1																					
Peak Hour for Entire Intersection Begins at 16:45																					
16:45	7	3	12	0	22	7	66	5	3	81	65	7	15	0	87	11	66	17	0	94	284
17:00	6	2	15	0	23	7	52	6	0	65	42	5	24	0	71	9	98	19	0	126	285
17:15	10	6	15	0	31	4	65	2	2	73	53	4	30	0	87	11	55	16	0	82	273
17:30	10	7	18	0	35	5	59	9	3	76	56	7	29	0	92	12	89	18	0	119	322
Total Volume	33	18	60	0	111	23	242	22	8	295	216	23	98	0	337	43	308	70	0	421	1164
% App. Total	29.7	16.2	54.1	0		7.8	82	7.5	2.7		64.1	6.8	29.1	0		10.2	73.2	16.6	0		
PHF	.825	.643	.833	.000	.793	.821	.917	.611	.667	.910	.831	.821	.817	.000	.916	.896	.786	.921	.000	.835	.904

