



# MINNESOTA DEPT OF TRANSPORTATION

## TRAFFIC DATA COLLECTION - METRO

TH-149 at Wescott Rd.  
 Ref.Pt.: 000.834  
 JAMAR# 632 DR  
 TURN MOVEMENT COUNT

File Name : TH-149 at Wescott 2008  
 Site Code : 00000000  
 Start Date : 4/10/2008  
 Page No : 1

Groups Printed- Cars & Trucks

Start Time	TH-149 Southbound				WESCOTT RD. Westbound				TH-149 Northbound				WESCOTT RD. Eastbound				Int. Total
	Left	Thru	Right	Peds	Left	Thru	Right	Peds	Left	Thru	Right	Peds	Left	Thru	Right	Peds	
06:00	2	8	6	0	1	22	0	0	24	58	4	0	9	7	3	0	144
06:15	3	4	9	0	4	31	2	0	31	82	5	0	16	14	0	0	201
06:30	2	18	11	0	3	20	1	0	15	93	4	0	26	13	8	0	214
06:45	8	15	11	0	7	18	2	0	20	139	4	0	35	10	5	0	274
Total	15	45	37	0	15	91	5	0	90	372	17	0	86	44	16	0	833
07:00	8	16	10	0	3	23	3	0	25	145	4	0	45	15	10	0	307
07:15	1	23	4	0	4	15	4	0	30	174	3	0	53	16	13	0	340
07:30	3	20	6	0	8	7	3	0	48	227	5	0	51	15	9	0	402
07:45	3	30	12	0	3	8	1	0	26	221	10	0	56	23	8	0	401
Total	15	89	32	0	18	53	11	0	129	767	22	0	205	69	40	0	1450
08:00	3	25	12	0	4	9	3	0	29	152	7	0	53	25	16	0	338
08:15	4	24	7	0	2	3	3	0	26	110	8	0	29	13	5	0	234
08:30	1	31	11	0	2	10	1	0	12	91	4	0	17	9	5	0	194
08:45	2	42	4	0	5	10	1	0	23	87	7	0	20	10	8	0	219
Total	10	122	34	0	13	32	8	0	90	440	26	0	119	57	34	0	985
*** BREAK ***																	
15:00	10	89	13	0	3	17	2	0	11	36	5	0	13	29	31	0	259
15:15	3	67	22	0	4	13	1	0	17	45	11	0	17	33	15	0	248
15:30	8	117	32	0	8	11	0	0	20	39	3	0	18	10	25	0	291
15:45	3	91	31	0	8	13	0	0	17	35	9	0	9	14	23	0	253
Total	24	364	98	0	23	54	3	0	65	155	28	0	57	86	94	0	1051
16:00	4	119	50	0	7	18	0	0	15	19	5	0	18	21	22	0	298
16:15	3	146	38	0	12	15	1	0	14	40	9	0	21	20	18	0	337
16:30	4	152	49	0	6	25	2	0	11	31	13	0	12	19	28	0	352
16:45	4	149	43	0	7	23	1	0	16	39	10	0	20	21	37	0	370
Total	15	566	180	0	32	81	4	0	56	129	37	0	71	81	105	0	1357
17:00	7	178	55	0	6	19	4	0	13	40	12	0	14	26	25	0	399
17:15	6	168	76	0	7	22	0	0	10	47	12	0	29	27	28	0	432
17:30	4	140	61	0	6	24	3	0	13	34	7	0	21	28	25	0	366
17:45	0	120	51	0	3	23	1	0	19	50	8	0	20	16	22	0	333
Total	17	606	243	0	22	88	8	0	55	171	39	0	84	97	100	0	1530
Grand Total	96	1792	624	0	123	399	39	0	485	2034	169	0	622	434	389	0	7206
Apprch %	3.8	71.3	24.8	0	21.9	71.1	7	0	18	75.7	6.3	0	43	30	26.9	0	
Total %	1.3	24.9	8.7	0	1.7	5.5	0.5	0	6.7	28.2	2.3	0	8.6	6	5.4	0	



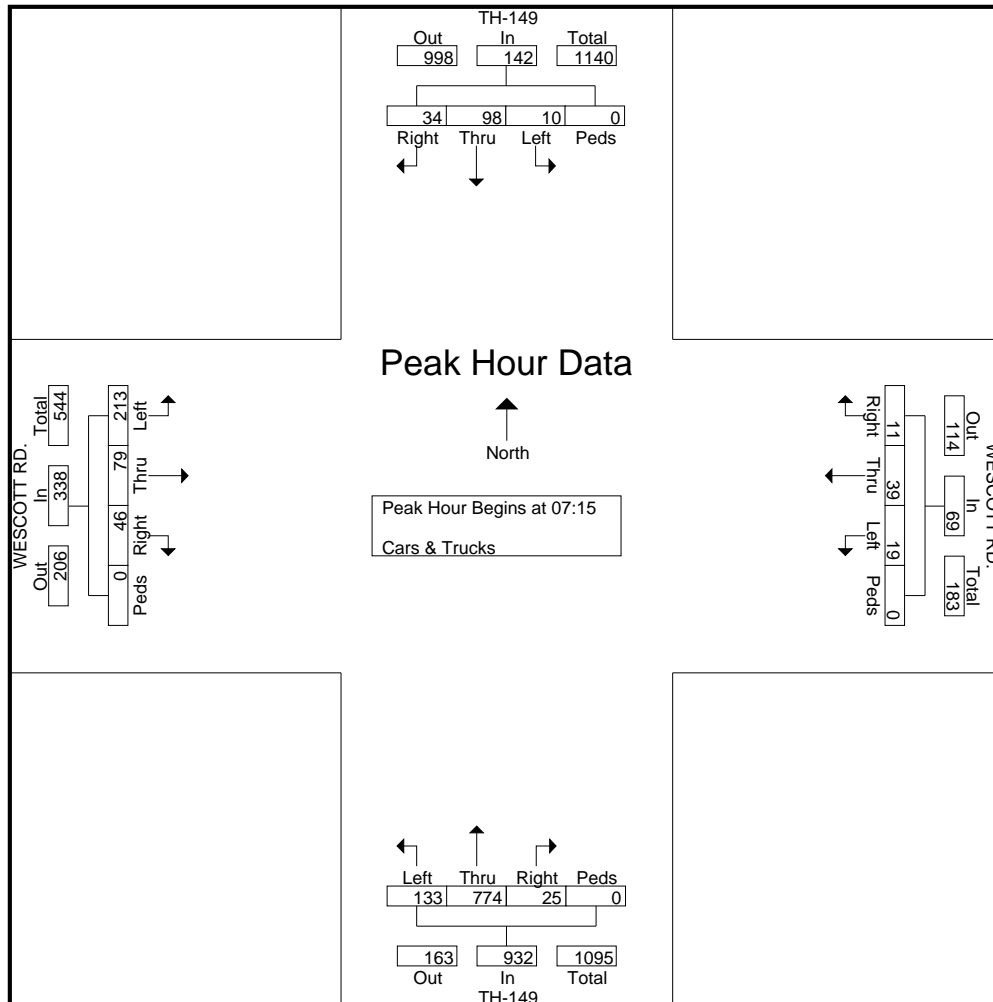
# MINNESOTA DEPT OF TRANSPORTATION

TRAFFIC DATA COLLECTION - METRO

TH-149 at Wescott Rd.  
 Ref.Pt.: 000.834  
 JAMAR# 632 DR  
 TURN MOVEMENT COUNT

File Name : TH-149 at Wescott 2008  
 Site Code : 00000000  
 Start Date : 4/10/2008  
 Page No : 2

Start Time	TH-149 Southbound					WESCOTT RD. Westbound					TH-149 Northbound					WESCOTT RD. Eastbound					Int. Total
	Left	Thru	Right	Peds	App. Total	Left	Thru	Right	Peds	App. Total	Left	Thru	Right	Peds	App. Total	Left	Thru	Right	Peds	App. Total	
<b>Peak Hour Analysis From 06:00 to 08:45 - Peak 1 of 1</b>																					
Peak Hour for Entire Intersection Begins at 07:15																					
07:15	1	23	4	0	28	4	15	4	0	23	30	174	3	0	207	53	16	13	0	82	340
07:30	3	20	6	0	29	8	7	3	0	18	48	227	5	0	280	51	15	9	0	75	402
07:45	3	30	12	0	45	3	8	1	0	12	26	221	10	0	257	56	23	8	0	87	401
08:00	3	25	12	0	40	4	9	3	0	16	29	152	7	0	188	53	25	16	0	94	338
Total Volume	10	98	34	0	142	19	39	11	0	69	133	774	25	0	932	213	79	46	0	338	1481
% App. Total																					
PHF	.833	.817	.708	.000	.789	.594	.650	.688	.000	.750	.693	.852	.625	.000	.832	.951	.790	.719	.000	.899	.921





# MINNESOTA DEPT OF TRANSPORTATION

TRAFFIC DATA COLLECTION - METRO

TH-149 at Wescott Rd.  
 Ref.Pt.: 000.834  
 JAMAR# 632 DR  
 TURN MOVEMENT COUNT

File Name : TH-149 at Wescott 2008  
 Site Code : 00000000  
 Start Date : 4/10/2008  
 Page No : 3

Start Time	TH-149 Southbound					WESCOTT RD. Westbound					TH-149 Northbound					WESCOTT RD. Eastbound					Int. Total
	Left	Thru	Right	Peds	App. Total	Left	Thru	Right	Peds	App. Total	Left	Thru	Right	Peds	App. Total	Left	Thru	Right	Peds	App. Total	
Peak Hour Analysis From 15:00 to 17:45 - Peak 1 of 1																					
Peak Hour for Entire Intersection Begins at 16:45																					
16:45	4	149	43	0	196	7	23	1	0	31	16	39	10	0	65	20	21	37	0	78	370
17:00	7	178	55	0	240	6	19	4	0	29	13	40	12	0	65	14	26	25	0	65	399
17:15	6	168	76	0	250	7	22	0	0	29	10	47	12	0	69	29	27	28	0	84	432
17:30	4	140	61	0	205	6	24	3	0	33	13	34	7	0	54	21	28	25	0	74	366
Total Volume	21	635	235	0	891	26	88	8	0	122	52	160	41	0	253	84	102	115	0	301	1567
% App. Total																					
PHF	.750	.892	.773	.000	.891	.929	.917	.500	.000	.924	.813	.851	.854	.000	.917	.724	.911	.777	.000	.896	.907

