

TRAFFIC DATA INC.

3268 Xenwood Ave S
St Louis Park, MN 55416

TH-13 at Portland Ave S BURNSVILLE

Ref.Pt.: 098.582

data by: Traffic Data Inc

TURN MOVEMENT COUNT

File Name : th-13 at portland ave s 2009

Site Code : 01829130

Start Date : 5/7/2009

Page No : 1

Groups Printed- Unshifted

Start Time	Portland Ave S Southbound				TH-13 Westbound				Portland Ave S Northbound				TH-13 Eastbound				Int. Total
	Left	Thru	Right	Peds	Left	Thru	Right	Peds	Left	Thru	Right	Peds	Left	Thru	Right	Peds	
06:00	0	1	4	0	2	126	1	0	5	3	5	0	9	135	1	0	292
06:15	1	2	3	1	0	159	5	0	9	11	6	0	10	185	5	0	397
06:30	3	0	2	0	2	199	8	0	17	13	19	0	10	238	4	0	515
06:45	4	9	12	6	4	242	17	0	15	56	11	0	43	249	12	0	680
Total	8	12	21	7	8	726	31	0	46	83	41	0	72	807	22	0	1884
07:00	4	32	38	2	1	231	31	1	13	166	8	0	91	282	3	0	903
07:15	10	27	36	3	5	303	9	0	16	98	9	0	41	363	10	0	930
07:30	3	6	6	1	4	255	88	2	19	20	18	0	13	379	12	0	826
07:45	3	6	4	3	7	290	14	1	19	26	16	0	19	389	15	0	812
Total	20	71	84	9	17	1079	142	4	67	310	51	0	164	1413	40	0	3471
08:00	1	6	11	0	3	239	16	1	14	41	17	3	22	310	15	1	700
08:15	2	6	12	0	8	248	8	2	14	21	15	0	20	309	8	0	673
08:30	3	6	4	0	8	249	8	0	15	14	8	0	14	281	8	1	619
08:45	1	2	3	0	13	250	5	0	12	18	18	0	14	285	12	1	634
Total	7	20	30	0	32	986	37	3	55	94	58	3	70	1185	43	3	2626
*** BREAK ***																	
11:00	5	19	18	0	7	193	6	0	14	15	8	0	10	169	15	0	479
11:15	2	17	15	0	8	184	9	0	17	42	7	0	22	206	20	0	549
11:30	8	9	20	0	8	184	3	0	17	7	17	0	6	177	10	0	466
11:45	1	11	19	1	12	188	6	0	10	17	14	0	9	199	17	0	504
Total	16	56	72	1	35	749	24	0	58	81	46	0	47	751	62	0	1998
12:00	4	10	15	0	13	239	9	0	16	10	13	0	11	222	10	0	572
12:15	7	8	18	0	2	225	5	0	11	21	13	0	20	191	7	0	528
12:30	2	15	15	0	15	221	3	0	5	15	16	0	10	233	14	0	564
12:45	3	9	14	1	15	175	5	1	12	17	13	0	17	188	21	0	491
Total	16	42	62	1	45	860	22	1	44	63	55	0	58	834	52	0	2155
*** BREAK ***																	
15:00	9	14	31	1	18	286	5	0	11	13	16	0	21	280	10	0	715
15:15	8	11	18	0	9	288	12	0	17	7	18	0	19	249	13	0	669
15:30	2	10	17	0	15	318	4	0	16	4	11	0	9	288	24	0	718
15:45	3	14	16	0	13	376	4	3	9	10	9	0	13	314	12	0	796
Total	22	49	82	1	55	1268	25	3	53	34	54	0	62	1131	59	0	2898
16:00	3	16	29	0	15	382	3	0	10	7	13	0	12	300	13	0	803
16:15	5	16	34	3	16	383	2	1	13	9	10	0	23	337	13	0	865
16:30	10	12	23	0	17	399	6	0	24	6	12	1	19	350	11	0	890
16:45	5	10	34	1	18	456	9	0	5	8	15	0	22	311	17	0	911
Total	23	54	120	4	66	1620	20	1	52	30	50	1	76	1298	54	0	3469
17:00	15	25	37	1	27	478	4	0	18	3	18	0	15	287	27	0	955
17:15	11	13	31	1	15	455	16	3	4	12	15	1	25	246	13	2	863
17:30	18	20	51	3	19	399	10	1	13	15	14	0	28	316	9	0	916
17:45	10	10	24	0	22	409	7	0	12	9	11	0	17	395	18	0	944
Total	54	68	143	5	83	1741	37	4	47	39	58	1	85	1244	67	2	3678
Grand Total	166	372	614	28	341	9029	338	16	422	734	413	5	634	8663	399	5	22179
Apprch %	14.1	31.5	52	2.4	3.5	92.9	3.5	0.2	26.8	46.6	26.2	0.3	6.5	89.3	4.1	0.1	
Total %	0.7	1.7	2.8	0.1	1.5	40.7	1.5	0.1	1.9	3.3	1.9	0	2.9	39.1	1.8	0	

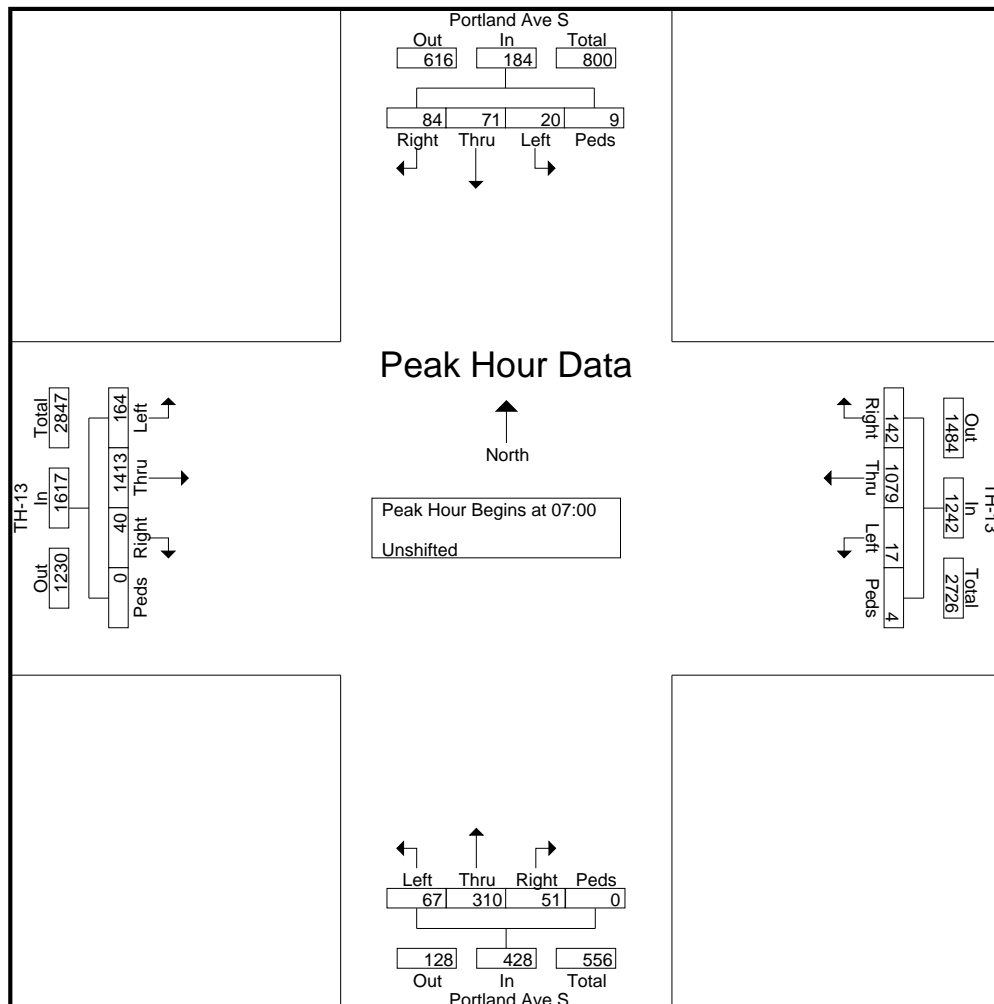
TRAFFIC DATA INC.

3268 Xenwood Ave S
St Louis Park, MN 55416

TH-13 at Portland Ave S BURNSVILLE
Ref.Pt.: 098.582
data by: Traffic Data Inc
TURN MOVEMENT COUNT

File Name : th-13 at portland ave s 2009
Site Code : 01829130
Start Date : 5/7/2009
Page No : 2

Start Time	Portland Ave S Southbound					TH-13 Westbound					Portland Ave S Northbound					TH-13 Eastbound					Int. Total
	Left	Thru	Right	Peds	App. Total	Left	Thru	Right	Peds	App. Total	Left	Thru	Right	Peds	App. Total	Left	Thru	Right	Peds	App. Total	
Peak Hour Analysis From 06:00 to 08:45 - Peak 1 of 1																					
Peak Hour for Entire Intersection Begins at 07:00																					
07:00	4	32	38	2	76	1	231	31	1	264	13	166	8	0	187	91	282	3	0	376	903
07:15	10	27	36	3	76	5	303	9	0	317	16	98	9	0	123	41	363	10	0	414	930
07:30	3	6	6	1	16	4	255	88	2	349	19	20	18	0	57	13	379	12	0	404	826
07:45	3	6	4	3	16	7	290	14	1	312	19	26	16	0	61	19	389	15	0	423	812
Total Volume	20	71	84	9	184	17	1079	142	4	1242	67	310	51	0	428	164	1413	40	0	1617	3471
% App. Total	10.9	38.6	45.7	4.9		1.4	86.9	11.4	0.3		15.7	72.4	11.9	0		10.1	87.4	2.5	0		
PHF	.500	.555	.553	.750	.605	.607	.890	.403	.500	.890	.882	.467	.708	.000	.572	.451	.908	.667	.000	.956	.933



TRAFFIC DATA INC.

3268 Xenwood Ave S
St Louis Park, MN 55416

TH-13 at Portland Ave S BURNSVILLE
Ref.Pt.: 098.582
data by: Traffic Data Inc
TURN MOVEMENT COUNT

File Name : th-13 at portland ave s 2009
Site Code : 01829130
Start Date : 5/7/2009
Page No : 3

Start Time	Portland Ave S Southbound					TH-13 Westbound					Portland Ave S Northbound					TH-13 Eastbound					Int. Total
	Left	Thru	Right	Peds	App. Total	Left	Thru	Right	Peds	App. Total	Left	Thru	Right	Peds	App. Total	Left	Thru	Right	Peds	App. Total	
Peak Hour Analysis From 15:00 to 17:45 - Peak 1 of 1																					
Peak Hour for Entire Intersection Begins at 17:00																					
17:00	15	25	37	1	78	27	478	4	0	509	18	3	18	0	39	15	287	27	0	329	955
17:15	11	13	31	1	56	15	455	16	3	489	4	12	15	1	32	25	246	13	2	286	863
17:30	18	20	51	3	92	19	399	10	1	429	13	15	14	0	42	28	316	9	0	353	916
17:45	10	10	24	0	44	22	409	7	0	438	12	9	11	0	32	17	395	18	0	430	944
Total Volume	54	68	143	5	270	83	1741	37	4	1865	47	39	58	1	145	85	1244	67	2	1398	3678
% App. Total	20	25.2	53	1.9		4.5	93.4	2	0.2		32.4	26.9	40	0.7		6.1	89	4.8	0.1		
PHF	.750	.680	.701	.417	.734	.769	.911	.578	.333	.916	.653	.650	.806	.250	.863	.759	.787	.620	.250	.813	.963

