



MINNESOTA DEPT OF TRANSPORTATION

TRAFFIC DATA COLLECTION - METRO

TH-13 at 150th St. PRIOR LAKE
 Ref.Pt.: 087.348
 Video MR
 TURN MOVEMENT COUNT

File Name : TH-13 at 150th St 2013
 Site Code :
 Start Date : 11/19/2013
 Page No : 1

Groups Printed- Cars +

Start Time	TH-13 Southbound				150th St Westbound				TH-13 Northbound				150th St Eastbound				Int. Total	
	Right	Thru	Left	Peds	Right	Thru	Left	Peds	Right	Thru	Left	Peds	Right	Thru	Left	Peds		
06:00	0	18	2	0	4	0	1	0	3	117	0	0	0	0	0	9	0	154
06:15	1	33	11	0	2	0	1	0	1	147	0	0	0	0	4	8	0	208
06:30	2	49	4	0	4	0	1	0	6	162	0	0	0	5	5	0	0	238
06:45	0	89	24	0	2	2	2	0	20	215	0	0	1	3	9	0	0	367
Total	3	189	41	0	12	2	5	0	30	641	0	0	1	12	31	0	0	967
07:00	2	102	31	0	5	2	4	0	27	225	0	0	1	2	7	0	0	408
07:15	4	87	49	0	4	0	1	0	62	271	2	0	1	2	3	0	0	486
07:30	5	74	64	0	7	1	0	0	64	210	1	0	0	1	4	0	0	431
07:45	10	94	80	0	8	0	1	0	89	191	1	0	3	1	2	0	0	480
Total	21	357	224	0	24	3	6	0	242	897	4	0	5	6	16	0	0	1805
08:00	4	80	39	0	16	3	9	0	42	181	2	0	0	2	1	0	0	379
08:15	6	93	41	0	45	0	10	0	27	173	1	0	0	1	5	0	0	402
08:30	5	93	6	0	12	0	5	0	9	197	0	0	1	2	6	0	0	336
08:45	5	84	8	0	2	0	2	0	7	151	1	0	0	1	6	0	0	267
Total	20	350	94	0	75	3	26	0	85	702	4	0	1	6	18	0	0	1384
*****BREAK*****																		
15:00	17	154	23	0	6	2	20	0	26	163	0	0	1	5	1	0	0	418
15:15	24	195	34	0	10	3	13	0	13	168	2	0	3	1	2	0	0	468
15:30	24	197	43	0	17	3	10	0	20	175	1	0	3	2	9	0	0	504
15:45	14	207	42	0	22	2	7	0	23	159	2	0	0	1	8	0	0	487
Total	79	753	142	0	55	10	50	0	82	665	5	0	7	9	20	0	0	1877
16:00	17	210	32	0	13	2	8	0	10	171	4	0	3	0	3	0	0	473
16:15	25	212	30	0	7	1	7	0	14	133	2	0	0	2	5	0	0	438
16:30	26	227	40	0	4	2	5	0	9	174	4	0	1	1	6	0	0	499
16:45	30	225	37	0	10	2	1	0	8	150	0	0	1	1	5	0	0	470
Total	98	874	139	0	34	7	21	0	41	628	10	0	5	4	19	0	0	1880
17:00	26	262	42	0	2	5	2	0	18	136	2	0	1	0	6	0	0	502
17:15	21	216	47	0	4	4	1	0	17	191	1	0	0	0	1	0	0	503
17:30	29	216	44	0	4	3	5	0	9	146	0	0	0	1	3	0	0	460
17:45	23	237	61	0	6	0	5	0	17	149	1	0	2	3	3	0	0	507
Total	99	931	194	0	16	12	13	0	61	622	4	0	3	4	13	0	0	1972
Grand Total	320	3454	834	0	216	37	121	0	541	4155	27	0	22	41	117	0	0	9885
Apprch %	6.9	75	18.1	0	57.8	9.9	32.4	0	11.5	88	0.6	0	12.2	22.8	65	0	0	
Total %	3.2	34.9	8.4	0	2.2	0.4	1.2	0	5.5	42	0.3	0	0.2	0.4	1.2	0	0	



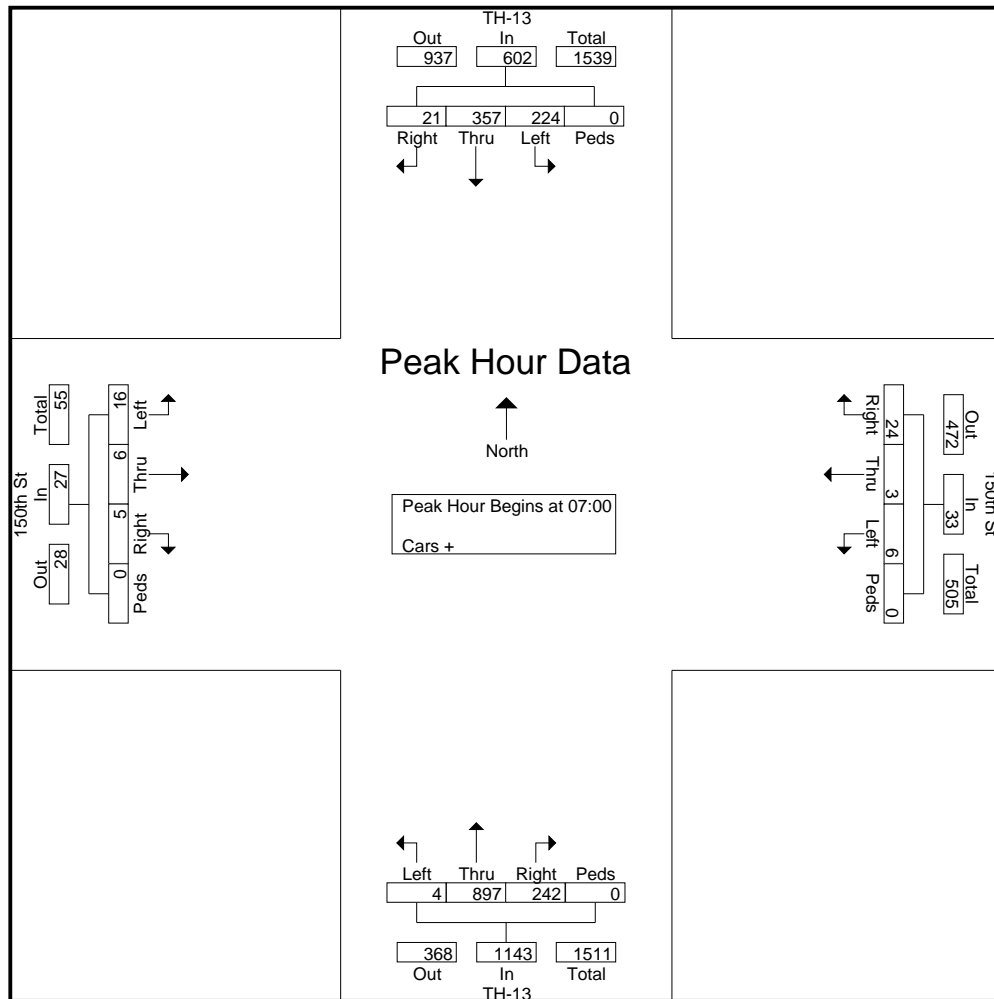
MINNESOTA DEPT OF TRANSPORTATION

TRAFFIC DATA COLLECTION - METRO

TH-13 at 150th St. PRIOR LAKE
 Ref.Pt.: 087.348
 Video MR
 TURN MOVEMENT COUNT

File Name : TH-13 at 150th St 2013
 Site Code :
 Start Date : 11/19/2013
 Page No : 2

Start Time	TH-13 Southbound					150th St Westbound					TH-13 Northbound					150th St Eastbound					Int. Total
	Right	Thru	Left	Peds	App. Total	Right	Thru	Left	Peds	App. Total	Right	Thru	Left	Peds	App. Total	Right	Thru	Left	Peds	App. Total	
Peak Hour Analysis From 06:00 to 08:45 - Peak 1 of 1																					
Peak Hour for Entire Intersection Begins at 07:00																					
07:00	2	102	31	0	135	5	2	4	0	11	27	225	0	0	252	1	2	7	0	10	408
07:15	4	87	49	0	140	4	0	1	0	5	62	271	2	0	335	1	2	3	0	6	486
07:30	5	74	64	0	143	7	1	0	0	8	64	210	1	0	275	0	1	4	0	5	431
07:45	10	94	80	0	184	8	0	1	0	9	89	191	1	0	281	3	1	2	0	6	480
Total Volume	21	357	224	0	602	24	3	6	0	33	242	897	4	0	1143	5	6	16	0	27	1805
% App. Total	3.5	59.3	37.2	0		72.7	9.1	18.2	0		21.2	78.5	0.3	0		18.5	22.2	59.3	0		
PHF	.525	.875	.700	.000	.818	.750	.375	.375	.000	.750	.680	.827	.500	.000	.853	.417	.750	.571	.000	.675	.928





MINNESOTA DEPT OF TRANSPORTATION

TRAFFIC DATA COLLECTION - METRO

TH-13 at 150th St. PRIOR LAKE
 Ref.Pt.: 087.348
 Video MR
 TURN MOVEMENT COUNT

File Name : TH-13 at 150th St 2013
 Site Code :
 Start Date : 11/19/2013
 Page No : 3

Start Time	TH-13 Southbound					150th St Westbound					TH-13 Northbound					150th St Eastbound					Int. Total
	Rig ht	Thr u	Left	Ped s	App. Total	Rig ht	Thr u	Left	Ped s	App. Total	Right	Thr u	Left	Peds	App. Total	Right	Thr u	Left	Peds	App. Total	
Peak Hour Analysis From 15:00 to 17:45 - Peak 1 of 1																					
Peak Hour for Entire Intersection Begins at 16:30																					
16:30	26	227	40	0	293	4	2	5	0	11	9	174	4	0	187	1	1	6	0	8	499
16:45	30	225	37	0	292	10	2	1	0	13	8	150	0	0	158	1	1	5	0	7	470
17:00	26	262	42	0	330	2	5	2	0	9	18	136	2	0	156	1	0	6	0	7	502
17:15	21	216	47	0	284	4	4	1	0	9	17	191	1	0	209	0	0	1	0	1	503
Total Volume	103	930	166	0	1199	20	13	9	0	42	52	651	7	0	710	3	2	18	0	23	1974
% App. Total	8.6	77.6	13.8	0		47.6	31	21.4	0		7.3	91.7	1	0		13	8.7	78.3	0		
PHF	.858	.887	.883	.000	.908	.500	.650	.450	.000	.808	.722	.852	.438	.000	.849	.750	.500	.750	.000	.719	.981

