



# MINNESOTA DEPT OF TRANSPORTATION

## TRAFFIC DATA COLLECTION - METRO

TH-13 at Green Oaks Trail / 152nd St W  
 Ref.Pt.: 086.898 Prior Lake  
 JAMAR # T-2638 CH  
 TURN MOVEMENT COUNT

File Name : TH-13 at Green Oaks Trail 2010  
 Site Code : 00000000  
 Start Date : 3/10/2010  
 Page No : 1

### Groups Printed- Cars & Trucks

Start Time	TH-13 Southbound				152nd St W Westbound				TH-13 Northbound				Green Oaks Trail Eastbound				Int. Total
	Left	Thru	Right	Peds	Left	Thru	Right	Peds	Left	Thru	Right	Peds	Left	Thru	Right	Peds	
06:00	0	21	0	0	2	0	2	0	0	92	0	0	1	0	0	0	118
06:15	0	18	0	0	1	0	1	0	1	133	1	0	2	0	0	0	157
06:30	0	38	0	0	0	0	4	0	0	182	0	0	1	0	1	0	226
06:45	1	59	0	0	2	0	0	0	0	178	0	0	1	0	3	0	244
<b>Total</b>	<b>1</b>	<b>136</b>	<b>0</b>	<b>0</b>	<b>5</b>	<b>0</b>	<b>7</b>	<b>0</b>	<b>1</b>	<b>585</b>	<b>1</b>	<b>0</b>	<b>5</b>	<b>0</b>	<b>4</b>	<b>0</b>	<b>745</b>
07:00	3	102	2	0	1	0	0	0	0	258	4	0	1	0	2	0	373
07:15	0	60	0	0	5	0	1	0	1	266	2	0	2	0	0	0	337
07:30	0	59	0	0	0	0	0	0	0	252	0	0	3	1	0	0	315
07:45	0	71	0	0	2	0	0	0	0	256	1	0	3	0	1	0	334
<b>Total</b>	<b>3</b>	<b>292</b>	<b>2</b>	<b>0</b>	<b>8</b>	<b>0</b>	<b>1</b>	<b>0</b>	<b>1</b>	<b>1032</b>	<b>7</b>	<b>0</b>	<b>9</b>	<b>1</b>	<b>3</b>	<b>0</b>	<b>1359</b>
08:00	0	89	0	0	4	0	1	0	2	146	1	0	1	0	0	0	244
08:15	1	98	1	0	9	0	0	0	4	221	0	0	1	0	1	0	336
08:30	0	75	0	0	0	0	1	0	1	201	2	0	4	0	1	0	285
08:45	2	74	0	0	3	0	1	0	1	122	1	0	0	0	1	0	205
<b>Total</b>	<b>3</b>	<b>336</b>	<b>1</b>	<b>0</b>	<b>16</b>	<b>0</b>	<b>3</b>	<b>0</b>	<b>8</b>	<b>690</b>	<b>4</b>	<b>0</b>	<b>6</b>	<b>0</b>	<b>3</b>	<b>0</b>	<b>1070</b>
*** BREAK ***																	
14:45	0	158	0	0	1	0	1	0	0	118	3	0	2	0	2	0	285
<b>Total</b>	<b>0</b>	<b>158</b>	<b>0</b>	<b>0</b>	<b>1</b>	<b>0</b>	<b>1</b>	<b>0</b>	<b>0</b>	<b>118</b>	<b>3</b>	<b>0</b>	<b>2</b>	<b>0</b>	<b>2</b>	<b>0</b>	<b>285</b>
15:00	1	192	0	0	6	0	0	0	0	149	2	0	1	1	1	0	353
15:15	1	177	4	0	5	0	1	0	0	136	0	0	1	0	1	0	326
15:30	0	173	3	0	4	0	2	0	3	147	1	0	0	0	1	0	334
15:45	0	208	2	0	4	0	0	0	1	146	3	0	2	0	2	1	369
<b>Total</b>	<b>2</b>	<b>750</b>	<b>9</b>	<b>0</b>	<b>19</b>	<b>0</b>	<b>3</b>	<b>0</b>	<b>4</b>	<b>578</b>	<b>6</b>	<b>0</b>	<b>4</b>	<b>1</b>	<b>5</b>	<b>1</b>	<b>1382</b>
16:00	3	179	2	0	2	0	6	0	0	134	3	0	1	0	0	0	330
16:15	0	210	2	0	2	0	0	0	3	120	6	1	0	0	1	0	345
16:30	3	208	0	0	5	0	2	0	0	122	3	0	0	0	1	0	344
16:45	2	239	3	0	2	0	4	0	2	140	0	0	2	0	1	0	395
<b>Total</b>	<b>8</b>	<b>836</b>	<b>7</b>	<b>0</b>	<b>11</b>	<b>0</b>	<b>12</b>	<b>0</b>	<b>5</b>	<b>516</b>	<b>12</b>	<b>1</b>	<b>3</b>	<b>0</b>	<b>3</b>	<b>0</b>	<b>1414</b>
17:00	0	258	1	0	5	0	0	0	1	144	7	0	2	0	4	0	422
17:15	1	266	4	0	2	0	1	0	4	136	4	0	2	1	3	0	424
17:30	1	217	4	0	5	0	1	0	0	119	3	0	1	0	1	0	352
17:45	1	249	2	0	3	0	2	0	0	109	1	0	1	0	1	0	369
<b>Total</b>	<b>3</b>	<b>990</b>	<b>11</b>	<b>0</b>	<b>15</b>	<b>0</b>	<b>4</b>	<b>0</b>	<b>5</b>	<b>508</b>	<b>15</b>	<b>0</b>	<b>6</b>	<b>1</b>	<b>9</b>	<b>0</b>	<b>1567</b>
<b>Grand Total</b>	<b>20</b>	<b>3498</b>	<b>30</b>	<b>0</b>	<b>75</b>	<b>0</b>	<b>31</b>	<b>0</b>	<b>24</b>	<b>4027</b>	<b>48</b>	<b>1</b>	<b>35</b>	<b>3</b>	<b>29</b>	<b>1</b>	<b>7822</b>
Apprch %	0.6	98.6	0.8	0	70.8	0	29.2	0	0.6	98.2	1.2	0	51.5	4.4	42.6	1.5	
Total %	0.3	44.7	0.4	0	1	0	0.4	0	0.3	51.5	0.6	0	0.4	0	0.4	0	



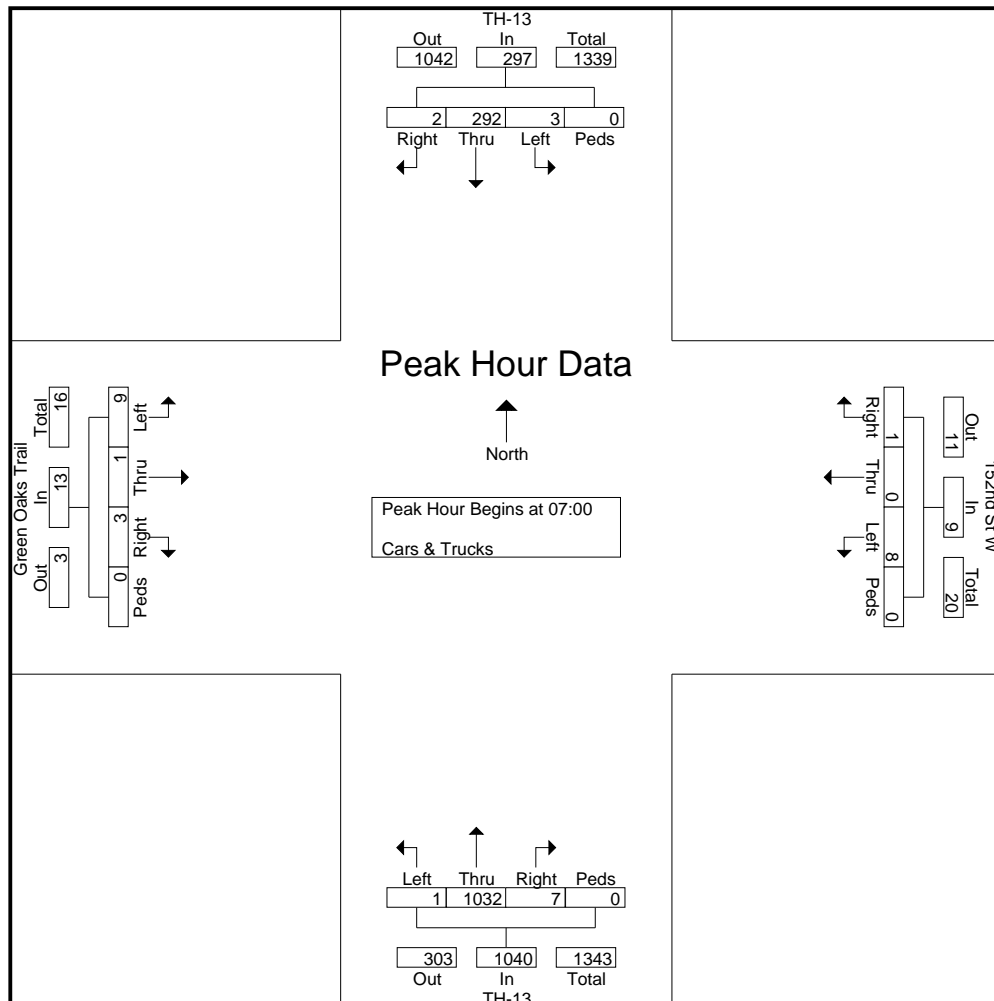
# MINNESOTA DEPT OF TRANSPORTATION

## TRAFFIC DATA COLLECTION - METRO

TH-13 at Green Oaks Trail / 152nd St W  
 Ref.Pt.: 086.898 Prior Lake  
 JAMAR # T-2638 CH  
 TURN MOVEMENT COUNT

File Name : TH-13 at Green Oaks Trail 2010  
 Site Code : 00000000  
 Start Date : 3/10/2010  
 Page No : 2

Start Time	TH-13 Southbound					152nd St W Westbound					TH-13 Northbound					Green Oaks Trail Eastbound					Int. Total
	Left	Thru	Right	Peds	App. Total	Left	Thru	Right	Peds	App. Total	Left	Thru	Right	Peds	App. Total	Left	Thru	Right	Peds	App. Total	
Peak Hour Analysis From 06:00 to 08:45 - Peak 1 of 1																					
Peak Hour for Entire Intersection Begins at 07:00																					
07:00	3	102	2	0	107	1	0	0	0	1	0	258	4	0	262	1	0	2	0	3	373
07:15	0	60	0	0	60	5	0	1	0	6	1	266	2	0	269	2	0	0	0	2	337
07:30	0	59	0	0	59	0	0	0	0	0	0	252	0	0	252	3	1	0	0	4	315
07:45	0	71	0	0	71	2	0	0	0	2	0	256	1	0	257	3	0	1	0	4	334
Total Volume	3	292	2	0	297	8	0	1	0	9	1	1032	7	0	1040	9	1	3	0	13	1359
% App. Total	1	98.3	0.7	0		88.9	0	11.1	0		0.1	99.2	0.7	0		69.2	7.7	23.1	0		
PHF	.250	.716	.250	.000	.694	.400	.000	.250	.000	.375	.250	.970	.438	.000	.967	.750	.250	.375	.000	.813	.911





# MINNESOTA DEPT OF TRANSPORTATION

## TRAFFIC DATA COLLECTION - METRO

TH-13 at Green Oaks Trail / 152nd St W  
 Ref.Pt.: 086.898 Prior Lake  
 JAMAR # T-2638 CH  
 TURN MOVEMENT COUNT

File Name : TH-13 at Green Oaks Trail 2010  
 Site Code : 00000000  
 Start Date : 3/10/2010  
 Page No : 3

Start Time	TH-13 Southbound					152nd St W Westbound					TH-13 Northbound					Green Oaks Trail Eastbound					Int. Total
	Left	Thru	Right	Peds	App. Total	Left	Thru	Right	Peds	App. Total	Left	Thru	Right	Peds	App. Total	Left	Thru	Right	Peds	App. Total	

Peak Hour Analysis From 14:45 to 17:45 - Peak 1 of 1  
 Peak Hour for Entire Intersection Begins at 16:45

16:45	2	239	3	0	244	2	0	4	0	6	2	140	0	0	142	2	0	1	0	3	395
17:00	0	258	1	0	259	5	0	0	0	5	1	144	7	0	152	2	0	4	0	6	422
17:15	1	266	4	0	271	2	0	1	0	3	4	136	4	0	144	2	1	3	0	6	424
17:30	1	217	4	0	222	5	0	1	0	6	0	119	3	0	122	1	0	1	0	2	352
Total Volume	4	980	12	0	996	14	0	6	0	20	7	539	14	0	560	7	1	9	0	17	1593
% App. Total	0.4	98.4	1.2	0		70	0	30	0		1.2	96.2	2.5	0		41.2	5.9	52.9	0		
PHF	.500	.921	.750	.000	.919	.700	.000	.375	.000	.833	.438	.936	.500	.000	.921	.875	.250	.563	.000	.708	.939

