

MN Dept of Transportation

TRAFFIC DATA COLLECTION - Metro

TH-120 at 17th Street N
 Ref.Pt.: 003.927
 video ZY
 TURN MOVEMENT COUNT

File Name : TH-120 at 17th St N 2016
 Site Code :
 Start Date : 5/11/2016
 Page No : 1

Groups Printed- Cars +

Start Time	TH-120 / Century Ave Southbound				17th St N Westbound				TH-120 / Century Ave Northbound				17th St N Eastbound				Int. Total
	Left	Thru	Right	Peds	Left	Thru	Right	Peds	Left	Thru	Right	Peds	Left	Thru	Right	Peds	
06:00	1	37	0	0	0	0	1	0	0	38	0	0	0	0	0	0	77
06:15	0	78	0	0	0	0	0	0	0	55	0	0	0	0	0	0	133
06:30	0	94	0	0	0	0	2	0	0	63	1	0	0	0	0	0	160
06:45	0	129	0	0	1	0	1	0	0	63	0	0	0	0	1	0	195
Total	1	338	0	0	1	0	4	0	0	219	1	0	0	0	1	0	565
07:00	2	125	0	0	1	0	1	0	0	80	1	0	0	0	0	0	210
07:15	0	139	0	0	0	0	1	0	0	110	0	0	0	0	0	0	250
07:30	0	171	0	0	0	0	2	1	1	110	1	0	0	0	1	0	287
07:45	0	191	0	0	3	0	2	0	0	89	2	0	0	0	0	0	287
Total	2	626	0	0	4	0	6	1	1	389	4	0	0	0	1	0	1034
08:00	0	145	0	0	1	0	2	0	0	100	0	0	0	0	1	0	249
08:15	0	119	0	0	1	0	0	0	0	86	1	0	0	0	0	0	207
08:30	0	122	0	0	1	0	0	2	0	116	0	0	1	0	0	0	242
08:45	0	122	0	0	2	0	1	0	0	84	0	0	0	0	0	0	209
Total	0	508	0	0	5	0	3	2	0	386	1	0	1	0	1	0	907
09:00	1	108	0	0	0	0	1	0	0	104	0	0	0	0	0	0	214
09:15	0	95	0	0	0	0	2	0	0	89	0	0	0	0	0	0	186
09:30	2	100	0	0	1	0	0	0	0	84	1	0	0	0	0	0	188
09:45	0	101	0	0	1	0	0	0	0	77	0	0	0	0	0	1	180
Total	3	404	0	0	2	0	3	0	0	354	1	0	0	0	0	1	768
10:00	0	65	1	0	0	0	1	0	0	69	0	0	0	0	0	0	136
10:15	0	72	0	0	1	0	3	0	0	79	0	0	1	0	0	1	157
10:30	0	94	0	0	0	0	1	0	0	79	0	0	0	0	0	0	174
10:45	0	109	0	0	1	0	1	0	0	71	0	0	0	0	0	0	182
Total	0	340	1	0	2	0	6	0	0	298	0	0	1	0	0	1	649
11:00	1	86	1	0	0	0	0	0	0	83	1	0	0	0	0	0	172
11:15	1	91	0	0	0	0	0	0	0	90	1	0	0	0	1	0	184
11:30	0	90	0	0	1	0	0	0	0	109	1	0	0	0	0	0	201
11:45	0	122	0	0	0	0	0	0	0	84	1	0	0	0	0	0	207
Total	2	389	1	0	1	0	0	0	0	366	4	0	0	0	1	0	764
12:00	1	117	0	0	0	0	0	0	0	104	0	0	0	0	0	0	222
12:15	1	125	0	0	1	0	1	0	0	134	0	0	0	0	0	0	262
12:30	1	100	0	0	1	0	1	0	0	103	1	0	0	0	0	0	207
12:45	1	108	0	0	1	0	0	0	0	109	1	0	0	0	0	0	220
Total	4	450	0	0	3	0	2	0	0	450	2	0	0	0	0	0	911
13:00	0	99	0	0	0	0	1	0	0	99	1	0	0	0	0	0	200
13:15	3	116	1	0	0	0	0	0	1	119	1	0	0	0	0	0	241
13:30	1	111	0	0	0	0	2	0	0	102	0	0	0	0	0	0	216
13:45	0	113	0	0	0	0	1	2	0	116	2	0	1	0	0	0	235
Total	4	439	1	0	0	0	4	2	1	436	4	0	1	0	0	0	892
14:00	0	105	0	0	1	0	1	0	0	114	1	0	0	0	0	0	222
14:15	1	125	0	0	1	0	1	1	0	114	0	0	0	0	0	0	243
14:30	3	150	0	0	0	0	0	0	0	123	0	0	0	0	0	1	277
14:45	1	121	0	0	0	0	0	0	1	134	0	0	0	0	0	0	257
Total	5	501	0	0	2	0	2	1	1	485	1	0	0	0	0	1	999
15:00	6	180	0	0	0	0	0	0	1	154	3	0	0	0	0	0	344
15:15	3	141	0	0	1	0	0	0	0	167	1	0	0	0	0	0	313
15:30	2	169	1	0	1	0	0	0	1	198	0	0	0	0	0	0	372
15:45	0	155	0	0	2	0	1	0	0	194	0	0	0	0	1	0	353
Total	11	645	1	0	4	0	1	0	2	713	4	0	0	0	1	0	1382

MN Dept of Transportation

TRAFFIC DATA COLLECTION - Metro

TH-120 at 17th Street N
 Ref.Pt.: 003.927
 video ZY
 TURN MOVEMENT COUNT

File Name : TH-120 at 17th St N 2016
 Site Code :
 Start Date : 5/11/2016
 Page No : 2

Groups Printed- Cars +

Start Time	TH-120 / Century Ave Southbound				17th St N Westbound				TH-120 / Century Ave Northbound				17th St N Eastbound				Int. Total	
	Left	Thru	Right	Peds	Left	Thru	Right	Peds	Left	Thru	Right	Peds	Left	Thru	Right	Peds		
16:00	1	158	0	0	0	0	1	0	0	215	1	0	0	0	0	0	0	376
16:15	6	158	0	0	0	0	0	0	0	180	1	0	0	0	0	0	0	345
16:30	1	188	0	0	0	0	0	0	0	223	0	0	0	0	0	0	0	412
16:45	0	157	0	0	2	0	1	0	0	243	0	0	0	0	0	0	1	404
Total	8	661	0	0	2	0	2	0	0	861	2	0	0	0	0	0	1	1537
17:00	3	173	0	0	1	0	1	1	0	204	3	0	0	0	0	0	2	388
17:15	2	156	1	0	0	0	0	0	0	209	0	0	0	0	0	0	0	368
17:30	0	166	0	0	4	0	0	0	0	175	1	0	0	0	0	0	0	346
17:45	4	131	0	0	1	0	0	0	0	154	1	0	0	0	0	1	0	292
Total	9	626	1	0	6	0	1	1	0	742	5	0	0	0	0	1	2	1394
Grand Total	49	5927	5	0	32	0	34	7	5	5699	29	0	3	0	6	6		11802
Apprch %	0.8	99.1	0.1	0	43.8	0	46.6	9.6	0.1	99.4	0.5	0	20	0	40	40		
Total %	0.4	50.2	0	0	0.3	0	0.3	0.1	0	48.3	0.2	0	0	0	0.1	0.1		

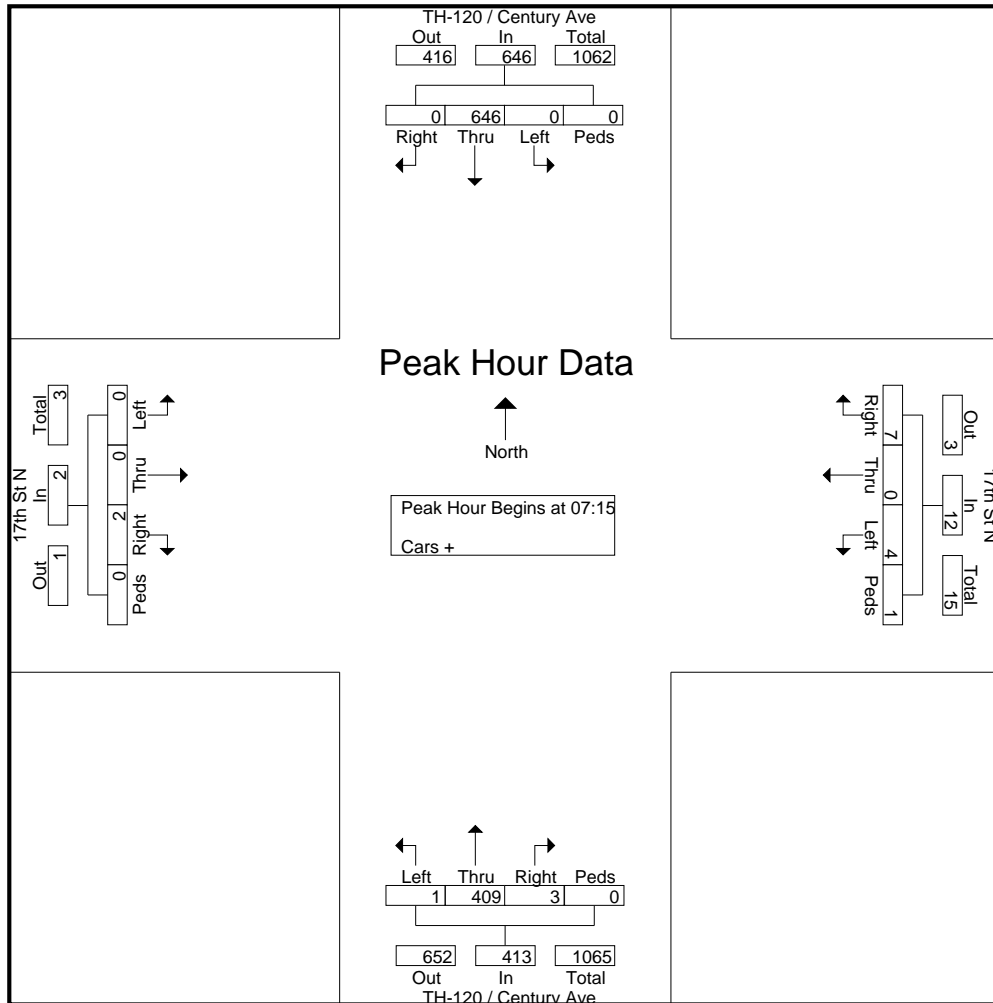
MN Dept of Transportation

TRAFFIC DATA COLLECTION - Metro

TH-120 at 17th Street N
 Ref.Pt.: 003.927
 video ZY
 TURN MOVEMENT COUNT

File Name : TH-120 at 17th St N 2016
 Site Code :
 Start Date : 5/11/2016
 Page No : 3

Start Time	TH-120 / Century Ave Southbound					17th St N Westbound					TH-120 / Century Ave Northbound					17th St N Eastbound					Int. Total
	Left	Thru	Right	Peds	App. Total	Left	Thru	Right	Peds	App. Total	Left	Thru	Right	Peds	App. Total	Left	Thru	Right	Peds	App. Total	
Peak Hour Analysis From 06:00 to 11:45 - Peak 1 of 1																					
Peak Hour for Entire Intersection Begins at 07:15																					
07:15	0	139	0	0	139	0	0	1	0	1	0	110	0	0	110	0	0	0	0	0	250
07:30	0	171	0	0	171	0	0	2	1	3	1	110	1	0	112	0	0	1	0	1	287
07:45	0	191	0	0	191	3	0	2	0	5	0	89	2	0	91	0	0	0	0	0	287
08:00	0	145	0	0	145	1	0	2	0	3	0	100	0	0	100	0	0	1	0	1	249
Total Volume	0	646	0	0	646	4	0	7	1	12	1	409	3	0	413	0	0	2	0	2	1073
% App. Total	0	100	0	0		33.3	0	58.3	8.3		0.2	99	0.7	0		0	0	100	0		
PHF	.000	.846	.000	.000	.846	.333	.000	.875	.250	.600	.250	.930	.375	.000	.922	.000	.000	.500	.000	.500	.935



MN Dept of Transportation

TRAFFIC DATA COLLECTION - Metro

TH-120 at 17th Street N
 Ref.Pt.: 003.927
 video ZY
 TURN MOVEMENT COUNT

File Name : TH-120 at 17th St N 2016
 Site Code :
 Start Date : 5/11/2016
 Page No : 4

Start Time	TH-120 / Century Ave Southbound					17th St N Westbound					TH-120 / Century Ave Northbound					17th St N Eastbound					Int. Total
	Left	Thru	Right	Peds	App. Total	Left	Thru	Right	Peds	App. Total	Left	Thru	Right	Peds	App. Total	Left	Thru	Right	Peds	App. Total	
Peak Hour Analysis From 12:00 to 17:45 - Peak 1 of 1																					
Peak Hour for Entire Intersection Begins at 16:30																					
16:30	1	188	0	0	189	0	0	0	0	0	0	223	0	0	223	0	0	0	0	0	412
16:45	0	157	0	0	157	2	0	1	0	3	0	243	0	0	243	0	0	0	1	1	404
17:00	3	173	0	0	176	1	0	1	1	3	0	204	3	0	207	0	0	0	2	2	388
17:15	2	156	1	0	159	0	0	0	0	0	0	209	0	0	209	0	0	0	0	0	368
Total Volume	6	674	1	0	681	3	0	2	1	6	0	879	3	0	882	0	0	0	3	3	1572
% App. Total	0.9	99	0.1	0		50	0	33.3	16.7		0	99.7	0.3	0		0	0	0	100		
PHF	.500	.896	.250	.000	.901	.375	.000	.500	.250	.500	.000	.904	.250	.000	.907	.000	.000	.000	.375	.375	.954

