

MN Dept of Transportation

TRAFFIC DATA COLLECTION - Metro

TH-120 at Brand St / 14th St N
 Ref.Pt.: 003.577
 video AL ZY
 TURN MOVEMENT COUNT

File Name : TH-120 at Brand St 2016
 Site Code :
 Start Date : 5/4/2016
 Page No : 1

Groups Printed- Cars +

Start Time	TH-120 / Century Ave Southbound				14th St N Westbound				TH-120 / Century Ave Northbound				Brand Street Eastbound				Int. Total
	Left	Thru	Right	Peds	Left	Thru	Right	Peds	Left	Thru	Right	Peds	Left	Thru	Right	Peds	
06:00	0	51	0	0	1	0	4	0	0	26	1	0	0	0	1	1	85
06:15	0	76	0	0	1	0	2	0	0	53	1	0	0	0	1	0	134
06:30	3	107	0	0	0	0	4	0	0	41	1	0	0	0	2	0	158
06:45	3	134	0	0	2	0	6	0	0	55	0	0	0	0	1	0	201
Total	6	368	0	0	4	0	16	0	0	175	3	0	0	0	5	1	578
07:00	5	134	0	0	1	0	0	1	0	59	0	1	0	1	1	0	203
07:15	1	144	1	0	1	0	3	1	0	81	2	0	0	0	4	0	238
07:30	6	168	1	0	3	0	6	0	0	90	3	0	2	0	0	0	279
07:45	4	169	1	0	0	0	6	0	1	80	3	0	0	0	4	0	268
Total	16	615	3	0	5	0	15	2	1	310	8	1	2	1	9	0	988
08:00	10	182	0	0	3	0	10	1	1	78	5	0	0	0	3	0	293
08:15	5	148	0	0	3	0	1	0	0	99	1	0	0	0	4	0	261
08:30	1	120	1	0	1	0	2	1	1	96	2	0	0	0	0	0	225
08:45	6	135	0	0	1	0	6	3	0	94	4	0	2	0	0	0	251
Total	22	585	1	0	8	0	19	5	2	367	12	0	2	0	7	0	1030
09:00	2	116	0	0	0	0	3	0	0	97	5	0	0	0	2	0	225
09:15	6	117	1	0	0	0	9	0	2	79	3	0	0	0	4	0	221
09:30	7	68	0	0	2	0	4	0	1	72	3	0	0	1	1	0	159
09:45	8	99	1	0	2	1	7	0	1	72	1	0	1	0	2	0	195
Total	23	400	2	0	4	1	23	0	4	320	12	0	1	1	9	0	800
10:00	4	72	0	0	1	1	9	0	1	63	0	0	0	0	4	0	155
10:15	3	93	0	0	2	0	9	0	0	60	3	0	0	1	0	0	171
10:30	2	85	0	0	4	2	5	0	3	70	4	0	0	0	2	0	177
10:45	7	78	0	0	0	0	12	0	1	68	4	0	0	0	0	0	170
Total	16	328	0	0	7	3	35	0	5	261	11	0	0	1	6	0	673
11:00	5	96	0	0	1	1	6	0	1	82	2	0	1	0	3	0	198
11:15	4	105	0	0	0	1	2	0	2	107	0	0	0	0	0	0	221
11:30	3	71	0	0	3	2	7	0	0	73	1	0	0	0	0	0	160
11:45	7	103	0	0	1	0	10	0	0	115	6	0	1	0	4	0	247
Total	19	375	0	0	5	4	25	0	3	377	9	0	2	0	7	0	826
12:00	3	111	0	0	2	0	7	0	2	99	2	0	0	1	0	0	227
12:15	5	97	2	0	1	0	13	0	2	94	1	0	1	0	1	0	217
12:30	3	116	1	0	1	0	10	0	1	111	1	0	0	1	1	0	246
12:45	5	126	1	0	2	0	9	0	1	101	2	0	0	0	5	0	252
Total	16	450	4	0	6	0	39	0	6	405	6	0	1	2	7	0	942
13:00	8	92	0	0	2	0	11	0	2	84	2	0	1	0	4	0	206
13:15	3	103	1	0	2	0	10	0	1	100	3	0	0	1	0	0	224
13:30	4	115	1	0	1	0	10	0	2	91	4	0	0	1	0	0	229
13:45	9	97	0	0	2	2	9	0	1	96	3	0	0	0	1	0	220
Total	24	407	2	0	7	2	40	0	6	371	12	0	1	2	5	0	879
14:00	4	105	1	0	3	1	4	0	2	108	3	0	0	0	1	0	232
14:15	2	127	0	0	2	2	5	0	2	111	3	0	1	1	1	0	257
14:30	4	120	2	0	6	1	9	0	2	112	4	0	1	0	2	0	263
14:45	4	102	0	0	3	0	8	0	1	129	3	0	1	0	2	0	253
Total	14	454	3	0	14	4	26	0	7	460	13	0	3	1	6	0	1005
15:00	6	105	0	0	2	0	12	0	1	168	1	0	1	3	0	0	299
15:15	14	108	1	0	3	2	9	0	1	161	2	0	1	0	2	0	304
15:30	15	161	1	0	1	0	12	0	0	153	3	0	0	0	4	0	350
15:45	9	145	0	0	3	0	12	0	3	170	6	0	0	0	2	0	350
Total	44	519	2	0	9	2	45	0	5	652	12	0	2	3	8	0	1303

MN Dept of Transportation

TRAFFIC DATA COLLECTION - Metro

TH-120 at Brand St / 14th St N
 Ref.Pt.: 003.577
 video AL ZY
 TURN MOVEMENT COUNT

File Name : TH-120 at Brand St 2016
 Site Code :
 Start Date : 5/4/2016
 Page No : 2

Groups Printed- Cars +

Start Time	TH-120 / Century Ave Southbound				14th St N Westbound				TH-120 / Century Ave Northbound				Brand Street Eastbound				Int. Total
	Left	Thru	Right	Peds	Left	Thru	Right	Peds	Left	Thru	Right	Peds	Left	Thru	Right	Peds	
16:00	8	128	2	0	1	0	4	0	3	150	3	0	0	1	2	0	302
16:15	10	146	1	0	2	0	11	0	4	183	0	0	0	0	2	0	359
16:30	6	126	0	0	3	0	11	0	1	192	2	0	0	0	2	0	343
16:45	7	130	1	0	2	0	7	0	3	208	2	0	0	4	3	0	367
Total	31	530	4	0	8	0	33	0	11	733	7	0	0	5	9	0	1371
17:00	8	148	0	0	3	0	14	0	3	226	1	0	0	0	0	0	403
17:15	9	141	0	0	1	0	4	0	3	184	2	0	0	0	2	0	346
17:30	8	141	1	0	0	0	8	0	0	156	1	0	0	0	0	0	315
17:45	5	111	1	0	3	0	6	0	2	175	1	0	0	0	2	0	306
Total	30	541	2	0	7	0	32	0	8	741	5	0	0	0	4	0	1370
Grand Total	261	5572	23	0	84	16	348	7	58	5172	110	1	14	16	82	1	11765
Apprch %	4.5	95.2	0.4	0	18.5	3.5	76.5	1.5	1.1	96.8	2.1	0	12.4	14.2	72.6	0.9	
Total %	2.2	47.4	0.2	0	0.7	0.1	3	0.1	0.5	44	0.9	0	0.1	0.1	0.7	0	

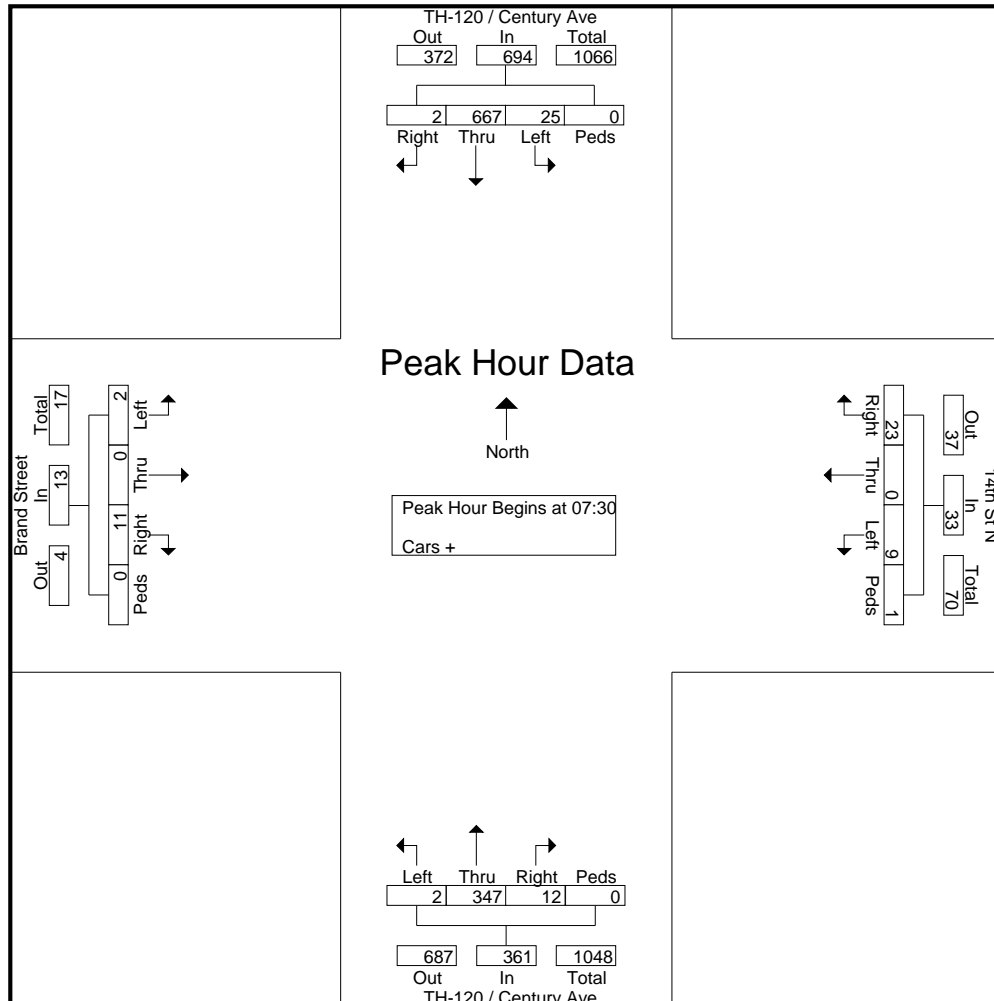
MN Dept of Transportation

TRAFFIC DATA COLLECTION - Metro

TH-120 at Brand St / 14th St N
 Ref.Pt.: 003.577
 video AL ZY
 TURN MOVEMENT COUNT

File Name : TH-120 at Brand St 2016
 Site Code :
 Start Date : 5/4/2016
 Page No : 3

Start Time	TH-120 / Century Ave Southbound					14th St N Westbound					TH-120 / Century Ave Northbound					Brand Street Eastbound					Int. Total
	Left	Thru	Right	Peds	App. Total	Left	Thru	Right	Peds	App. Total	Left	Thru	Right	Peds	App. Total	Left	Thru	Right	Peds	App. Total	
Peak Hour Analysis From 06:00 to 11:45 - Peak 1 of 1																					
Peak Hour for Entire Intersection Begins at 07:30																					
07:30	6	168	1	0	175	3	0	6	0	9	0	90	3	0	93	2	0	0	0	2	279
07:45	4	169	1	0	174	0	0	6	0	6	1	80	3	0	84	0	0	4	0	4	268
08:00	10	182	0	0	192	3	0	10	1	14	1	78	5	0	84	0	0	3	0	3	293
08:15	5	148	0	0	153	3	0	1	0	4	0	99	1	0	100	0	0	4	0	4	261
Total Volume	25	667	2	0	694	9	0	23	1	33	2	347	12	0	361	2	0	11	0	13	1101
% App. Total	3.6	96.1	0.3	0		27.3	0	69.7	3		0.6	96.1	3.3	0		15.4	0	84.6	0		
PHF	.625	.916	.500	.000	.904	.750	.000	.575	.250	.589	.500	.876	.600	.000	.903	.250	.000	.688	.000	.813	.939



MN Dept of Transportation

TRAFFIC DATA COLLECTION - Metro

TH-120 at Brand St / 14th St N
 Ref.Pt.: 003.577
 video AL ZY
 TURN MOVEMENT COUNT

File Name : TH-120 at Brand St 2016
 Site Code :
 Start Date : 5/4/2016
 Page No : 4

Start Time	TH-120 / Century Ave Southbound					14th St N Westbound					TH-120 / Century Ave Northbound					Brand Street Eastbound					Int. Total
	Left	Thru	Right	Peds	App. Total	Left	Thru	Right	Peds	App. Total	Left	Thru	Right	Peds	App. Total	Left	Thru	Right	Peds	App. Total	
Peak Hour Analysis From 12:00 to 17:45 - Peak 1 of 1																					
Peak Hour for Entire Intersection Begins at 16:15																					
16:15	10	146	1	0	157	2	0	11	0	13	4	183	0	0	187	0	0	2	0	2	359
16:30	6	126	0	0	132	3	0	11	0	14	1	192	2	0	195	0	0	2	0	2	343
16:45	7	130	1	0	138	2	0	7	0	9	3	208	2	0	213	0	4	3	0	7	367
17:00	8	148	0	0	156	3	0	14	0	17	3	226	1	0	230	0	0	0	0	0	403
Total Volume	31	550	2	0	583	10	0	43	0	53	11	809	5	0	825	0	4	7	0	11	1472
% App. Total	5.3	94.3	0.3	0		18.9	0	81.1	0		1.3	98.1	0.6	0		0	36.4	63.6	0		
PHF	.775	.929	.500	.000	.928	.833	.000	.768	.000	.779	.688	.895	.625	.000	.897	.000	.250	.583	.000	.393	.913

