

MN Dept of Transportation

TRAFFIC DATA COLLECTION - Metro

TH-120 at Margaret Street
 Ref.Pt.: 003.076
 video AL
 TURN MOVEMENT COUNT

File Name : TH-120 at Margaret St 2016
 Site Code :
 Start Date : 5/10/2016
 Page No : 1

Groups Printed- Cars +

Start Time	TH-120 SB Southbound				Margaret St WB Westbound				TH-120 NB Northbound				Margaret St EB Eastbound				Int. Total
	Left	Thru	Right	Peds	Left	Thru	Right	Peds	Left	Thru	Right	Peds	Left	Thru	Right	Peds	
06:00	0	38	0	0	1	0	1	0	0	69	0	0	2	0	0	0	111
06:15	1	47	0	0	2	0	0	0	0	96	0	0	1	1	0	0	148
06:30	0	46	0	0	3	0	2	0	0	121	0	0	0	0	1	0	173
06:45	0	59	0	0	1	0	1	0	0	132	0	0	1	0	0	0	194
Total	1	190	0	0	7	0	4	0	0	418	0	0	4	1	1	0	626
07:00	1	66	2	0	0	0	1	0	0	145	0	0	1	5	0	0	221
07:15	1	75	0	0	3	0	2	0	0	161	0	0	0	0	1	0	243
07:30	0	88	1	0	0	0	0	0	1	200	0	0	1	12	1	0	304
07:45	0	107	0	0	0	0	0	0	2	196	0	0	1	27	0	0	333
Total	2	336	3	0	3	0	3	0	3	702	0	0	3	44	2	0	1101
08:00	2	119	0	0	2	1	2	0	0	157	0	0	0	0	0	0	283
08:15	2	103	0	0	1	0	0	0	0	190	0	0	0	0	1	0	297
08:30	0	94	0	0	0	0	0	0	0	159	3	0	0	0	0	0	256
08:45	0	93	0	0	0	0	1	0	0	141	0	0	1	0	0	0	236
Total	4	409	0	0	3	1	3	0	0	647	3	0	1	0	1	0	1072
09:00	0	91	0	0	1	0	0	0	0	95	0	0	0	0	0	0	187
09:15	0	78	0	0	0	0	3	0	0	118	0	0	0	0	0	0	199
09:30	1	78	0	0	1	0	0	0	1	95	0	0	0	0	2	0	178
09:45	0	72	0	0	0	0	1	0	1	75	0	0	0	0	0	0	149
Total	1	319	0	0	2	0	4	0	2	383	0	0	0	0	2	0	713
10:00	1	72	0	0	0	0	0	0	0	78	0	0	0	0	0	0	151
10:15	1	80	0	0	0	0	0	0	0	87	0	0	0	0	0	0	168
10:30	0	59	0	0	0	0	1	0	0	72	1	0	0	0	1	0	134
10:45	2	74	0	0	0	1	2	0	0	72	0	0	1	0	0	0	152
Total	4	285	0	0	0	1	3	0	0	309	1	0	1	0	1	0	605
11:00	0	114	1	0	0	0	1	0	0	84	1	0	1	0	0	0	202
11:15	1	125	2	0	0	0	2	0	0	85	1	0	0	0	0	0	216
11:30	0	153	2	0	0	0	1	0	0	108	0	0	0	0	0	0	264
11:45	0	112	1	0	1	0	0	0	1	135	0	0	1	0	1	0	252
Total	1	504	6	0	1	0	4	0	1	412	2	0	2	0	1	0	934
12:00	1	120	0	0	0	0	0	0	0	111	0	0	0	0	0	0	232
12:15	0	128	2	0	0	0	1	0	2	152	2	0	0	0	1	0	288
12:30	0	109	0	0	0	0	1	0	0	149	1	0	0	0	1	0	261
12:45	0	128	0	0	0	0	0	0	0	122	2	0	3	0	1	0	256
Total	1	485	2	0	0	0	2	0	2	534	5	0	3	0	3	0	1037
13:00	1	93	0	0	0	0	0	0	4	100	1	0	1	0	1	0	201
13:15	1	108	0	0	0	0	1	0	0	115	0	0	0	0	0	0	225
13:30	0	88	0	0	1	0	1	0	1	127	0	0	0	0	1	0	219
13:45	1	104	1	0	2	0	1	0	1	90	1	0	0	0	2	0	203
Total	3	393	1	0	3	0	3	0	6	432	2	0	1	0	4	0	848
14:00	0	103	1	0	1	0	0	0	0	78	1	0	1	0	1	0	186
14:15	0	123	1	0	0	0	1	0	1	121	0	0	0	0	1	0	248
14:30	0	125	3	0	0	0	2	0	2	114	2	0	2	0	2	0	252
14:45	2	134	2	0	0	0	0	0	0	126	0	0	0	0	0	0	264
Total	2	485	7	0	1	0	3	0	3	439	3	0	3	0	4	0	950
15:00	0	175	0	0	1	0	0	0	0	96	0	0	0	0	0	0	272
15:15	2	170	0	0	1	0	0	0	1	114	0	0	0	0	2	0	290
15:30	0	203	2	0	1	0	2	0	2	153	2	0	1	0	2	0	368
15:45	0	189	0	0	0	0	0	0	1	132	1	0	0	0	1	0	324
Total	2	737	2	0	3	0	2	0	4	495	3	0	1	0	5	0	1254

MN Dept of Transportation

TRAFFIC DATA COLLECTION - Metro

TH-120 at Margaret Street
 Ref.Pt.: 003.076
 video AL
 TURN MOVEMENT COUNT

File Name : TH-120 at Margaret St 2016
 Site Code :
 Start Date : 5/10/2016
 Page No : 2

Groups Printed- Cars +

Start Time	TH-120 SB Southbound				Margaret St WB Westbound				TH-120 NB Northbound				Margaret St EB Eastbound				Int. Total
	Left	Thru	Right	Peds	Left	Thru	Right	Peds	Left	Thru	Right	Peds	Left	Thru	Right	Peds	
16:00	1	215	0	0	1	0	1	0	2	91	1	0	1	0	0	0	313
16:15	0	258	2	0	1	0	1	0	0	123	0	0	1	0	1	0	387
16:30	2	313	3	0	1	1	0	0	2	164	1	0	0	1	0	0	488
16:45	2	252	0	0	0	0	1	0	3	139	2	0	0	0	2	0	401
Total	5	1038	5	0	3	1	3	0	7	517	4	0	2	1	3	0	1589
17:00	0	232	2	0	1	0	0	0	1	140	0	0	1	0	1	0	378
17:15	0	187	0	0	0	0	1	0	0	106	0	0	0	0	0	0	294
17:30	1	172	0	0	1	0	0	0	0	112	1	0	1	0	0	0	288
17:45	2	150	2	0	2	0	0	0	0	107	1	0	0	0	2	0	266
Total	3	741	4	0	4	0	1	0	1	465	2	0	2	0	3	0	1226
Grand Total	29	5922	30	0	30	3	35	0	29	5753	25	0	23	46	30	0	11955
Apprch %	0.5	99	0.5	0	44.1	4.4	51.5	0	0.5	99.1	0.4	0	23.2	46.5	30.3	0	
Total %	0.2	49.5	0.3	0	0.3	0	0.3	0	0.2	48.1	0.2	0	0.2	0.4	0.3	0	

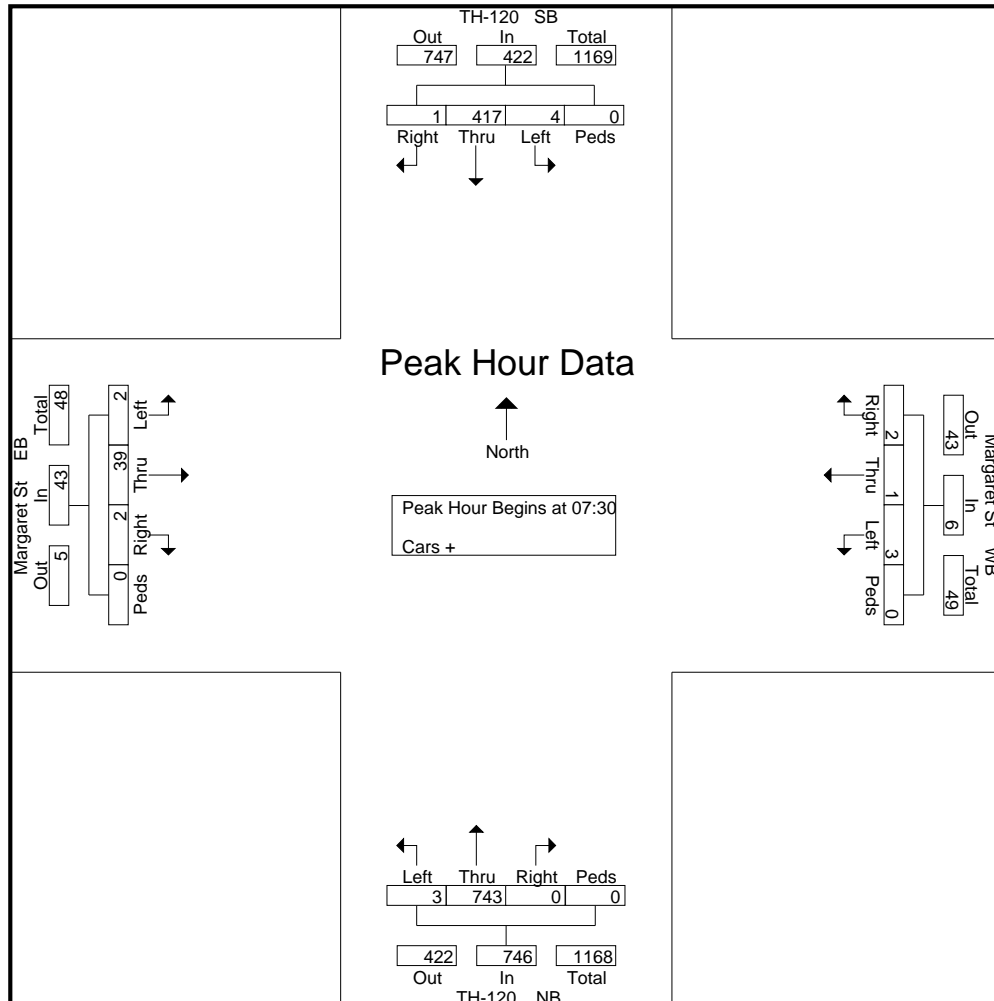
MN Dept of Transportation

TRAFFIC DATA COLLECTION - Metro

TH-120 at Margaret Street
 Ref.Pt.: 003.076
 video AL
 TURN MOVEMENT COUNT

File Name : TH-120 at Margaret St 2016
 Site Code :
 Start Date : 5/10/2016
 Page No : 3

Start Time	TH-120 SB Southbound					Margaret St WB Westbound					TH-120 NB Northbound					Margaret St EB Eastbound					Int. Total
	Left	Thru	Right	Peds	App. Total	Left	Thru	Right	Peds	App. Total	Left	Thru	Right	Peds	App. Total	Left	Thru	Right	Peds	App. Total	
Peak Hour Analysis From 06:00 to 11:45 - Peak 1 of 1																					
Peak Hour for Entire Intersection Begins at 07:30																					
07:30	0	88	1	0	89	0	0	0	0	0	1	200	0	0	201	1	12	1	0	14	304
07:45	0	107	0	0	107	0	0	0	0	0	2	196	0	0	198	1	27	0	0	28	333
08:00	2	119	0	0	121	2	1	2	0	5	0	157	0	0	157	0	0	0	0	0	283
08:15	2	103	0	0	105	1	0	0	0	1	0	190	0	0	190	0	0	1	0	1	297
Total Volume	4	417	1	0	422	3	1	2	0	6	3	743	0	0	746	2	39	2	0	43	1217
% App. Total	0.9	98.8	0.2	0		50	16.7	33.3	0		0.4	99.6	0	0		4.7	90.7	4.7	0		
PHF	.500	.876	.250	.000	.872	.375	.250	.250	.000	.300	.375	.929	.000	.000	.928	.500	.361	.500	.000	.384	.914



MN Dept of Transportation

TRAFFIC DATA COLLECTION - Metro

TH-120 at Margaret Street
 Ref.Pt.: 003.076
 video AL
 TURN MOVEMENT COUNT

File Name : TH-120 at Margaret St 2016
 Site Code :
 Start Date : 5/10/2016
 Page No : 4

Start Time	TH-120 SB Southbound					Margaret St WB Westbound					TH-120 NB Northbound					Margaret St EB Eastbound					Int. Total
	Left	Thru	Right	Peds	App. Total	Left	Thru	Right	Peds	App. Total	Left	Thru	Right	Peds	App. Total	Left	Thru	Right	Peds	App. Total	
Peak Hour Analysis From 12:00 to 17:45 - Peak 1 of 1																					
Peak Hour for Entire Intersection Begins at 16:15																					
16:15	0	258	2	0	260	1	0	1	0	2	0	123	0	0	123	1	0	1	0	2	387
16:30	2	313	3	0	318	1	1	0	0	2	2	164	1	0	167	0	1	0	0	1	488
16:45	2	252	0	0	254	0	0	1	0	1	3	139	2	0	144	0	0	2	0	2	401
17:00	0	232	2	0	234	1	0	0	0	1	1	140	0	0	141	1	0	1	0	2	378
Total Volume	4	1055	7	0	1066	3	1	2	0	6	6	566	3	0	575	2	1	4	0	7	1654
% App. Total	0.4	99	0.7	0		50	16.7	33.3	0		1	98.4	0.5	0		28.6	14.3	57.1	0		
PHF	.500	.843	.583	.000	.838	.750	.250	.500	.000	.750	.500	.863	.375	.000	.861	.500	.250	.500	.000	.875	.847

