



# MINNESOTA DEPT OF TRANSPORTATION

## TRAFFIC DATA COLLECTION - METRO

I-694 at Lexington Ave., South Ramps  
 Ref.Pt.: 042.808  
 JAMAR # 631 BR  
 TURN MOVEMENT COUNT

File Name : I-694 at Lexington Ave South Ramps 2010  
 Site Code : 00000000  
 Start Date : 8/4/2010  
 Page No : 1

### Groups Printed- Cars & Trucks

Start Time	Lexington Ave. Southbound				ramp to I-694 EB Westbound				Lexington Ave. Northbound				ramp from I-694 EB Eastbound				Int. Total
	Left	Thru	Right	Peds	Left	Thru	Right	Peds	Left	Thru	Right	Peds	Left	Thru	Right	Peds	
06:00	40	63	0	0	0	0	0	0	0	34	14	0	21	0	39	0	211
06:15	38	79	0	0	0	0	0	0	0	24	26	0	28	0	39	0	234
06:30	60	117	0	0	0	0	0	0	0	41	13	0	38	0	49	0	318
06:45	49	156	0	1	0	0	0	0	0	56	13	2	72	0	68	0	417
<b>Total</b>	<b>187</b>	<b>415</b>	<b>0</b>	<b>1</b>	<b>0</b>	<b>0</b>	<b>0</b>	<b>0</b>	<b>0</b>	<b>155</b>	<b>66</b>	<b>2</b>	<b>159</b>	<b>0</b>	<b>195</b>	<b>0</b>	<b>1180</b>
07:00	55	146	0	1	0	0	0	0	0	67	26	2	72	0	67	1	437
07:15	62	167	0	0	0	0	0	0	0	85	22	4	84	0	86	0	510
07:30	46	184	0	0	0	0	0	0	0	65	20	2	115	0	86	0	518
07:45	41	248	0	0	0	0	0	0	0	127	27	2	128	1	73	0	647
<b>Total</b>	<b>204</b>	<b>745</b>	<b>0</b>	<b>1</b>	<b>0</b>	<b>0</b>	<b>0</b>	<b>0</b>	<b>0</b>	<b>344</b>	<b>95</b>	<b>10</b>	<b>399</b>	<b>1</b>	<b>312</b>	<b>1</b>	<b>2112</b>
08:00	42	190	0	0	0	0	0	0	0	96	27	1	121	0	75	0	552
08:15	47	195	0	0	0	0	0	0	0	97	36	0	80	0	75	0	530
08:30	41	168	0	0	0	0	0	0	0	120	26	3	74	1	75	0	508
08:45	31	185	0	0	0	0	0	0	0	100	32	0	88	0	72	0	508
<b>Total</b>	<b>161</b>	<b>738</b>	<b>0</b>	<b>0</b>	<b>0</b>	<b>0</b>	<b>0</b>	<b>0</b>	<b>0</b>	<b>413</b>	<b>121</b>	<b>4</b>	<b>363</b>	<b>1</b>	<b>297</b>	<b>0</b>	<b>2098</b>
*** BREAK ***																	
14:45	46	162	0	0	0	0	0	0	0	175	67	1	33	0	61	0	545
<b>Total</b>	<b>46</b>	<b>162</b>	<b>0</b>	<b>0</b>	<b>0</b>	<b>0</b>	<b>0</b>	<b>0</b>	<b>0</b>	<b>175</b>	<b>67</b>	<b>1</b>	<b>33</b>	<b>0</b>	<b>61</b>	<b>0</b>	<b>545</b>
15:00	68	134	0	0	0	0	0	0	0	221	92	1	33	0	48	0	597
15:15	50	150	0	0	0	0	0	0	0	217	59	3	37	1	56	0	573
15:30	66	128	0	0	0	0	0	0	0	237	81	3	45	0	57	0	617
15:45	44	151	0	0	0	0	0	0	0	217	72	2	73	0	58	0	617
<b>Total</b>	<b>228</b>	<b>563</b>	<b>0</b>	<b>0</b>	<b>0</b>	<b>0</b>	<b>0</b>	<b>0</b>	<b>0</b>	<b>892</b>	<b>304</b>	<b>9</b>	<b>188</b>	<b>1</b>	<b>219</b>	<b>0</b>	<b>2404</b>
16:00	69	160	0	0	0	0	0	0	0	264	83	1	47	0	51	0	675
16:15	54	166	0	0	0	0	0	0	0	256	74	0	60	1	62	0	673
16:30	73	141	0	0	0	0	0	0	0	310	78	1	60	0	52	0	715
16:45	72	170	0	0	0	0	0	0	0	258	67	0	81	0	40	0	688
<b>Total</b>	<b>268</b>	<b>637</b>	<b>0</b>	<b>0</b>	<b>0</b>	<b>0</b>	<b>0</b>	<b>0</b>	<b>0</b>	<b>1088</b>	<b>302</b>	<b>2</b>	<b>248</b>	<b>1</b>	<b>205</b>	<b>0</b>	<b>2751</b>
17:00	82	209	0	1	0	0	0	0	0	273	72	1	67	1	61	0	767
17:15	71	189	0	1	0	0	0	0	0	283	76	1	88	0	60	0	769
17:30	61	160	0	0	0	0	0	0	0	293	98	3	48	0	65	0	728
17:45	53	166	0	0	0	0	0	0	0	242	70	0	68	1	61	0	661
<b>Total</b>	<b>267</b>	<b>724</b>	<b>0</b>	<b>2</b>	<b>0</b>	<b>0</b>	<b>0</b>	<b>0</b>	<b>0</b>	<b>1091</b>	<b>316</b>	<b>5</b>	<b>271</b>	<b>2</b>	<b>247</b>	<b>0</b>	<b>2925</b>
<b>Grand Total</b>	<b>1361</b>	<b>3984</b>	<b>0</b>	<b>4</b>	<b>0</b>	<b>0</b>	<b>0</b>	<b>0</b>	<b>0</b>	<b>4158</b>	<b>1271</b>	<b>33</b>	<b>1661</b>	<b>6</b>	<b>1536</b>	<b>1</b>	<b>14015</b>
Apprch %	25.4	74.5	0	0.1	0	0	0	0	0	76.1	23.3	0.6	51.8	0.2	47.9	0	
Total %	9.7	28.4	0	0	0	0	0	0	0	29.7	9.1	0.2	11.9	0	11	0	



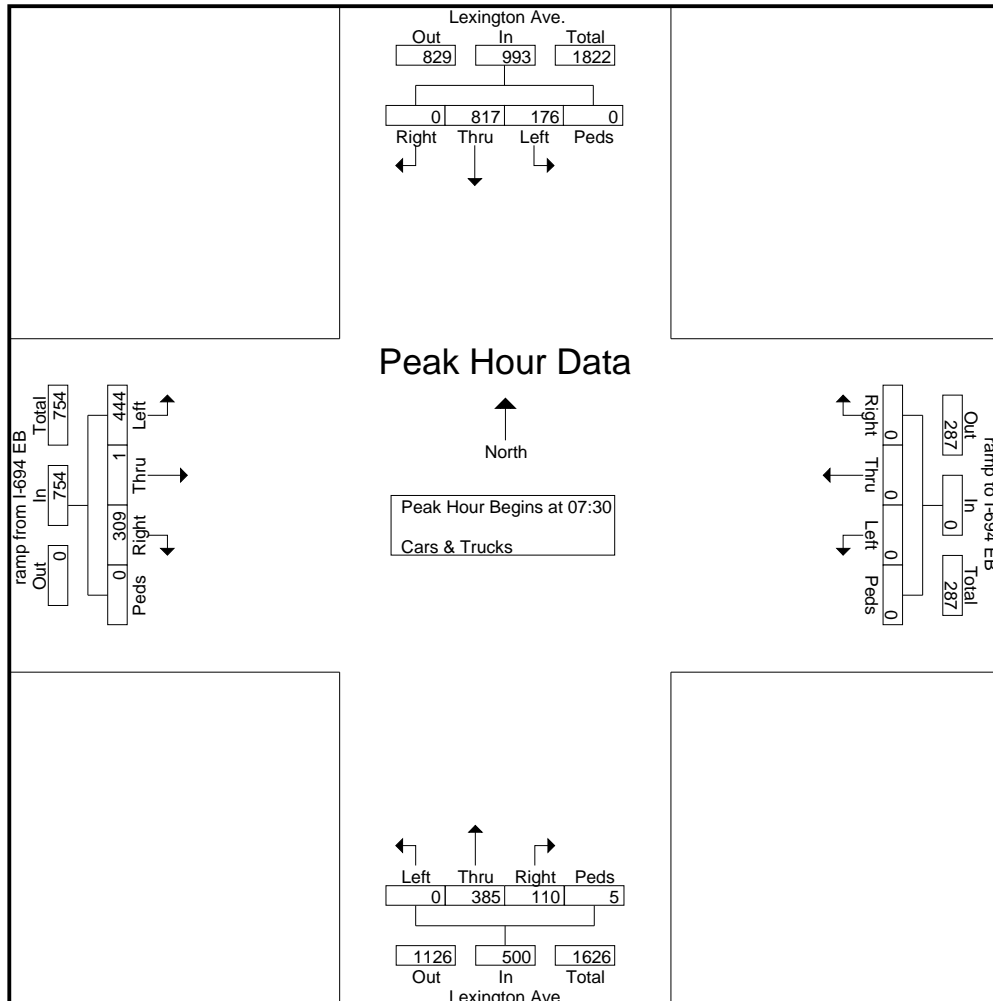
# MINNESOTA DEPT OF TRANSPORTATION

## TRAFFIC DATA COLLECTION - METRO

I-694 at Lexington Ave., South Ramps  
 Ref.Pt.: 042.808  
 JAMAR # 631 BR  
 TURN MOVEMENT COUNT

File Name : I-694 at Lexington Ave South Ramps 2010  
 Site Code : 00000000  
 Start Date : 8/4/2010  
 Page No : 2

Start Time	Lexington Ave. Southbound					ramp to I-694 EB Westbound					Lexington Ave. Northbound					ramp from I-694 EB Eastbound					Int. Total
	Left	Thru	Right	Peds	App. Total	Left	Thru	Right	Peds	App. Total	Left	Thru	Right	Peds	App. Total	Left	Thru	Right	Peds	App. Total	
Peak Hour Analysis From 06:00 to 08:45 - Peak 1 of 1																					
Peak Hour for Entire Intersection Begins at 07:30																					
07:30	46	184	0	0	230	0	0	0	0	0	0	65	20	2	87	115	0	86	0	201	518
07:45	41	248	0	0	289	0	0	0	0	0	0	127	27	2	156	128	1	73	0	202	647
08:00	42	190	0	0	232	0	0	0	0	0	0	96	27	1	124	121	0	75	0	196	552
08:15	47	195	0	0	242	0	0	0	0	0	0	97	36	0	133	80	0	75	0	155	530
Total Volume	176	817	0	0	993	0	0	0	0	0	0	385	110	5	500	444	1	309	0	754	2247
% App. Total	17.7	82.3	0	0		0	0	0	0		0	77	22	1		58.9	0.1	41	0		
PHF	.936	.824	.000	.000	.859	.000	.000	.000	.000	.000	.000	.758	.764	.625	.801	.867	.250	.898	.000	.933	.868





# MINNESOTA DEPT OF TRANSPORTATION

## TRAFFIC DATA COLLECTION - METRO

I-694 at Lexington Ave., South Ramps  
 Ref.Pt.: 042.808  
 JAMAR # 631 BR  
 TURN MOVEMENT COUNT

File Name : I-694 at Lexington Ave South Ramps 2010  
 Site Code : 00000000  
 Start Date : 8/4/2010  
 Page No : 3

Start Time	Lexington Ave. Southbound					ramp to I-694 EB Westbound					Lexington Ave. Northbound					ramp from I-694 EB Eastbound					Int. Total
	Left	Thru	Right	Peds	App. Total	Left	Thru	Right	Peds	App. Total	Left	Thru	Right	Peds	App. Total	Left	Thru	Right	Peds	App. Total	

Peak Hour Analysis From 14:45 to 17:45 - Peak 1 of 1  
 Peak Hour for Entire Intersection Begins at 16:45

16:45	72	170	0	0	242	0	0	0	0	0	0	258	67	0	325	81	0	40	0	121	688
17:00	<b>82</b>	<b>209</b>	0	<b>1</b>	<b>292</b>	0	0	0	0	0	0	273	72	1	346	67	<b>1</b>	61	0	129	767
17:15	71	189	0	1	261	0	0	0	0	0	0	283	76	1	360	<b>88</b>	0	60	0	<b>148</b>	<b>769</b>
17:30	61	160	0	0	221	0	0	0	0	0	0	<b>293</b>	<b>98</b>	<b>3</b>	<b>394</b>	48	0	<b>65</b>	0	113	728
Total Volume	286	728	0	2	1016	0	0	0	0	0	0	1107	313	5	1425	284	1	226	0	511	2952
% App. Total	28.1	71.7	0	0.2		0	0	0	0		0	77.7	22	0.4		55.6	0.2	44.2	0		
PHF	.872	.871	.000	.500	.870	.000	.000	.000	.000	.000	.000	.945	.798	.417	.904	.807	.250	.869	.000	.863	.960

