



# MINNESOTA DEPT OF TRANSPORTATION

TRAFFIC DATA COLLECTION - METRO

I 494 AT 7 TH AVE SOUTH RAMP  
 Ref.Pt.: 065.232  
 JAMAR# 632 DR  
 TURN MOVEMENT COUNT

File Name : I 494 AT 7TH AVE SOUTH RAMP 2008  
 Site Code : 00000000  
 Start Date : 8/7/2008  
 Page No : 1

Groups Printed- Unshifted

Start Time	7 TH AVE Southbound				I 494 SOUTH RAMP Westbound				7 TH AVE Northbound				I 494 SOUTH RAMP Eastbound				Int. Total
	Left	Thru	Right	Peds	Left	Thru	Right	Peds	Left	Thru	Right	Peds	Left	Thru	Right	Peds	
06:00	2	11	0	0	0	0	0	0	0	44	3	0	10	5	4	0	79
06:15	4	14	0	0	0	0	0	0	0	73	3	0	9	11	19	0	133
06:30	2	10	0	0	0	0	0	0	0	79	3	0	11	2	18	0	125
06:45	6	12	0	0	0	0	0	0	0	91	3	0	9	10	47	0	178
Total	14	47	0	0	0	0	0	0	0	287	12	0	39	28	88	0	515
07:00	3	15	0	0	0	0	0	0	0	121	2	0	17	6	17	0	181
07:15	7	21	0	0	0	0	0	0	0	121	5	0	21	5	18	0	198
07:30	10	23	0	0	0	0	0	0	0	112	5	0	14	5	19	0	188
07:45	8	29	0	0	0	0	0	0	0	122	3	0	14	10	21	0	207
Total	28	88	0	0	0	0	0	0	0	476	15	0	66	26	75	0	774
08:00	5	23	0	0	0	0	0	0	0	83	5	0	26	9	33	0	184
08:15	2	16	0	0	0	0	0	0	0	90	4	0	18	8	32	0	170
08:30	0	29	0	0	0	0	0	0	0	57	4	0	17	12	17	0	136
08:45	1	39	0	0	0	0	0	0	0	79	6	0	24	10	21	0	180
Total	8	107	0	0	0	0	0	0	0	309	19	0	85	39	103	0	670
*** BREAK ***																	
15:00	4	44	0	0	0	0	0	0	0	94	10	0	40	19	52	0	263
15:15	2	52	0	0	0	0	0	0	0	83	10	0	41	23	45	0	256
15:30	6	48	0	0	0	0	0	0	0	92	10	0	55	20	50	0	281
15:45	6	50	0	0	0	0	0	0	0	89	13	0	69	26	67	0	320
Total	18	194	0	0	0	0	0	0	0	358	43	0	205	88	214	0	1120
16:00	2	48	0	0	0	0	0	0	0	91	7	0	57	36	64	0	305
16:15	6	49	0	0	0	0	0	0	0	98	7	0	61	45	58	0	324
16:30	10	58	0	0	0	0	0	0	0	108	4	0	64	48	92	0	384
16:45	4	53	0	0	0	0	0	0	0	85	4	0	40	54	49	0	289
Total	22	208	0	0	0	0	0	0	0	382	22	0	222	183	263	0	1302
17:00	3	65	0	0	0	0	0	0	0	120	6	0	52	53	73	0	372
17:15	8	55	0	0	0	0	0	0	0	133	15	0	77	39	71	0	398
17:30	8	51	0	0	0	0	0	0	0	108	5	0	52	56	74	0	354
17:45	4	36	0	0	0	0	0	0	0	93	6	0	45	21	44	0	249
Total	23	207	0	0	0	0	0	0	0	454	32	0	226	169	262	0	1373
Grand Total	113	851	0	0	0	0	0	0	0	2266	143	0	843	533	1005	0	5754
Apprch %	11.7	88.3	0	0	0	0	0	0	0	94.1	5.9	0	35.4	22.4	42.2	0	
Total %	2	14.8	0	0	0	0	0	0	0	39.4	2.5	0	14.7	9.3	17.5	0	



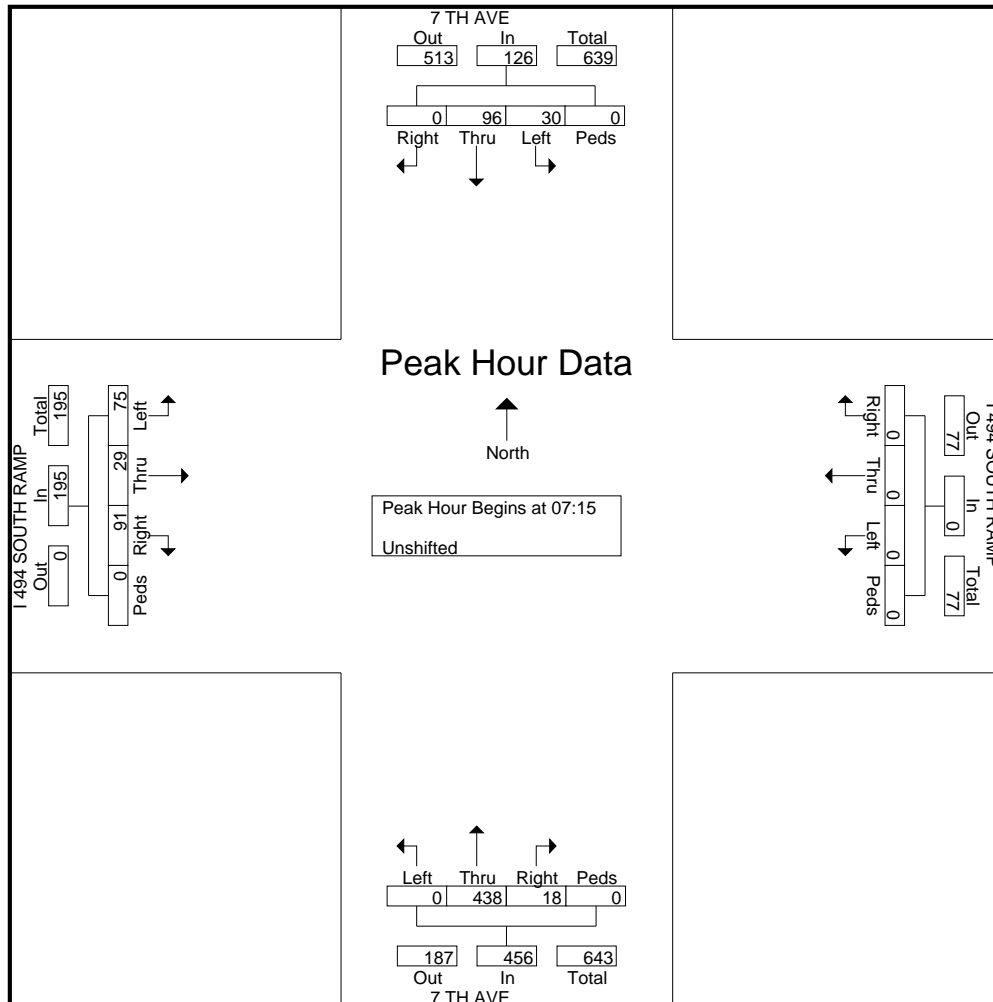
# MINNESOTA DEPT OF TRANSPORTATION

TRAFFIC DATA COLLECTION - METRO

I 494 AT 7 TH AVE SOUTH RAMP  
 Ref.Pt.: 065.232  
 JAMAR# 632 DR  
 TURN MOVEMENT COUNT

File Name : I 494 AT 7TH AVE SOUTH RAMP 2008  
 Site Code : 00000000  
 Start Date : 8/7/2008  
 Page No : 2

Start Time	7 TH AVE Southbound					I 494 SOUTH RAMP Westbound					7 TH AVE Northbound					I 494 SOUTH RAMP Eastbound					Int. Total
	Left	Thru	Right	Peds	App. Total	Left	Thru	Right	Peds	App. Total	Left	Thru	Right	Peds	App. Total	Left	Thru	Right	Peds	App. Total	
<b>Peak Hour Analysis From 06:00 to 08:45 - Peak 1 of 1</b>																					
Peak Hour for Entire Intersection Begins at 07:15																					
07:15	7	21	0	0	28	0	0	0	0	0	0	121	5	0	126	21	5	18	0	44	198
07:30	10	23	0	0	33	0	0	0	0	0	0	112	5	0	117	14	5	19	0	38	188
07:45	8	29	0	0	37	0	0	0	0	0	0	122	3	0	125	14	10	21	0	45	207
08:00	5	23	0	0	28	0	0	0	0	0	0	83	5	0	88	26	9	33	0	68	184
Total Volume	30	96	0	0	126	0	0	0	0	0	0	438	18	0	456	75	29	91	0	195	777
% App. Total																					
PHF	.750	.828	.000	.000	.851	.000	.000	.000	.000	.000	.000	.898	.900	.000	.905	.721	.725	.689	.000	.717	.938





# MINNESOTA DEPT OF TRANSPORTATION

TRAFFIC DATA COLLECTION - METRO

I 494 AT 7 TH AVE SOUTH RAMP  
 Ref.Pt.: 065.232  
 JAMAR# 632 DR  
 TURN MOVEMENT COUNT

File Name : I 494 AT 7TH AVE SOUTH RAMP 2008  
 Site Code : 00000000  
 Start Date : 8/7/2008  
 Page No : 3

Start Time	7 TH AVE Southbound					I 494 SOUTH RAMP Westbound					7 TH AVE Northbound					I 494 SOUTH RAMP Eastbound					Int. Total
	Left	Thru	Right	Peds	App. Total	Left	Thru	Right	Peds	App. Total	Left	Thru	Right	Peds	App. Total	Left	Thru	Right	Peds	App. Total	
Peak Hour Analysis From 15:00 to 17:45 - Peak 1 of 1																					
Peak Hour for Entire Intersection Begins at 16:30																					
16:30	10	58	0	0	68	0	0	0	0	0	0	108	4	0	112	64	48	92	0	204	384
16:45	4	53	0	0	57	0	0	0	0	0	0	85	4	0	89	40	54	49	0	143	289
17:00	3	65	0	0	68	0	0	0	0	0	0	120	6	0	126	52	53	73	0	178	372
17:15	8	55	0	0	63	0	0	0	0	0	0	133	15	0	148	77	39	71	0	187	398
Total Volume	25	231	0	0	256	0	0	0	0	0	0	446	29	0	475	233	194	285	0	712	1443
% App. Total																					
PHF	.625	.888	.000	.000	.941	.000	.000	.000	.000	.000	.000	.838	.483	.000	.802	.756	.898	.774	.000	.873	.906

