

SRF Consulting Group, Inc

Minneapolis, MN 55447

Counted by: Kelcie SRF
 Day of week: Tuesday
 Location: 11
 CSAH 10 @ I-494 E. RAMP

File Name : 3327SRF
 Site Code : 00000035
 Start Date : 4/20/2011
 Page No : 1

Groups Printed- Unshifted

Start Time	I-494 E Ramps Northbound				Bass Lake Rd Eastbound				I-494 E Ramps Southbound				Bass Lake Rd Westbound				Int. Total
	Left	Thru	Right	Peds	Left	Thru	Right	Peds	Left	Thru	Right	Peds	Left	Thru	Right	Peds	
05:30	13	0	18	0	28	45	7	0	0	0	0	0	0	31	15	1	158
05:45	17	0	29	0	33	88	0	0	0	0	0	0	0	47	13	0	227
Total	30	0	47	0	61	133	7	0	0	0	0	0	0	78	28	1	385
06:00	13	9	16	0	37	52	0	0	0	0	0	0	0	38	16	0	181
06:15	29	0	27	0	30	92	0	0	0	0	0	0	0	54	26	0	258
06:30	13	0	38	0	101	136	1	0	0	0	0	0	0	58	39	0	386
06:45	36	0	46	0	128	178	0	0	0	0	0	0	0	92	44	0	524
Total	91	9	127	0	296	458	1	0	0	0	0	0	0	242	125	0	1349
07:00	27	9	39	0	154	183	0	0	0	0	0	0	0	84	53	0	549
07:15	67	0	62	0	145	229	0	0	0	0	0	0	0	106	44	0	653
07:30	69	0	89	0	127	251	0	0	0	0	0	0	0	141	60	0	737
07:45	93	1	106	0	143	282	0	0	0	0	0	0	0	142	52	0	819
Total	256	10	296	0	569	945	0	0	0	0	0	0	0	473	209	0	2758
08:00	75	0	83	0	123	207	0	0	0	0	0	0	0	126	30	0	644
08:15	61	4	75	0	104	178	0	0	0	0	0	0	0	100	37	0	559
*** BREAK ***																	
Total	136	4	158	0	227	385	0	0	0	0	0	0	0	226	67	0	1203
*** BREAK ***																	
15:00	72	0	52	0	57	89	0	0	0	0	0	0	0	153	47	0	470
15:15	84	0	60	0	57	101	0	0	0	0	0	0	0	136	46	0	484
15:30	78	0	52	0	58	108	0	0	0	0	0	0	0	176	72	0	544
15:45	69	0	45	0	60	115	0	0	0	0	0	0	0	179	53	0	521
Total	303	0	209	0	232	413	0	0	0	0	0	0	0	644	218	0	2019
16:00	84	0	42	0	60	127	0	0	0	0	0	0	0	211	71	0	595
16:15	95	1	53	0	35	126	0	0	0	0	0	0	0	205	62	0	577
16:30	85	1	47	0	60	129	0	0	0	0	0	0	0	255	80	0	657
16:45	65	0	49	0	38	116	20	0	0	0	0	0	0	253	68	0	609
Total	329	2	191	0	193	498	20	0	0	0	0	0	0	924	281	0	2438
17:00	119	0	42	0	49	145	0	0	0	0	0	0	0	294	91	0	740
17:15	119	0	31	0	59	151	0	0	0	0	0	0	0	289	71	0	720
17:30	115	0	48	0	55	141	1	0	0	0	0	0	0	270	81	0	711
17:45	123	0	44	0	52	114	0	0	0	0	0	0	0	252	51	0	636
Total	476	0	165	0	215	551	1	0	0	0	0	0	0	1105	294	0	2807
Grand Total	1621	25	1193	0	1793	3383	29	0	0	0	0	0	0	3692	1222	1	12959
Apprch %	57.1	0.9	42	0	34.4	65	0.6	0	0	0	0	0	0	75.1	24.9	0	
Total %	12.5	0.2	9.2	0	13.8	26.1	0.2	0	0	0	0	0	0	28.5	9.4	0	

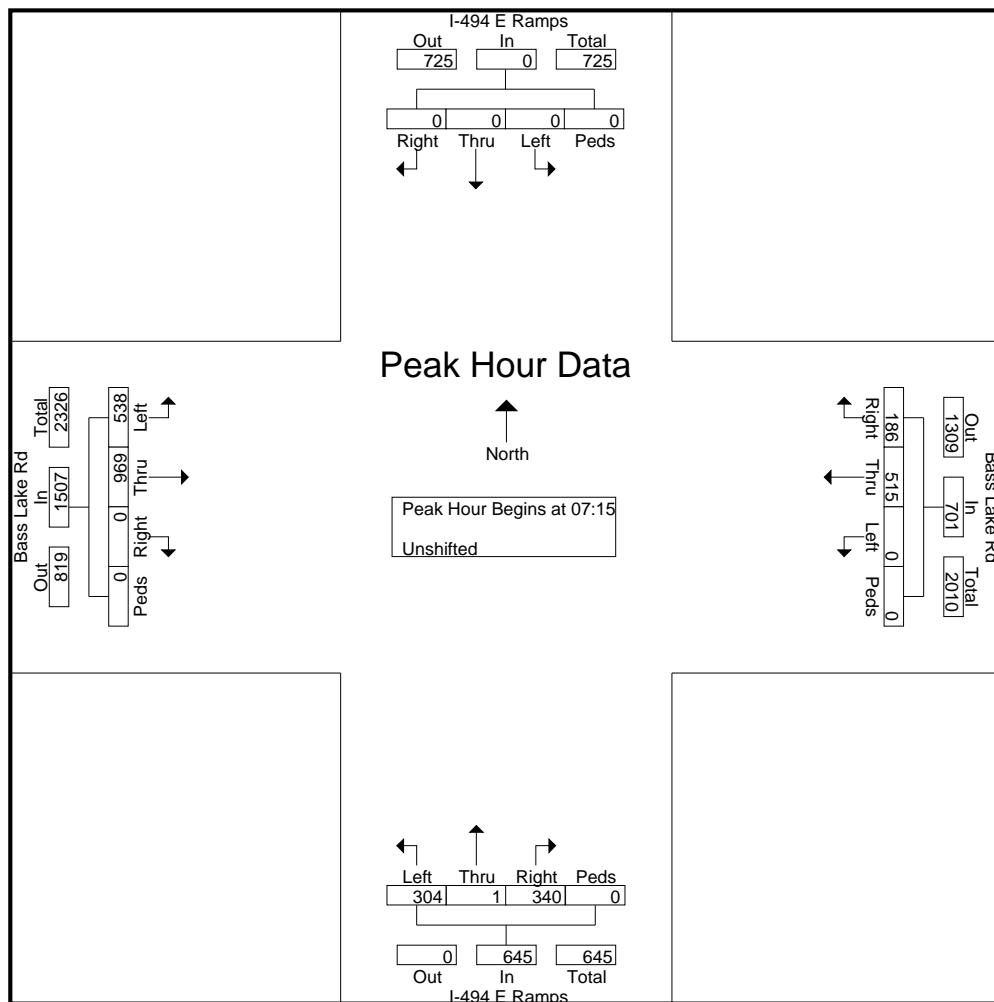
SRF Consulting Group, Inc

Minneapolis, MN 55447

Counted by: Kelcie SRF
 Day of week: Tuesday
 Location: 11
 CSAH 10 @ I-494 E. RAMP

File Name : 3327SRF
 Site Code : 00000035
 Start Date : 4/20/2011
 Page No : 2

Start Time	I-494 E Ramps Northbound					Bass Lake Rd Eastbound					I-494 E Ramps Southbound					Bass Lake Rd Westbound					Int. Total
	Left	Thru	Right	Peds	App. Total	Left	Thru	Right	Peds	App. Total	Left	Thru	Right	Peds	App. Total	Left	Thru	Right	Peds	App. Total	
Peak Hour Analysis From 05:30 to 08:15 - Peak 1 of 1																					
Peak Hour for Entire Intersection Begins at 07:15																					
07:15	67	0	62	0	129	145	229	0	0	374	0	0	0	0	0	0	106	44	0	150	653
07:30	69	0	89	0	158	127	251	0	0	378	0	0	0	0	0	0	141	60	0	201	737
07:45	93	1	106	0	200	143	282	0	0	425	0	0	0	0	0	0	142	52	0	194	819
08:00	75	0	83	0	158	123	207	0	0	330	0	0	0	0	0	0	126	30	0	156	644
Total Volume	304	1	340	0	645	538	969	0	0	1507	0	0	0	0	0	0	515	186	0	701	2853
% App. Total	47.1	0.2	52.7	0		35.7	64.3	0	0		0	0	0	0		0	73.5	26.5	0		
PHF	.817	.250	.802	.000	.806	.928	.859	.000	.000	.886	.000	.000	.000	.000	.000	.000	.907	.775	.000	.872	.871



SRF Consulting Group, Inc

Minneapolis, MN 55447

Counted by: Kelcie SRF
 Day of week: Tuesday
 Location: 11
 CSAH 10 @ I-494 E. RAMP

File Name : 3327SRF
 Site Code : 00000035
 Start Date : 4/20/2011
 Page No : 3

Start Time	I-494 E Ramps Northbound					Bass Lake Rd Eastbound					I-494 E Ramps Southbound					Bass Lake Rd Westbound					Int. Total
	Left	Thru	Right	Peds	App. Total	Left	Thru	Right	Peds	App. Total	Left	Thru	Right	Peds	App. Total	Left	Thru	Right	Peds	App. Total	
Peak Hour Analysis From 15:00 to 17:45 - Peak 1 of 1																					
Peak Hour for Entire Intersection Begins at 17:00																					
17:00	119	0	42	0	161	49	145	0	0	194	0	0	0	0	0	0	294	91	0	385	740
17:15	119	0	31	0	150	59	151	0	0	210	0	0	0	0	0	0	289	71	0	360	720
17:30	115	0	48	0	163	55	141	1	0	197	0	0	0	0	0	0	270	81	0	351	711
17:45	123	0	44	0	167	52	114	0	0	166	0	0	0	0	0	0	252	51	0	303	636
Total Volume	476	0	165	0	641	215	551	1	0	767	0	0	0	0	0	0	1105	294	0	1399	2807
% App. Total	74.3	0	25.7	0		28	71.8	0.1	0		0	0	0	0		0	79	21	0		
PHF	.967	.000	.859	.000	.960	.911	.912	.250	.000	.913	.000	.000	.000	.000	.000	.000	.940	.808	.000	.908	.948

