



MINNESOTA DEPT OF TRANSPORTATION

TRAFFIC DATA COLLECTION - METRO

I-35W at Co Rd E2, west ramps
 Ref.Pt.: 026.067
 JAMAR # T2638 CAH
 TURN MOVEMENT COUNT

File Name : I-35W at Co Rd E2 west ramps 2011
 Site Code : 00000000
 Start Date : 8/16/2011
 Page No : 1

Groups Printed- Cars & Trucks

Start Time	ramp from I-35W SB Southbound				Co.Rd. E2 Westbound				ramp to I-35W SB Northbound				Co.Rd. E2 Eastbound				Int. Total
	Left	Thru	Right	Peds	Left	Thru	Right	Peds	Left	Thru	Right	Peds	Left	Thru	Right	Peds	
06:00	6	0	39	0	10	16	0	0	0	0	0	0	0	25	11	0	107
06:15	11	0	49	0	4	34	0	0	0	0	0	0	0	31	31	0	160
06:30	9	0	51	0	6	41	0	1	0	0	0	0	0	36	40	0	184
06:45	11	0	51	0	9	37	0	0	0	0	0	0	0	52	32	0	192
Total	37	0	190	0	29	128	0	1	0	0	0	0	0	144	114	0	643
07:00	14	0	39	0	19	39	0	2	0	0	0	0	0	69	50	2	234
07:15	25	0	36	0	14	52	0	0	0	0	0	0	0	75	41	1	244
07:30	20	0	35	1	14	66	1	0	0	0	0	0	0	91	54	2	284
07:45	21	0	40	0	13	68	0	1	0	0	0	0	0	97	52	0	292
Total	80	0	150	1	60	225	1	3	0	0	0	0	0	332	197	5	1054
08:00	25	0	43	0	10	64	0	2	0	0	0	0	1	64	49	2	260
08:15	35	0	47	0	7	55	0	0	0	0	0	0	0	58	36	2	240
08:30	21	0	44	0	9	45	0	2	0	0	0	0	0	53	48	0	222
08:45	20	0	39	0	12	58	0	3	0	0	0	0	0	51	45	1	229
Total	101	0	173	0	38	222	0	7	0	0	0	0	1	226	178	5	951
*** BREAK ***																	
15:00	12	0	32	0	10	75	0	0	0	0	0	0	0	85	29	0	243
15:15	17	0	40	0	6	68	0	1	0	0	0	0	0	58	33	0	223
15:30	15	0	30	0	8	81	0	2	0	0	0	0	0	73	48	0	257
15:45	26	0	39	0	5	89	0	1	0	0	0	0	0	78	43	0	281
Total	70	0	141	0	29	313	0	4	0	0	0	0	0	294	153	0	1004
16:00	18	0	27	0	9	96	0	1	0	0	0	0	1	76	50	0	278
16:15	24	1	35	0	10	84	0	1	0	0	0	1	0	61	40	2	259
16:30	23	0	34	0	19	107	0	0	0	0	0	0	0	109	61	0	353
16:45	36	2	33	0	10	117	0	1	0	0	0	0	0	77	56	0	332
Total	101	3	129	0	48	404	0	3	0	0	0	1	1	323	207	2	1222
17:00	18	1	22	0	6	119	0	1	0	0	0	0	1	131	70	0	369
17:15	33	0	24	0	4	121	0	2	0	0	0	0	0	89	58	2	333
17:30	26	0	22	0	12	102	0	1	0	0	0	0	0	95	50	0	308
17:45	36	0	26	0	9	86	0	1	0	0	0	0	0	52	46	0	256
Total	113	1	94	0	31	428	0	5	0	0	0	0	1	367	224	2	1266
Grand Total	502	4	877	1	235	1720	1	23	0	0	0	1	3	1686	1073	14	6140
Apprch %	36.3	0.3	63.4	0.1	11.9	86.9	0.1	1.2	0	0	0	100	0.1	60.7	38.7	0.5	
Total %	8.2	0.1	14.3	0	3.8	28	0	0.4	0	0	0	0	0	27.5	17.5	0.2	



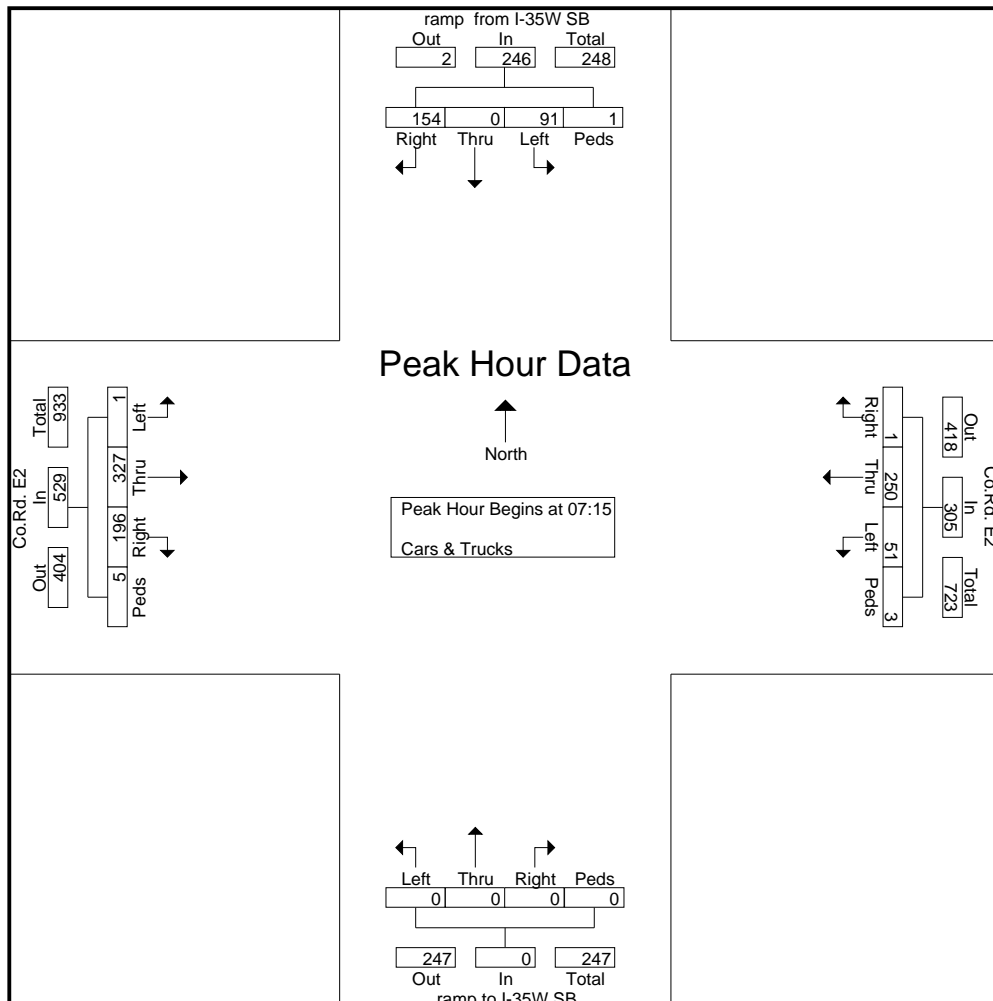
MINNESOTA DEPT OF TRANSPORTATION

TRAFFIC DATA COLLECTION - METRO

I-35W at Co Rd E2, west ramps
 Ref.Pt.: 026.067
 JAMAR # T2638 CAH
 TURN MOVEMENT COUNT

File Name : I-35W at Co Rd E2 west ramps 2011
 Site Code : 00000000
 Start Date : 8/16/2011
 Page No : 2

Start Time	ramp from I-35W SB Southbound					Co.Rd. E2 Westbound					ramp to I-35W SB Northbound					Co.Rd. E2 Eastbound					Int. Total
	Left	Thru	Right	Peds	App. Total	Left	Thru	Right	Peds	App. Total	Left	Thru	Right	Peds	App. Total	Left	Thru	Right	Peds	App. Total	
Peak Hour Analysis From 06:00 to 08:45 - Peak 1 of 1																					
Peak Hour for Entire Intersection Begins at 07:15																					
07:15	25	0	36	0	61	14	52	0	0	66	0	0	0	0	0	0	75	41	1	117	244
07:30	20	0	35	1	56	14	66	1	0	81	0	0	0	0	0	0	91	54	2	147	284
07:45	21	0	40	0	61	13	68	0	1	82	0	0	0	0	0	0	97	52	0	149	292
08:00	25	0	43	0	68	10	64	0	2	76	0	0	0	0	0	1	64	49	2	116	260
Total Volume	91	0	154	1	246	51	250	1	3	305	0	0	0	0	0	1	327	196	5	529	1080
% App. Total	37	0	62.6	0.4		16.7	82	0.3	1		0	0	0	0		0.2	61.8	37.1	0.9		
PHF	.910	.000	.895	.250	.904	.911	.919	.250	.375	.930	.000	.000	.000	.000	.000	.250	.843	.907	.625	.888	.925





MINNESOTA DEPT OF TRANSPORTATION

TRAFFIC DATA COLLECTION - METRO

I-35W at Co Rd E2, west ramps
 Ref.Pt.: 026.067
 JAMAR # T2638 CAH
 TURN MOVEMENT COUNT

File Name : I-35W at Co Rd E2 west ramps 2011
 Site Code : 00000000
 Start Date : 8/16/2011
 Page No : 3

Start Time	ramp from I-35W SB Southbound					Co.Rd. E2 Westbound					ramp to I-35W SB Northbound					Co.Rd. E2 Eastbound					Int. Total
	Left	Thru	Right	Peds	App. Total	Left	Thru	Right	Peds	App. Total	Left	Thru	Right	Peds	App. Total	Left	Thru	Right	Peds	App. Total	
Peak Hour Analysis From 15:00 to 17:45 - Peak 1 of 1 Peak Hour for Entire Intersection Begins at 16:30																					
16:30	23	0	34	0	57	19	107	0	0	126	0	0	0	0	0	0	109	61	0	170	353
16:45	36	2	33	0	71	10	117	0	1	128	0	0	0	0	0	0	77	56	0	133	332
17:00	18	1	22	0	41	6	119	0	1	126	0	0	0	0	0	1	131	70	0	202	369
17:15	33	0	24	0	57	4	121	0	2	127	0	0	0	0	0	0	89	58	2	149	333
Total Volume	110	3	113	0	226	39	464	0	4	507	0	0	0	0	0	1	406	245	2	654	1387
% App. Total	48.7	1.3	50	0		7.7	91.5	0	0.8		0	0	0	0		0.2	62.1	37.5	0.3		
PHF	.764	.375	.831	.000	.796	.513	.959	.000	.500	.990	.000	.000	.000	.000	.000	.250	.775	.875	.250	.809	.940

