



# MINNESOTA DEPT OF TRANSPORTATION

## TRAFFIC DATA COLLECTION - METRO

I-35W at 76th St., East ramps  
 Ref.Pt.: 008.991  
 JAMAR # 631 RE  
 TURN MOVEMENT COUNT

File Name : I-35W at W 76th St E ramp 2008 am pm  
 Site Code : 00000000  
 Start Date : 2/13/2008  
 Page No : 1

### Groups Printed- Cars & Trucks

Start Time	ramp to I-35W NB Southbound				W 76 ST Westbound				Girard Ave. Northbound				W 76 ST Eastbound				Int. Total
	Left	Thru	Right	Peds	Left	Thru	Right	Peds	Left	Thru	Right	Peds	Left	Thru	Right	Peds	
06:00	0	0	0	0	2	31	5	0	0	0	0	0	9	28	2	0	77
06:15	0	0	0	0	0	41	16	1	0	0	0	0	10	26	3	0	97
06:30	0	0	0	0	3	72	20	0	0	0	1	0	17	50	5	0	168
06:45	0	0	0	0	3	110	26	0	0	0	0	0	27	62	8	0	236
Total	0	0	0	0	8	254	67	1	0	0	1	0	63	166	18	0	578
07:00	0	0	0	0	4	162	23	0	1	0	0	0	27	84	8	0	309
07:15	0	0	0	0	5	240	27	0	0	1	1	0	34	76	20	0	404
07:30	0	0	0	0	6	277	35	0	1	0	0	0	25	110	25	0	479
07:45	0	0	0	2	9	373	27	0	4	1	3	0	28	144	36	3	630
Total	0	0	0	2	24	1052	112	0	6	2	4	0	114	414	89	3	1822
08:00	0	0	0	1	12	277	20	0	0	1	1	0	30	157	43	0	542
08:15	0	0	0	0	11	271	34	0	1	0	3	0	24	114	30	0	488
08:30	0	0	0	0	13	214	27	0	1	2	3	0	32	91	37	2	422
08:45	0	0	0	0	13	181	17	0	1	0	1	0	31	98	28	0	370
Total	0	0	0	1	49	943	98	0	3	3	8	0	117	460	138	2	1822
*** BREAK ***																	
14:00	0	0	0	0	1	90	22	0	7	1	7	0	43	113	12	0	296
14:15	0	0	0	0	1	98	30	2	3	2	6	0	43	110	4	0	299
14:30	0	0	0	0	3	111	27	1	10	7	9	0	44	144	4	1	361
14:45	0	0	0	0	5	111	23	0	6	8	11	1	41	172	15	0	393
Total	0	0	0	0	10	410	102	3	26	18	33	1	171	539	35	1	1349
15:00	0	0	0	0	7	101	32	0	9	8	11	0	47	133	8	3	359
15:15	0	0	0	0	4	98	25	0	4	5	9	0	44	177	5	1	372
15:30	0	0	0	0	8	115	27	0	7	6	7	0	43	182	3	1	399
15:45	0	0	0	0	5	143	21	2	10	7	5	0	52	203	2	1	451
Total	0	0	0	0	24	457	105	2	30	26	32	0	186	695	18	6	1581
16:00	0	0	0	0	5	118	30	0	10	5	11	0	72	216	6	4	477
16:15	0	0	0	0	5	125	39	0	12	8	2	0	79	252	7	2	531
16:30	0	0	0	0	3	137	47	0	8	10	6	0	102	273	13	0	599
16:45	0	0	0	0	11	173	41	0	19	10	10	0	120	304	11	0	699
Total	0	0	0	0	24	553	157	0	49	33	29	0	373	1045	37	6	2306
17:00	0	0	0	0	10	241	40	1	11	15	12	0	119	337	11	1	798
17:15	0	0	0	1	18	244	56	0	21	16	15	0	138	353	19	1	882
17:30	0	0	0	0	15	246	47	0	12	12	5	0	104	296	16	1	754
17:45	0	0	0	0	13	211	35	1	8	7	7	0	90	233	15	0	620
Total	0	0	0	1	56	942	178	2	52	50	39	0	451	1219	61	3	3054
Grand Total	0	0	0	4	195	4611	819	8	166	132	146	1	1475	4538	396	21	12512
Apprch %	0	0	0	100	3.5	81.9	14.5	0.1	37.3	29.7	32.8	0.2	22.9	70.6	6.2	0.3	
Total %	0	0	0	0	1.6	36.9	6.5	0.1	1.3	1.1	1.2	0	11.8	36.3	3.2	0.2	



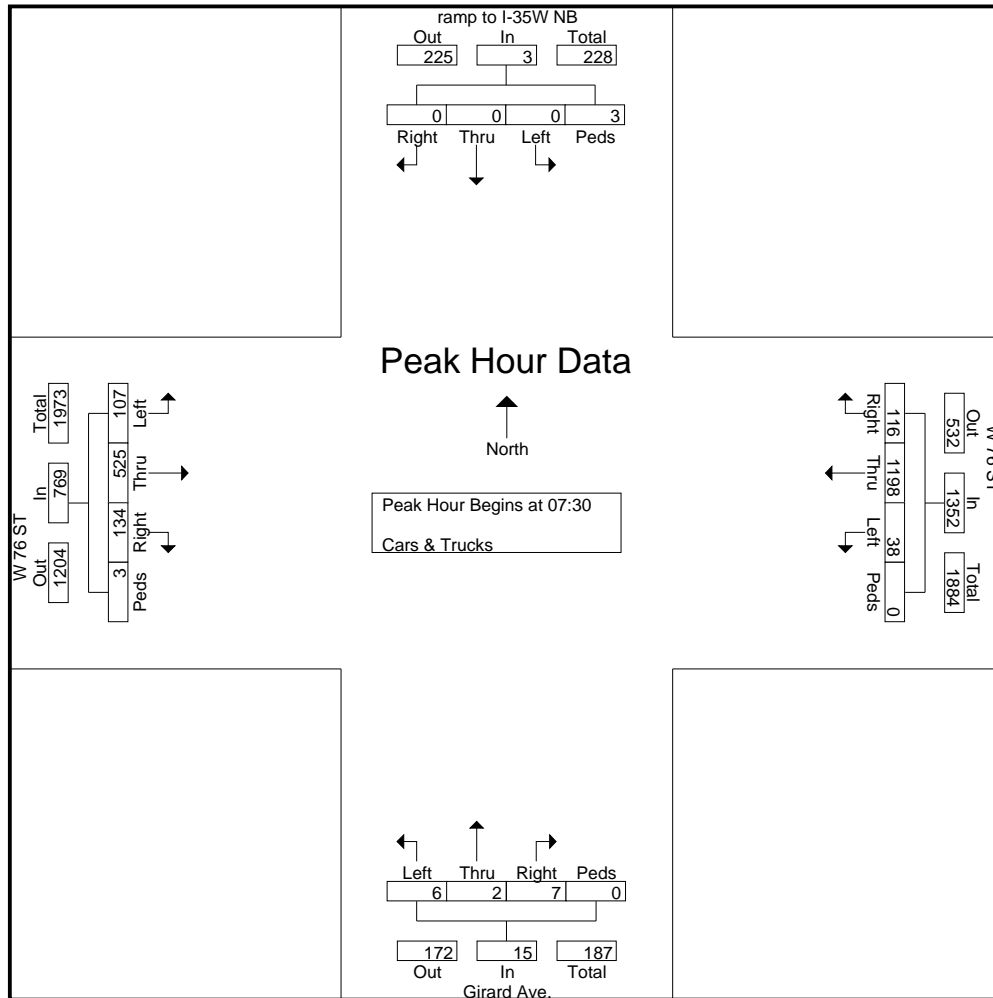
# MINNESOTA DEPT OF TRANSPORTATION

## TRAFFIC DATA COLLECTION - METRO

I-35W at 76th St., East ramps  
 Ref.Pt.: 008.991  
 JAMAR # 631 RE  
 TURN MOVEMENT COUNT

File Name : I-35W at W 76th St E ramp 2008 am pm  
 Site Code : 00000000  
 Start Date : 2/13/2008  
 Page No : 2

Start Time	ramp to I-35W NB Southbound					W 76 ST Westbound					Girard Ave. Northbound					W 76 ST Eastbound					Int. Total
	Left	Thru	Right	Peds	App. Total	Left	Thru	Right	Peds	App. Total	Left	Thru	Right	Peds	App. Total	Left	Thru	Right	Peds	App. Total	
Peak Hour Analysis From 06:00 to 08:45 - Peak 1 of 1																					
Peak Hour for Entire Intersection Begins at 07:30																					
07:30	0	0	0	0	0	6	277	35	0	318	1	0	0	0	1	25	110	25	0	160	479
07:45	0	0	0	2	2	9	373	27	0	409	4	1	3	0	8	28	144	36	3	211	630
08:00	0	0	0	1	1	12	277	20	0	309	0	1	1	0	2	30	157	43	0	230	542
08:15	0	0	0	0	0	11	271	34	0	316	1	0	3	0	4	24	114	30	0	168	488
Total Volume	0	0	0	3	3	38	1198	116	0	1352	6	2	7	0	15	107	525	134	3	769	2139
% App. Total	0	0	0	100		2.8	88.6	8.6	0		40	13.3	46.7	0		13.9	68.3	17.4	0.4		
PHF	.000	.000	.000	.375	.375	.792	.803	.829	.000	.826	.375	.500	.583	.000	.469	.892	.836	.779	.250	.836	.849





# MINNESOTA DEPT OF TRANSPORTATION

## TRAFFIC DATA COLLECTION - METRO

I-35W at 76th St., East ramps  
 Ref.Pt.: 008.991  
 JAMAR # 631 RE  
 TURN MOVEMENT COUNT

File Name : I-35W at W 76th St E ramp 2008 am pm  
 Site Code : 00000000  
 Start Date : 2/13/2008  
 Page No : 3

Start Time	ramp to I-35W NB Southbound					W 76 ST Westbound					Girard Ave. Northbound					W 76 ST Eastbound					Int. Total
	Left	Thru	Right	Peds	App. Total	Left	Thru	Right	Peds	App. Total	Left	Thru	Right	Peds	App. Total	Left	Thru	Right	Peds	App. Total	
Peak Hour Analysis From 14:00 to 17:45 - Peak 1 of 1																					
Peak Hour for Entire Intersection Begins at 16:45																					
16:45	0	0	0	0	0	11	173	41	0	225	19	10	10	0	39	120	304	11	0	435	699
17:00	0	0	0	0	0	10	241	40	1	292	11	15	12	0	38	119	337	11	1	468	798
17:15	0	0	0	1	1	18	244	56	0	318	21	16	15	0	52	138	353	19	1	511	882
17:30	0	0	0	0	0	15	246	47	0	308	12	12	5	0	29	104	296	16	1	417	754
Total Volume	0	0	0	1	1	54	904	184	1	1143	63	53	42	0	158	481	1290	57	3	1831	3133
% App. Total	0	0	0	100		4.7	79.1	16.1	0.1		39.9	33.5	26.6	0		26.3	70.5	3.1	0.2		
PHF	.000	.000	.000	.250	.250	.750	.919	.821	.250	.899	.750	.828	.700	.000	.760	.871	.914	.750	.750	.896	.888

