



# MINNESOTA DEPT OF TRANSPORTATION

## TRAFFIC DATA COLLECTION - METRO

I-35W at W 98th St., East Ramps  
 REF.PT.: 006.208  
 JAMAR # 631/632 RE/DR  
 TURN MOVEMENT COUNT

File Name : I-35W at W 98th St East Ramps 2007  
 Site Code : 00000000  
 Start Date : 6/27/2007  
 Page No : 1

### Groups Printed- Cars & Trucks

Start Time	ramp from I-35W NB /Frt Rd. Southbound				W 98th St. Westbound				ramp to I-35W NB Northbound				W 98th St. Eastbound				Int. Total
	Left	Thru	Right	Peds	Left	Thru	Right	Peds	Left	Thru	Right	Peds	Left	Thru	Right	Peds	
06:00	0	0	0	0	0	47	28	0	29	1	15	0	63	57	0	1	241
06:15	0	0	0	0	0	96	31	0	53	6	30	0	63	77	0	0	356
06:30	0	0	0	0	0	100	28	2	61	6	29	0	57	127	0	1	411
06:45	0	0	0	0	0	139	23	0	68	4	34	0	53	146	0	0	467
Total	0	0	0	0	0	382	110	2	211	17	108	0	236	407	0	2	1475
07:00	0	0	0	0	0	139	33	1	80	2	34	0	73	162	0	0	524
07:15	0	0	0	0	0	178	39	1	100	8	39	0	72	201	0	0	638
07:30	0	0	0	0	0	263	33	2	96	4	24	0	61	203	0	3	689
07:45	0	0	0	0	0	266	25	3	111	6	40	1	67	260	0	2	781
Total	0	0	0	0	0	846	130	7	387	20	137	1	273	826	0	5	2632
08:00	0	0	0	0	0	232	45	1	92	6	32	0	68	215	0	3	694
08:15	0	0	0	0	0	213	36	0	86	14	46	0	73	200	0	1	669
08:30	0	0	0	0	0	180	55	3	76	8	44	1	73	181	0	2	623
08:45	0	0	0	0	0	165	49	1	56	6	48	0	60	193	0	2	580
Total	0	0	0	0	0	790	185	5	310	34	170	1	274	789	0	8	2566
*** BREAK ***																	
14:45	0	0	0	0	0	182	55	1	37	6	32	0	78	223	0	1	615
Total	0	0	0	0	0	182	55	1	37	6	32	0	78	223	0	1	615
15:00	0	0	0	0	0	176	46	0	32	0	35	0	68	228	0	1	586
15:15	0	0	0	0	0	199	40	0	39	4	39	0	84	212	0	0	617
15:30	0	0	0	0	0	236	52	1	39	5	25	0	93	202	0	0	653
15:45	0	0	0	0	0	234	36	0	31	2	47	0	83	262	0	1	696
Total	0	0	0	0	0	845	174	1	141	11	146	0	328	904	0	2	2552
16:00	0	0	0	0	0	251	44	0	43	5	46	0	85	290	0	1	765
16:15	0	0	0	0	0	270	46	1	44	2	40	0	55	282	0	2	742
16:30	0	0	0	0	0	280	49	4	69	10	57	0	88	347	0	2	906
16:45	0	0	0	0	0	303	42	0	53	5	51	0	97	356	0	1	908
Total	0	0	0	0	0	1104	181	5	209	22	194	0	325	1275	0	6	3321
17:00	0	0	0	0	0	346	37	2	68	2	53	0	99	317	0	2	926
17:15	0	0	0	0	0	341	45	1	69	3	49	0	99	347	0	0	954
17:30	0	0	0	0	0	339	44	1	80	6	30	1	71	334	0	1	907
17:45	0	0	0	0	0	282	39	4	72	4	59	0	89	309	0	3	861
Total	0	0	0	0	0	1308	165	8	289	15	191	1	358	1307	0	6	3648
Grand Total	0	0	0	0	0	5457	1000	29	1584	125	978	3	1872	5731	0	30	16809
Apprch %	0	0	0	0	0	84.1	15.4	0.4	58.9	4.6	36.4	0.1	24.5	75.1	0	0.4	
Total %	0	0	0	0	0	32.5	5.9	0.2	9.4	0.7	5.8	0	11.1	34.1	0	0.2	



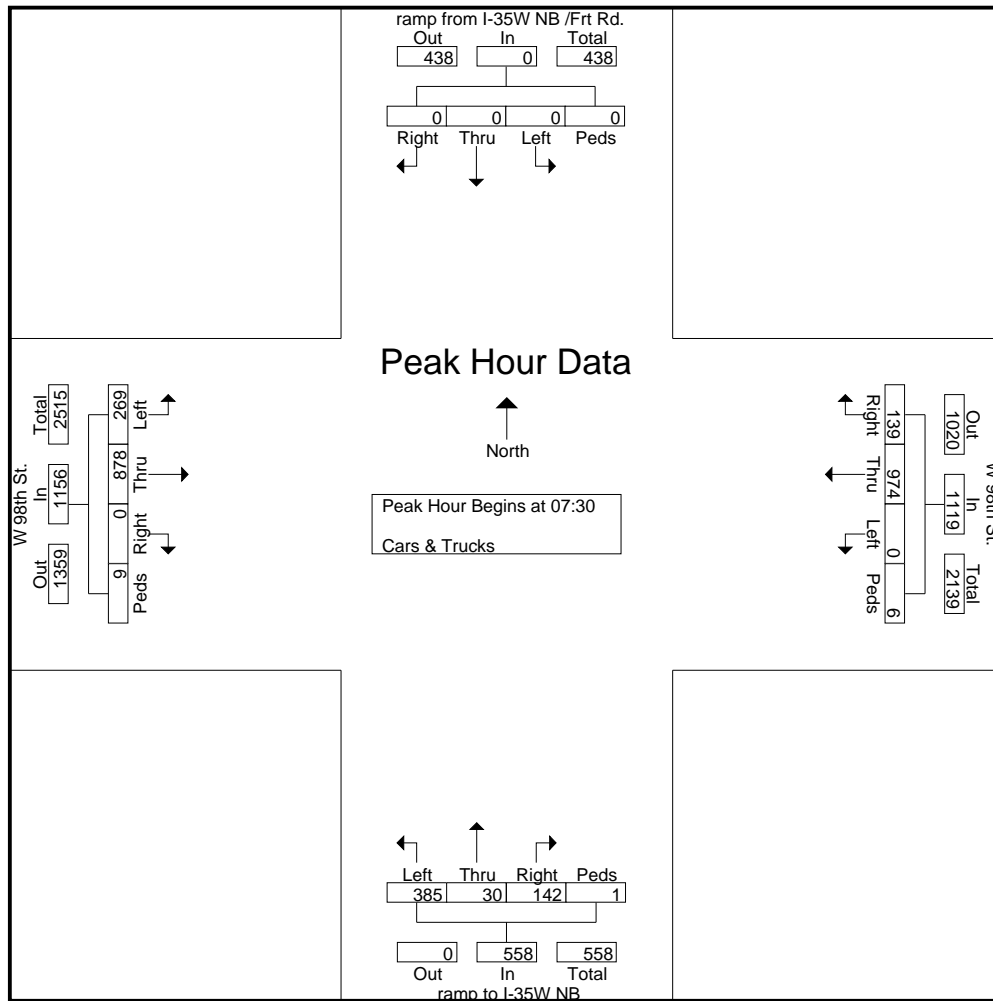
# MINNESOTA DEPT OF TRANSPORTATION

## TRAFFIC DATA COLLECTION - METRO

I-35W at W 98th St., East Ramps  
 REF.PT.: 006.208  
 JAMAR # 631/632 RE/DR  
 TURN MOVEMENT COUNT

File Name : I-35W at W 98th St East Ramps 2007  
 Site Code : 00000000  
 Start Date : 6/27/2007  
 Page No : 2

Start Time	ramp from I-35W NB /Frt Rd. Southbound					W 98th St. Westbound					ramp to I-35W NB Northbound					W 98th St. Eastbound					Int. Total
	Left	Thru	Right	Peds	App. Total	Left	Thru	Right	Peds	App. Total	Left	Thru	Right	Peds	App. Total	Left	Thru	Right	Peds	App. Total	
Peak Hour Analysis From 06:00 to 08:45 - Peak 1 of 1																					
Peak Hour for Entire Intersection Begins at 07:30																					
07:30	0	0	0	0	0	0	263	33	2	<b>298</b>	96	4	24	0	124	61	203	0	<b>3</b>	267	689
07:45	0	0	0	0	0	0	<b>266</b>	25	<b>3</b>	294	<b>111</b>	6	40	<b>1</b>	<b>158</b>	67	<b>260</b>	0	2	<b>329</b>	<b>781</b>
08:00	0	0	0	0	0	0	232	<b>45</b>	1	278	92	6	32	0	130	68	215	0	3	286	694
08:15	0	0	0	0	0	0	213	36	0	249	86	<b>14</b>	<b>46</b>	0	146	<b>73</b>	200	0	1	274	669
Total Volume	0	0	0	0	0	0	974	139	6	1119	385	30	142	1	558	269	878	0	9	1156	2833
% App. Total																					
PHF	.000	.000	.000	.000	.000	.000	.915	.772	.500	.939	.867	.536	.772	.250	.883	.921	.844	.000	.750	.878	.907





# MINNESOTA DEPT OF TRANSPORTATION

## TRAFFIC DATA COLLECTION - METRO

I-35W at W 98th St., East Ramps  
 REF.PT.: 006.208  
 JAMAR # 631/632 RE/DR  
 TURN MOVEMENT COUNT

File Name : I-35W at W 98th St East Ramps 2007  
 Site Code : 00000000  
 Start Date : 6/27/2007  
 Page No : 3

Start Time	ramp from I-35W NB /Frt Rd. Southbound					W 98th St. Westbound					ramp to I-35W NB Northbound					W 98th St. Eastbound					Int. Total
	Left	Thru	Right	Peds	App. Total	Left	Thru	Right	Peds	App. Total	Left	Thru	Right	Peds	App. Total	Left	Thru	Right	Peds	App. Total	
Peak Hour Analysis From 15:00 to 17:45 - Peak 1 of 1																					
Peak Hour for Entire Intersection Begins at 16:45																					
16:45	0	0	0	0	0	0	303	42	0	345	53	5	51	0	109	97	356	0	1	454	908
17:00	0	0	0	0	0	0	346	37	2	385	68	2	53	0	123	99	317	0	2	418	926
17:15	0	0	0	0	0	0	341	45	1	387	69	3	49	0	121	99	347	0	0	446	954
17:30	0	0	0	0	0	0	339	44	1	384	80	6	30	1	117	71	334	0	1	406	907
Total Volume	0	0	0	0	0	0	1329	168	4	1501	270	16	183	1	470	366	1354	0	4	1724	3695
% App. Total	0	0	0	0	0	0	88.5	11.2	0.3		57.4	3.4	38.9	0.2		21.2	78.5	0	0.2		
PHF	.000	.000	.000	.000	.000	.000	.960	.933	.500	.970	.844	.667	.863	.250	.955	.924	.951	.000	.500	.949	.968

