



# MINNESOTA DEPT OF TRANSPORTATION

## TRAFFIC DATA COLLECTION - METRO

Location: I-35 W / DUPONT AVE AT 98TH  
 Ref.Pt.: 006+00.350 WEST RAMPS  
 JAMAR# 634/2582 DR  
 TURN MOVEMENT COUNT

File Name : I 35 W AT 98TH ST W RAMPS 2007  
 Site Code : 00000000  
 Start Date : 7/11/2007  
 Page No : 1

Groups Printed- Unshifted

Start Time	ramp from I-35W SB Southbound				98TH ST W Westbound				Dupont Ave. Northbound				98TH ST W Eastbound				Int. Total
	Left	Thru	Right	Peds	Left	Thru	Right	Peds	Left	Thru	Right	Peds	Left	Thru	Right	Peds	
06:00	14	7	28	0	8	71	0	0	7	0	13	0	0	83	7	0	238
06:15	12	3	44	0	0	113	0	0	2	0	14	0	0	119	4	0	311
06:30	15	12	69	0	1	126	0	0	7	0	28	0	0	150	3	0	411
06:45	18	14	63	0	15	216	0	0	14	0	31	0	0	188	5	0	564
Total	59	36	204	0	24	526	0	0	30	0	86	0	0	540	19	0	1524
07:00	26	10	44	0	16	188	0	0	11	0	54	0	0	232	10	0	591
07:15	35	10	64	0	8	224	0	0	11	0	37	0	0	281	7	0	677
07:30	18	3	77	0	10	291	0	0	18	0	43	0	0	201	7	0	668
07:45	47	9	76	0	16	369	0	0	32	0	85	0	0	319	4	0	957
Total	126	32	261	0	50	1072	0	0	72	0	219	0	0	1033	28	0	2893
08:00	44	14	60	0	18	290	0	0	22	0	38	0	0	275	11	0	772
08:15	41	13	58	0	15	239	0	0	39	0	41	0	0	260	20	0	726
08:30	30	13	68	0	14	218	0	0	33	0	32	0	0	229	14	0	651
08:45	41	13	81	0	11	259	0	0	14	0	40	0	0	243	10	1	713
Total	156	53	267	0	58	1006	0	0	108	0	151	0	0	1007	55	1	2862
*** BREAK ***																	
15:00	32	11	86	0	11	177	0	0	10	0	23	0	0	338	15	0	703
15:15	50	11	75	0	19	204	0	0	11	0	34	0	0	338	24	0	766
15:30	39	13	69	0	18	185	0	0	7	0	20	0	0	383	22	0	756
15:45	46	17	55	0	20	204	0	0	14	0	33	0	0	384	30	0	803
Total	167	52	285	0	68	770	0	0	42	0	110	0	0	1443	91	0	3028
16:00	43	19	64	0	19	218	0	0	6	0	38	0	0	366	30	0	803
16:15	35	23	74	0	27	242	0	0	12	0	41	0	0	426	36	0	916
16:30	19	0	65	0	38	243	0	0	17	0	60	0	0	327	31	0	800
16:45	34	27	53	0	30	246	0	0	20	0	45	0	0	480	47	0	982
Total	131	69	256	0	114	949	0	0	55	0	184	0	0	1599	144	0	3501
17:00	33	12	65	0	46	321	0	0	18	0	66	0	0	499	46	0	1106
17:15	34	13	65	0	47	314	0	0	25	0	50	2	0	517	60	0	1127
17:30	27	15	81	0	48	287	0	0	15	0	61	10	0	444	46	0	1034
17:45	37	25	66	0	42	295	0	0	16	0	31	0	0	424	35	0	971
Total	131	65	277	0	183	1217	0	0	74	0	208	12	0	1884	187	0	4238
Grand Total	770	307	1550	0	497	5540	0	0	381	0	958	12	0	7506	524	1	18046
Approch %	29.3	11.7	59	0	8.2	91.8	0	0	28.2	0	70.9	0.9	0	93.5	6.5	0	
Total %	4.3	1.7	8.6	0	2.8	30.7	0	0	2.1	0	5.3	0.1	0	41.6	2.9	0	



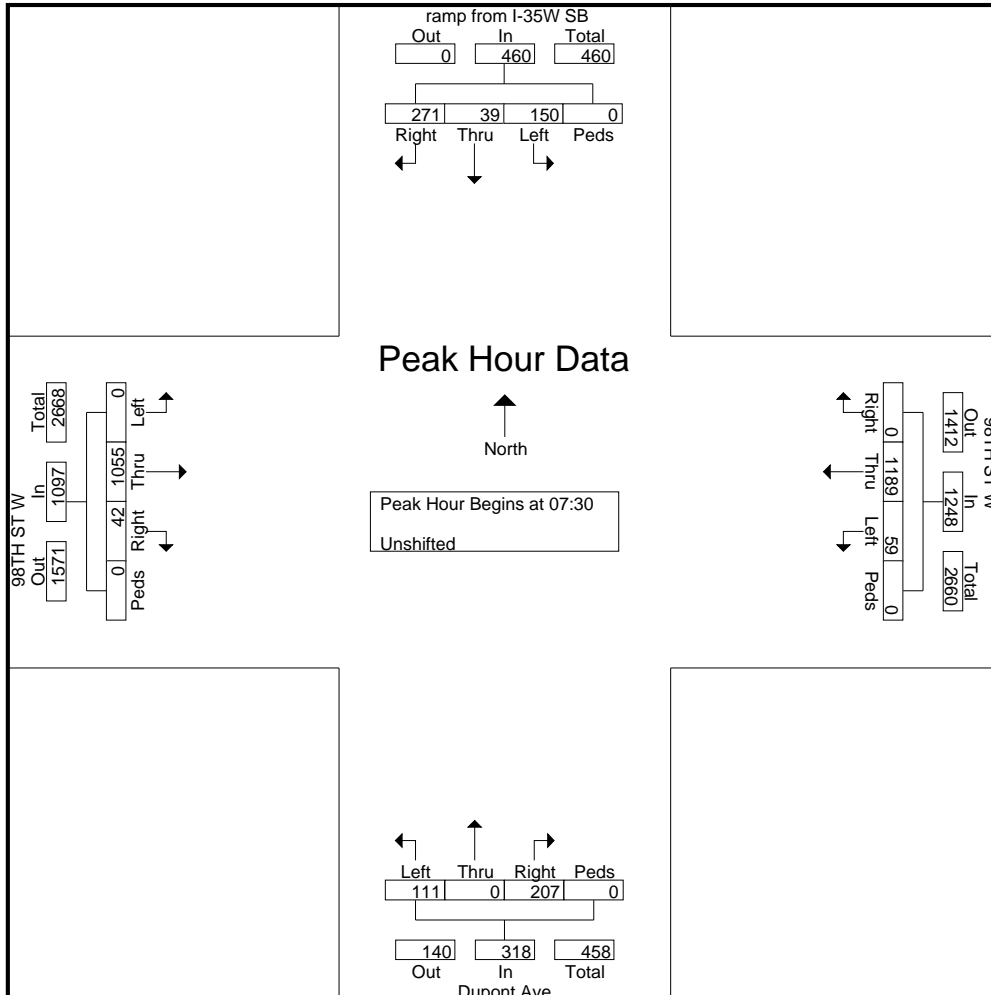
# MINNESOTA DEPT OF TRANSPORTATION

## TRAFFIC DATA COLLECTION - METRO

Location: I-35 W / DUPONT AVE AT 98TH  
 Ref.Pt.: 006+00.350 WEST RAMPS  
 JAMAR# 634/2582 DR  
 TURN MOVEMENT COUNT

File Name : I 35 W AT 98TH ST W RAMPS 2007  
 Site Code : 00000000  
 Start Date : 7/11/2007  
 Page No : 2

Start Time	ramp from I-35W SB Southbound					98TH ST W Westbound					Dupont Ave. Northbound					98TH ST W Eastbound					Int. Total
	Left	Thru	Right	Peds	App. Total	Left	Thru	Right	Peds	App. Total	Left	Thru	Right	Peds	App. Total	Left	Thru	Right	Peds	App. Total	
<b>Peak Hour Analysis From 06:00 to 08:45 - Peak 1 of 1</b>																					
Peak Hour for Entire Intersection Begins at 07:30																					
07:30	18	3	77	0	98	10	291	0	0	301	18	0	43	0	61	0	201	7	0	208	668
07:45	47	9	76	0	132	16	369	0	0	385	32	0	85	0	117	0	319	4	0	323	957
08:00	44	14	60	0	118	18	290	0	0	308	22	0	38	0	60	0	275	11	0	286	772
08:15	41	13	58	0	112	15	239	0	0	254	39	0	41	0	80	0	260	20	0	280	726
Total Volume	150	39	271	0	460	59	1189	0	0	1248	111	0	207	0	318	0	1055	42	0	1097	3123
% App. Total	32.6	8.5	58.9	0		4.7	95.3	0	0		34.9	0	65.1	0		0	96.2	3.8	0		
PHF	.798	.696	.880	.000	.871	.819	.806	.000	.000	.810	.712	.000	.609	.000	.679	.000	.827	.525	.000	.849	.816





# MINNESOTA DEPT OF TRANSPORTATION

## TRAFFIC DATA COLLECTION - METRO

Location: I-35 W / DUPONT AVE AT 98TH  
 Ref.Pt.: 006+00.350 WEST RAMPS  
 JAMAR# 634/2582 DR  
 TURN MOVEMENT COUNT

File Name : I 35 W AT 98TH ST W RAMPS 2007  
 Site Code : 00000000  
 Start Date : 7/11/2007  
 Page No : 3

Start Time	ramp from I-35W SB Southbound					98TH ST W Westbound					Dupont Ave. Northbound					98TH ST W Eastbound					Int. Total
	Left	Thru	Right	Peds	App. Total	Left	Thru	Right	Peds	App. Total	Left	Thru	Right	Peds	App. Total	Left	Thru	Right	Peds	App. Total	
<b>Peak Hour Analysis From 15:00 to 17:45 - Peak 1 of 1</b>																					
Peak Hour for Entire Intersection Begins at 16:45																					
16:45	34	27	53	0	114	30	246	0	0	276	20	0	45	0	65	0	480	47	0	527	982
17:00	33	12	65	0	110	46	321	0	0	367	18	0	66	0	84	0	499	46	0	545	1106
17:15	34	13	65	0	112	47	314	0	0	361	25	0	50	2	77	0	517	60	0	577	1127
17:30	27	15	81	0	123	48	287	0	0	335	15	0	61	10	86	0	444	46	0	490	1034
Total Volume	128	67	264	0	459	171	1168	0	0	1339	78	0	222	12	312	0	1940	199	0	2139	4249
% App. Total	27.9	14.6	57.5	0		12.8	87.2	0	0		25	0	71.2	3.8		0	90.7	9.3	0		
PHF	.941	.620	.815	.000	.933	.891	.910	.000	.000	.912	.780	.000	.841	.300	.907	.000	.938	.829	.000	.927	.943

