

**INSTRUCTIONS FOR DOWNLOADING AND SUBMITTING AN EXCEL® PRICE SCHEDULE ONLY  
WHEN RESPONDING TO A SWIFT EVENT**

**STEP**

- 1 A Price Schedule in Excel® (.xls) is attached to the "Line Details" of the Event. You must "download" and save the Excel Price Schedule to your desktop before you can begin filling in your offer and complete the Price Schedule. You must "upload/attach" the completed Price Schedule where directed in the Line Details section of the Event.
- 2 Responses will only be accepted on the Price Schedule included with the Event in Microsoft Excel® 97-2003 Workbook (.xls), or Microsoft Excel®2010 Workbook (.xlsx). **The State reserves the right to reject any Price Schedule not submitted in .xls or .xlsx format.**
- 3 When you have completed your entire response, you must 'upload/attach' the completed Price Schedule and select the 'I HAVE ATTACHED MY PRICE SCHEDULE' check box where directed in the Line Details section of the Event. **DO NOT SELECT 'I DECLINE TO BID ON THIS LINE'**. Selecting this box may cause your response to be rejected.
- 4 If you're having trouble submitting or attaching your Price Schedule, call the Help Desk at 651-201-8100 - Option No.1

**SUBMIT PRICES USING THE PRICE SCHEDULE PROVIDED WITH THE EVENT**

The Price Schedule must be returned in the Excel® format.

**"DO NOT" SUBMIT EXCEL PRICE SCHEDULES AS PDF FILES.**

**The State reserves the right to reject responses if the Excel Price Sheets are submitted as PDF files or any other format not supported by SWIFT.**



**EXHIBIT D**  
**AFTERMARKET TRACTOR, COMPACT LOADER,**  
**WHEEL LOADER ATTACHMENTS**  
**Discount Off List Pricing Info**  
**Specification 3.0**

<b>Vendor Name:</b>	<b>LANO EQUIPMENT, INC. ANOKA</b>
<b>Contact Person:</b>	<b>SCOTT FAHEY</b>
<b>Street Address:</b>	<b>6140 HWY 10 NW</b>
<b>P.O. Box:</b>	
<b>City, State, Zip</b>	<b>ANOKA, MN 55303</b>
<b>Phone #:</b>	<b>612-223-0510</b>
<b>Toll Free #:</b>	<b>888-448-5266</b>
<b>Email Address:</b>	<a href="mailto:scott_f@lanoequip.com">scott_f@lanoequip.com</a>

<u>SPEC NUMBER</u>	<u>INFORMATION REQUESTED</u>	<u>ANSWER</u>
8.1	<u>MANUFACTURER:</u>	ZUIDBERG
8.2	<u>ATTACHMENT DESCRIPTION:</u>	FRONT 3 POINT AND PTO
8.3	<u>PERCENT DISCOUNT (%) TO BE APPLIED TO LIST:</u>	7%
8.4	<u>DATE AND/OR I.D. OF PRICE LIST:</u>	ZUIDBERG NORTH AMERICA 11/2019
8.5	<u>STANDARD WARRANTY TERM</u> (Months/Years):	1 YEAR
8.6	<u>DELIVERY CHARGES: (NO FLAT RATE ALLOWED)</u>	
8.6.1	<u>DELIVERY STARTING POINT:</u> (City) (State, Zip Code)	CEDAR FALLS IA 50613
8.6.2	<u>PRICE PER LOADED MILE:</u>	\$2.50
8.6.3	<u>MINIMUM DELIVERY CHARGE:</u>	\$125
8.7	<u>INSTALLATION SERVICES - \$ PER HOUR</u> (Shop Rate): Installation services may be requested on an "as needed" basis.	\$125

# ZUIDBERG

NORTH AMERICA INC

## KUBOTA

### **KUBOTA L5060 - L5460 - L6060** **List Price**

Front Hitch, 2200 lbs, Cat 1, comes standard with pushbar - Only compatible with Heavy Duty 540 CW PTO	\$3,815
Front PTO, 540 rpm CW - Heavy Duty Front PTO	\$4,667

### **KUBOTA M/ME4900 - M/ME5700** **List Price**

Front Hitch, 3520 lbs	\$6,635
Front PTO, 540 rpm CW	\$6,340
Front PTO, 1000 rpm CCW	\$5,775
Weight Carrier, 1980 lbs	\$649

### **KUBOTA M8200 - M9000 & M8200 Narrow** **List Price**

Front Hitch, 3520 lbs, for M8200 Narrow	\$5,263
Front Hitch, 6200 lbs, for M8200-M9000	\$5,862
Front PTO, 540 rpm CW	\$6,340
Front PTO, 1000 rpm CCW	\$5,775
Weight Carrier, 1980 lbs	\$649

### **KUBOTA M6040 - M7040 Narrow** **List Price**

Front Hitch, 2860 lbs	\$4,855
Front PTO, 540 rpm CW	\$5,301
Front PTO, 1000 rpm CCW	\$5,301
Weight Carrier, 1980 lbs	\$649

### **KUBOTA M6040 - M7040, M6060 - M7060, M8540 - M9540, M8560 - M9960, M4-061 - M4-071, M5-091 - M5-111** **List Price**

Front Hitch, 3960 lbs, for M6040-M7040, M6060-M7060	\$5,435
Front Hitch, 4800 lbs, for M8540-M9540, M8560-M9960, M5-091 - M5-111	\$5,435
Front PTO, 540 rpm CW	\$5,435
Front PTO, 1000 rpm CCW	\$4,996
Push bar support (advised for pushing and/or ground engaging), for M6060-M7060	\$796
Push bar support (advised for pushing and/or ground engaging), for M8560-M9960	\$1,241
Weight Carrier, 1980 lbs	\$649

### **KUBOTA M8540N - M4-071N - M5-091N - M5-111N (Narrow)** **List Price**

Front Hitch, 2860 lbs, for M8540N	\$4,885
Front Hitch, 2860 lbs, for M4N & M5N, comes standard with pushbar	\$5,435
Front PTO, 540 rpm CW	\$5,435
Front PTO, 1000 rpm CCW	\$4,996
Push bar support for M8540N (advised for pushing and/or ground engaging)	\$1,241
Weight Carrier, 1980 lbs	\$649

# ZUIDBERG

## NORTH AMERICA INC

### KUBOTA

<b>KUBOTA M105S</b>	<b>List Price</b>
Front Hitch, 4800 lbs	\$6,205
Front PTO, 1000 rpm CCW	\$5,775
Weight Carrier, 1980 lbs	\$649

<b>KUBOTA M108S - M6S-111</b>	<b>List Price</b>
Front Hitch, 6200 lbs	\$6,205
Front PTO, 540 rpm CW	\$6,323
Front PTO, 1000 rpm CCW	\$5,775
Push bar support (advised for pushing and/or ground engaging)	\$1,386
Weight Carrier, 1980 lbs	\$649

<b>KUBOTA M100X - M110X</b>	<b>List Price</b>
Front Hitch, 6200 lbs	\$6,944
Front PTO, 540 rpm CW	\$6,868
Front PTO, 1000 rpm CCW	\$6,308
Push bar support (advised for pushing and/or ground engaging)	\$1,693
Weight Carrier, 1980 lbs	\$636

<b>KUBOTA M100GX - M110GX - M6-101 - M6-111</b>	<b>List Price</b>
Front Hitch, 6200 lbs, comes standard with push bar support	\$5,758
Front PTO, 540 rpm CW	\$5,543
Front PTO, 1000 rpm CCW	\$4,989
Siderail kit (advised for pushing and/or ground engaging)	\$1,066
Weight Carrier, 1980 lbs	\$649

<b>KUBOTA M126X - M128X - M130X - M135X</b>	<b>List Price</b>
Front Hitch, 6200 lbs, comes standard with push bar support	\$6,205
Front PTO, 1000 rpm CCW	\$5,775
Weight Carrier, 1980 lbs	\$712

<b>KUBOTA M126GX - M128GX - M130GX - M135GX - M6-131 - M-141</b>	<b>List Price</b>
Front Hitch, 4840 lbs	\$4,886
Front Hitch, 7700 lbs, comes standard with push bar support	\$7,960
Front PTO, 1000 rpm CW or CCW	\$6,142
push bar support (advised for pushing and/or ground engaging) <b>For 7700 lbs hitch ONLY</b>	\$2,169
Weight Carrier, 1980 lbs	\$650

# ZUIDBERG

## NORTH AMERICA INC

### KUBOTA

<b>KUBOTA M7-131 - M7-151 - M7-171</b>	<b>List Price</b>
Front Hitch, 8800 lbs	\$5,902
Front PTO, 1000 rpm CW or CCW	\$6,395
Push bar support (advised for pushing and/or ground engaging)	\$1,729
Pushbar update kit - Needed to mount after-market pushbar to OEM (Zuidberg) front hitch on Kubota M7	\$274
Weight Carrier, 1980 lbs	\$649
<b>OPTIONS</b>	<b>List Price</b>
Front remote aux lines	\$417
Chain support set, for for mower chains	\$246
Accumulator, Small (Under 7700 lbs)	\$343
Accumulator, Large (7700 lbs and over)	\$469
Front remote control (only for tractors with electronic valves)	\$699
Heavy Duty Lift Arm Kit (advised for pushing and/or ground engaging)	\$1,228
Torsion Tube update kit for front hitches 1760 - 2200 lbs. - Torsion tube + mounting hardware. Dealer needs to drill holes in lower lift arms	\$357
Torsion Tube update kit for front hitches 4850 - 13,200 lbs - Torsion tube + mounting hardware. Dealer needs to drill holes in lower lift arms	\$823
<b>NOTE</b>	<b>List Price</b>
Other models not mentioned in the pricelist	At Request
Installation of front 3pt hitch and PTO	Please call

# ZUIDBERG

## NORTH AMERICA INC

### Front Hitch Accessories

	List Price
<b>Front Auxiliary remotes</b>	
Front hydraulic remotes (Double acting service lines) 2 hydraulic lines, dust caps, female connectors, and fittings on the back of the tractor	\$417
<b>Accumulator</b>	
<b>Small Accumulator:</b> Hitch suspension (Front Hitch soft ride control in single acting mode) for hitches 7700 lbs and smaller but limits front hitch lifting capacity up to 3%	\$342
<b>Large Accumulator:</b> Hitch suspension (Front hitch soft ride control in single acting mode) for hitches from 7700 lbs - 13200 lbs but limits front hitch lifting capacity up to 3%	\$469
<b>Chain Hangers</b>	
To control depth by chains or springs for front mowers - cross-bar version, and top plate version (Note: <b>ONLY</b> on Universal kit, Must drill own holes through front hitch frame to mount hooks)	\$246
<b>Implement "A" frame</b>	
Quick attach "A" (front or rear 3pt hitch) Frame Width Cat I	\$627
Quick attach "A" (front or rear 3pt hitch) Frame Width Cat II	\$556
<b>Lowering speed adjustment kit</b>	
Lowering speed adjustment kit (load independent) Can adjust the lowering speed of the front hitch in single acting mode	\$197
<b>Limitation kit</b>	
Position limitation kit of front hitch - Can be manually programmed for height or depth control of front linkage	\$1,043
<b>Light kit</b>	
Universal light kit for extra light at night, tractor front mounted and cab mounted versions	\$581
<b>Pressure gauge</b>	
Universal pressure gauge set for Accumulator pressure	\$231
<b>Heavy Duty Lower Lift Arm Kits</b>	
Heavy Duty Arm kit for front hitches 4850 - 11,000 lbs - Full exchange kit with pre-drilled lower lift arms	\$1,229
Torsion Tube update kit for front hitches 1760 - 2200 lbs. - Torsion tube + mounting hardware. Dealer needs to drill holes in lower lift arms	\$357
Torsion Tube update kit for front hitches 4850 - 13,200 lbs - Torsion tube + mounting hardware. Dealer needs to drill holes in lower lift arms	\$823
<b>Short Lift Arm Kits</b>	
Kit short liftarms, for hitches 2850 - 11,000 lbs. Max. lift capacity must be obeyed: See linkage serial number plate	\$763

All offers and transactions by Zuidberg and its business relationship with any party are exclusively governed by the General Terms and Conditions of Sale and Delivery of Zuidberg. A copy of which can be found at <https://www.zuidbergna.com/terms-conditions/>. 11/2019

# ZUIDBERG

## NORTH AMERICA INC

### Front PTO's and Accessories

Hydraulic Toplinks	List Price
Cat 3 Hydraulic Toplink	\$1,003

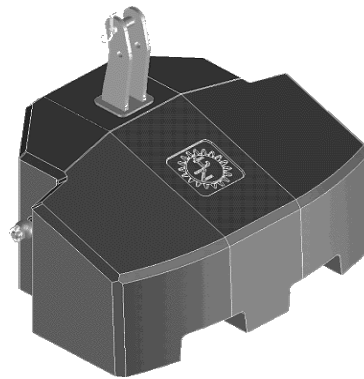
Gearbox	List Price
Gearbox PA2, 1000rpm, CCW 1-3/8, 6 or 21 spline - plain gearbox without ANY hardware and mounting plates	\$3,808
Gearbox PA3/PA4, 1000rpm , CW or CCW 1-3/8, 6 or 21 spline - plain gearbox without ANY hardware and mounting plates	\$4,874
Gearbox PF3, 540rpm, CW 1-3/8, 6 spline - plain gearbox without ANY hardware and mounting plates	\$4,498
Gearbox PN3/PN4, 1000rpm , CW or CCW 1-3/8, 6 or 21 spline or 1-3/4, 20 spline - plain gearbox without ANY hardware an mounting plates	\$5,289
Gearbox PY2/PY3, 1000rpm, CW or CCW, 1-3/8, 6 or 21 spline - plain gearbox without ANY hardware or mounting plates	\$4,644

Large Plate Cooler	List Price
Large Plate Cooler in exchange for standard plate cooler (NOTE: Customer must make new or modify mounting brackets to hold large plate cooler)	\$550

### Block Weights

800kg (1760 lbs) Concrete Weight, Mix Died, Black	List Price
Not compatible with Heavy Duty Arm Kit Tube	\$1,235



All offers and transactions by Zuidberg and its business relationship with any party are exclusively governed by the General Terms and Conditions of Sale and Delivery of Zuidberg. A copy of which can be found at <https://www.zuidbergna.com/terms-conditions/>.11/2019



# ZUIDBERG

NORTH AMERICA INC

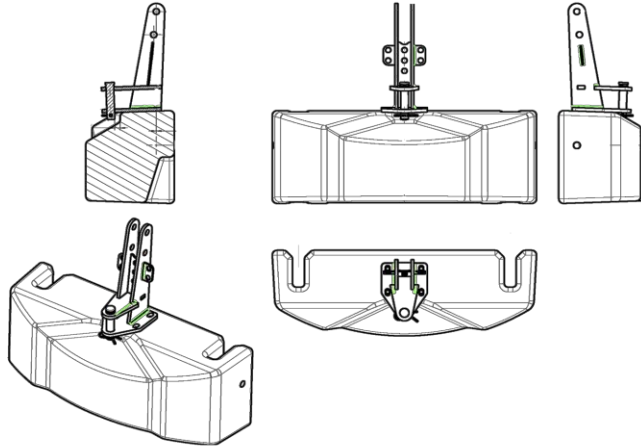
## Block Weights (Continued)

850kg (1870 lbs) Steel (cast iron) weight, Black

On special order: AGCO grey

List Price

\$3,009



1400kg (3080 lbs) Steel (cast iron) weight, Black

On special order: AGCO grey

List Price

\$4,624

